

Caserta - 24"

Specification & Installation Guide

Features

- Free standing 24" vanity : 33-1/16"(840mm)H x 18-1/8"(460mm)D x 23-5/8" (600mm)W
- Furniture grade plywood layered with solid wood veneer and protected with several coats of polyurethane.
- Matching finish inside out
- Two soft-close doors
- Interior bottom drawer with full extension soft-close European hardware
- Handles: Stainless steel finish (Polished chrome finish optional)

Finishes

- Glossy White (GW)
- Walnut (WA)

Top/Basin options

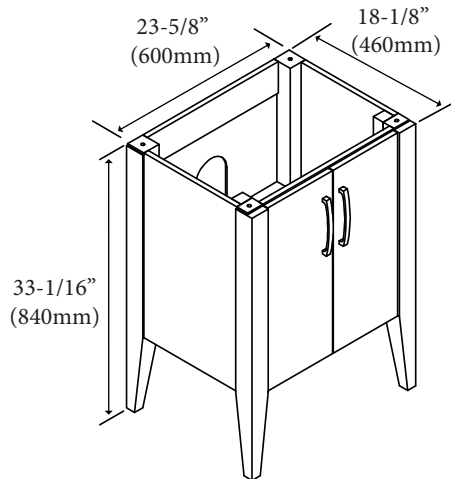
- White or soft Grey Quartzstone™ top & white under mount ceramic basin
- Glossy White X-Stone top/basin
- Ceramic basin
- Tempered glass top/basin
- Glossy or Matte White X-Stone flat top
- Glossy White or Walnut wood countertop

Package Dimension

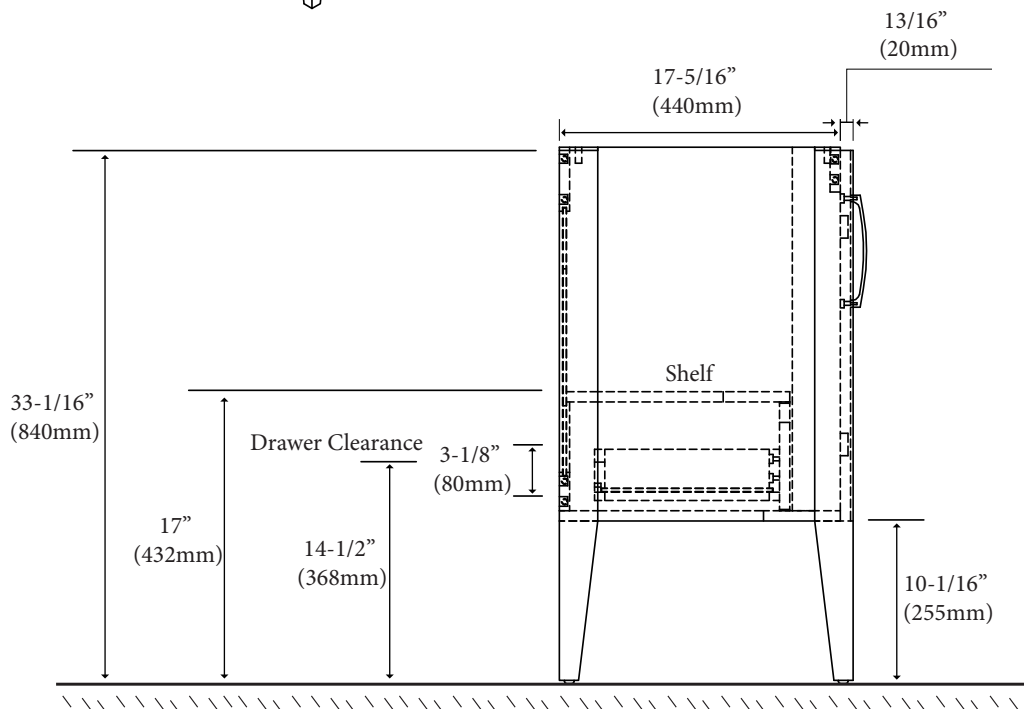
26" x 22" x 37"

Gross Weight

62 lbs / 28.18 kgs



SIDE VIEW



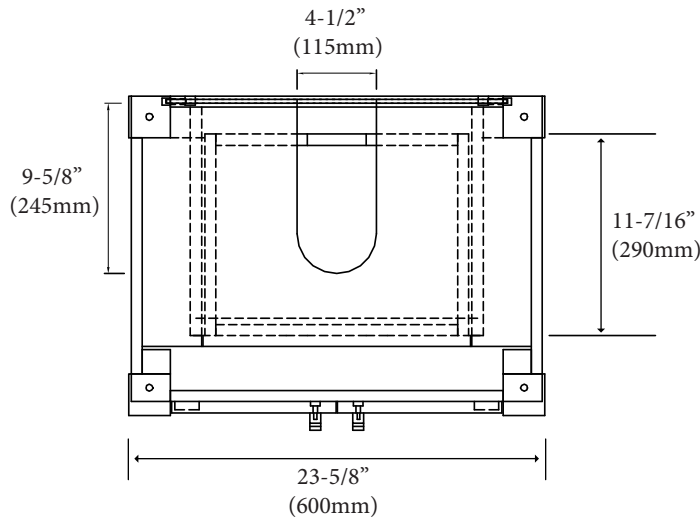
For clarification, please contact Madeli Customer Care at (800)-819-6988 or (305)-718-8817 Ext. 1

All dimensions are approximate and subject to standard tolerance. Specifications subject to change without prior notice.

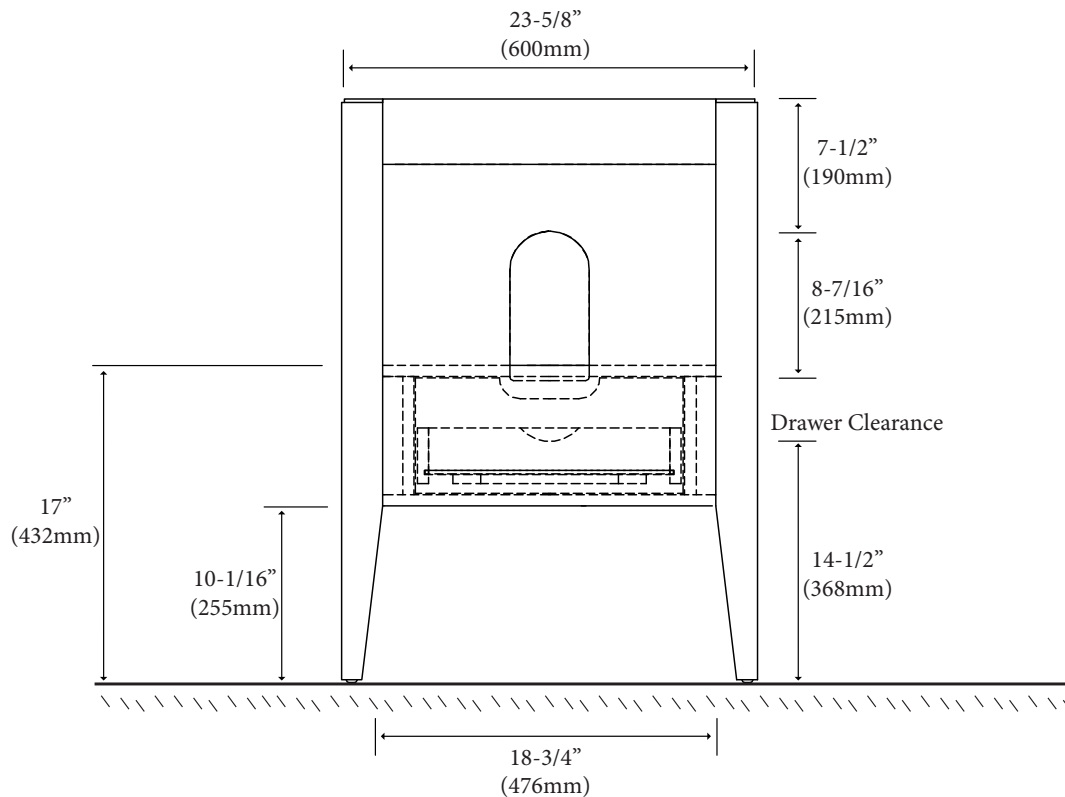
Caserta - 24"

Specification & Installation Guide

TOP VIEW



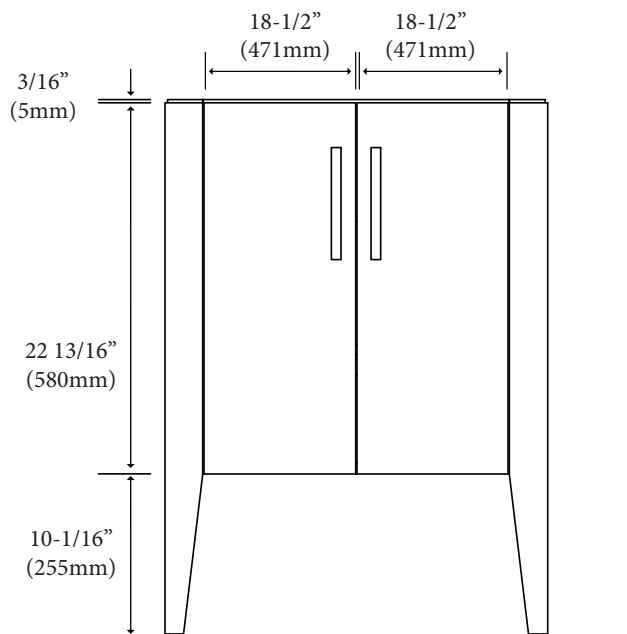
BACK VIEW



Caserta - 24"

Specification & Installation Guide

FRONT VIEW



ROUGH-IN DIMENSIONS

