

Vicenza - 42"

Specification & Installation Guide

Features

- Free Standing 42" vanity: 32-1/16" (815mm)H x 22"(559mm)D x 41-5/8" (1058mm)W
- Furniture grade plywood layered with solid wood veneer and protected with several coats of polyurethane (No particle board or MDF used).
- Matching finish inside out
- Two drawers of different depths with full-extension soft-close European hardware.
- The bottom drawer includes adjustable tempered glass dividers.
- Handle and legs: Polished chrome finish

Colors/Finishes

- Ash Grey (AG)
- Glossy White (GW)
- Walnut (WA)

Top/Basin options

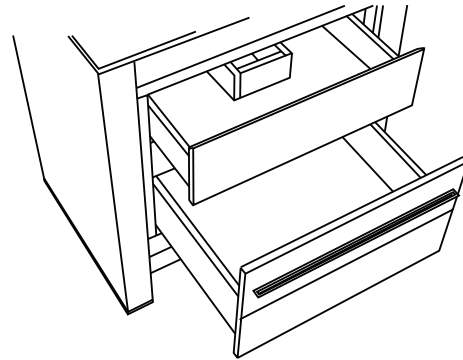
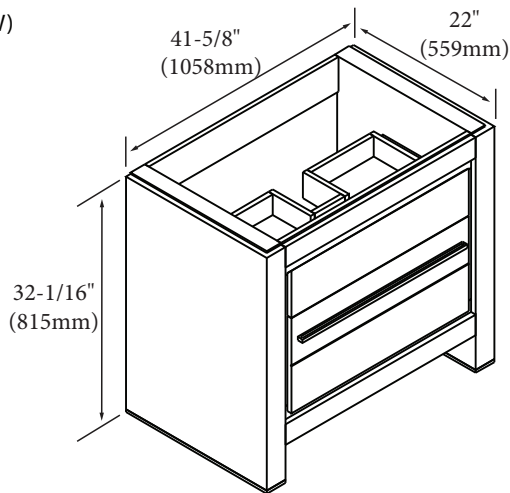
- White or Soft Grey Quartzstone™ top & white under mount ceramic basin
- Glossy White X-Stone top/basin
- Tempered glass top and ceramic basin
- Glossy or Matte White X-Stone flat top with any other suitable above-counter vessels

Package Dimensions

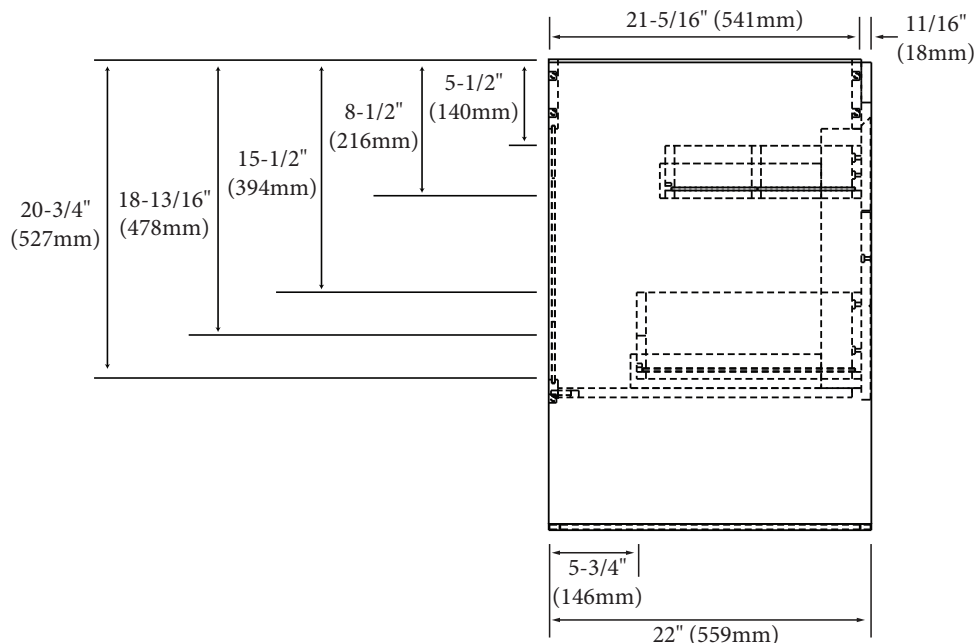
43" x 26" x 35"

Weight

152 lbs. / 69 kgs.



SIDE VIEW



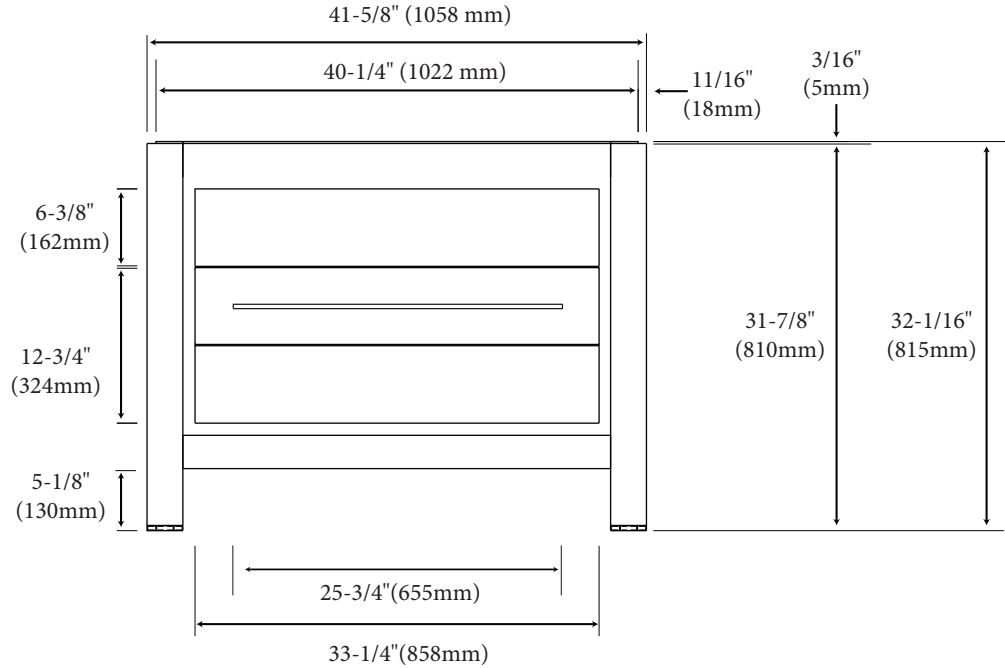
For clarification, please contact Madeli Customer Care at (800)-819-6988 or (305)-718-8817 Ext. 1

All dimensions are approximate and subject to standard tolerance. Specifications subject to change without prior notice.

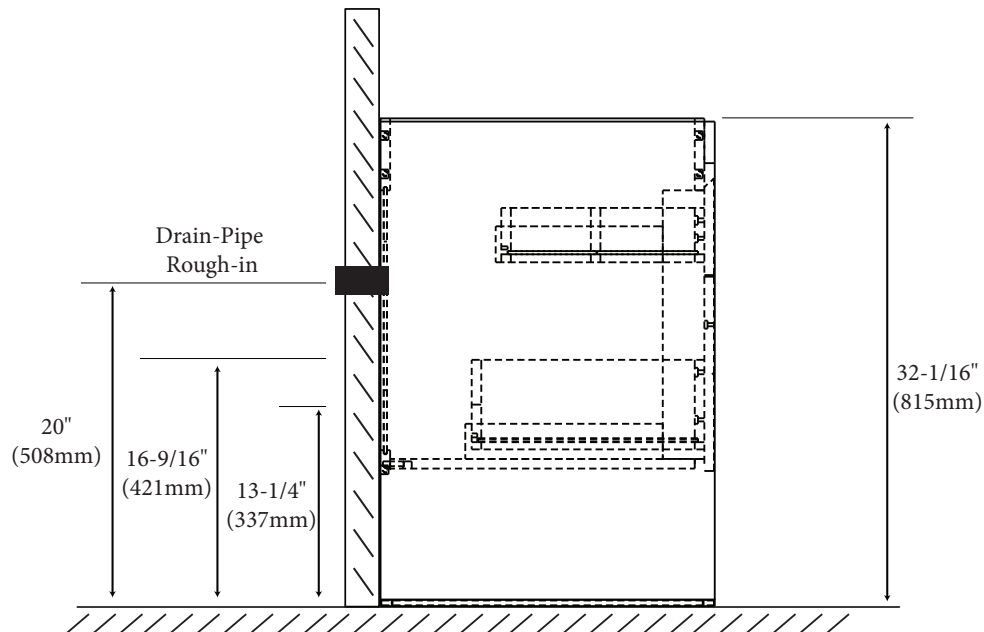
Vicenza - 42"

Specification & Installation Guide

FRONT VIEW



ROUGH-IN DIMENSIONS



For clarification, please contact Madeli Customer Care at (800)-819-6988 or (305)-718-8817 Ext. 1

All dimensions are approximate and subject to standard tolerance. Specifications subject to change without prior notice.