

Specifications and Installation Guide

B810-Silhouette Free Standing Vanity Collection

Models

- B810-24-001-XX
- B810-30-001-XX

- B810-36-001-XX
- B810-42-001-XX

- B810-48C-001-XX
- B810-48D-001-XX

- B810-60D-001-XX
- B810-72D-001-XX

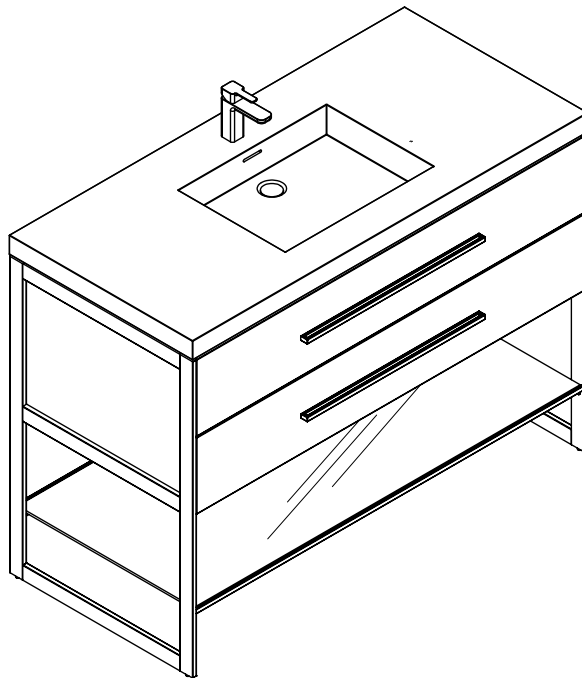


Table of Contents

	Page / Page
Specifications 24/30/36/42/48C.....	2
Specifications 48D.....	3
Specifications 60D/72D.....	4
Typical Installation.....	5
Installation Steps.....	6

For clarification, please contact Madeli Customer Care at (800) 819-6988 Ext.1 or service@madeli.com
 Pour plus de précisions, veuillez contacter le service client Madeli au (800) 819-6988 Ext.1 ou service@madeli.com

Silhouette - 24"/30"/36"/42"/48" - Single Bowl

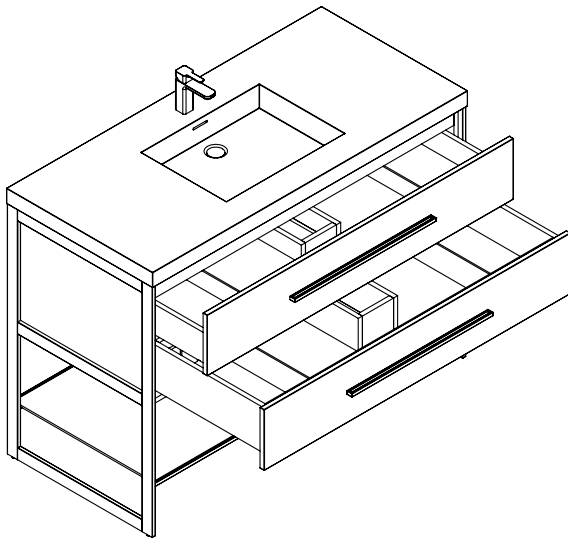
Cabinet Specifications

Features

- Free standing vanity
- Bathroom Furniture grade plywood layered with solid wood veneer protected by polyurethane or finished with premium polyurethane solid color paints
- Matching finish inside out
- Two fully adjustable drawers with full-extension soft-close European hardware.
- Top and Bottom drawers include adjustable tempered glass dividers
- Tempered soft-frost glass shelf.
- Handle and legs in Polished Chrome (PC), Brushed Nickel (BN), Polished Nickel (PN), Matte Black (MB) and Satin Brass (SB) finishes.
- Ships fully assembled except for tempered glass shelf.

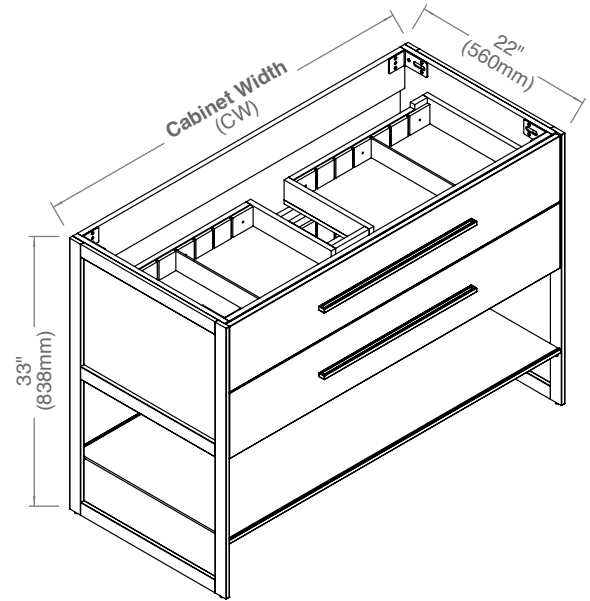
Colors/Finishes

- Ash Grey (AG)
- Brandy (BR)
- White (WH)
- Sapphire (SA)

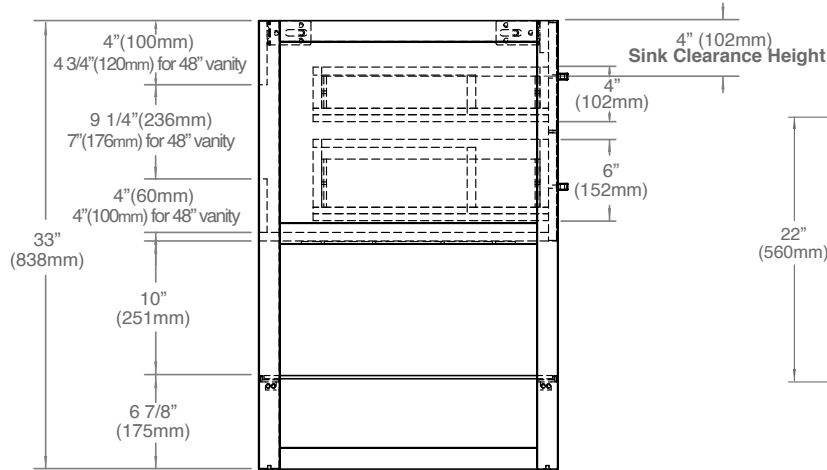


Top/Basin options

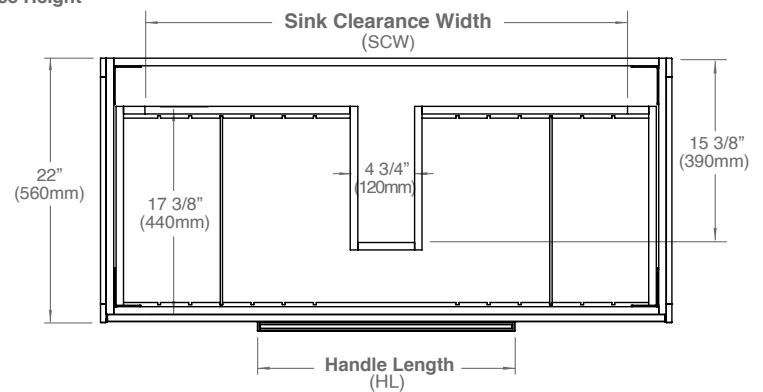
- Tempered glass countertop /Ceramic basin
- Glossy White X-Stone 2"H top/basin
- Glossy White X-Stone 4-1/2" H Trough sink
- Glossy or Matte White X-Stone countertop/no holes
- Glossy or Matte White X-Stone countertop/Ceramic basin
- Quartzstone™ 3"H countertop/under mount ceramic basin



SIDE VIEW



TOP VIEW



MODEL	CW	SCW	HL	Package Dimensions	Weight
B810-24-001-XX	23 5/8" (600mm)	16 1/4" (412mm)	10 5/8" (270mm)	27"(686) x 25"(635) x 35"(889)	100 lbs / 46 Kgs
B810-30-001-XX	29 5/8" (753mm)	22 1/4" (565mm)	14" (355mm)	33"(838) x 25"(635) x 35"(889)	120 lbs / 55 Kgs
B810-36-001-XX	35 5/8" (905mm)	28 1/4" (717mm)	16" (406mm)	39"(990) x 25"(635) x 35"(889)	140 lbs / 64 Kgs
B810-42-001-XX	41 5/8" (1058mm)	34 1/4" (870mm)	19 3/4" (503mm)	45"(1143) x 25"(635) x 35"(889)	160 lbs / 73 Kgs
B810-48C-001-XX	47 5/8" (1210mm)	40 1/4" (1022mm)	21 1/2" (545mm)	51"(1295) x 25"(635) x 35"(889)	180 lbs / 82 Kgs

For clarification, please contact Madeli Customer Care at (800) 819-6988 Ext.1 or service@madeli.com

All dimensions are approximate and subject to standard tolerance. Specifications subject to change without prior notice.

Silhouette - 48" - Double Bowl

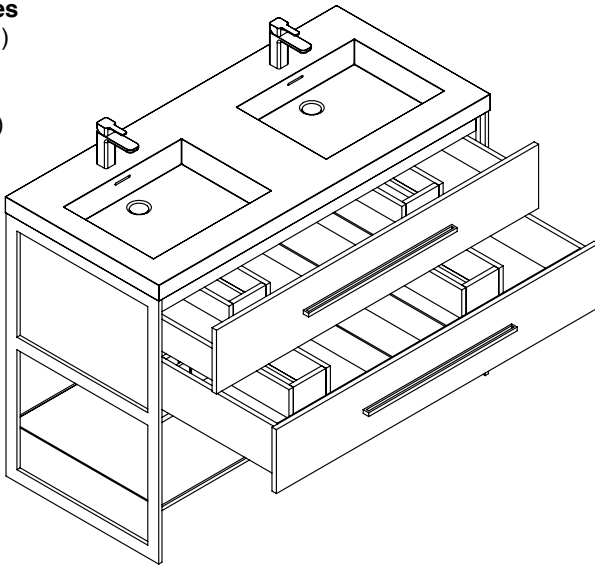
Cabinet Specifications

Features

- Free standing vanity
- Bathroom Furniture grade plywood layered with solid wood veneer protected by polyurethane or finished with premium polyurethane solid color paints
- Matching finish inside out
- Two fully adjustable drawers with full-extension soft-close European hardware.
- Top and Bottom drawers include adjustable tempered glass dividers
- Tempered soft-frost glass shelf.
- Handle and legs in Polished Chrome (PC), Brushed Nickel (BN), Polished Nickel (PN), Matte Black (MB) and Satin Brass (SB) finishes.
- Ships fully assembled except for tempered glass shelf.

Colors/Finishes

- Ash Grey (AG)
- Brandy (BR)
- White (WH)
- Sapphire (SA)



Top/Basin options

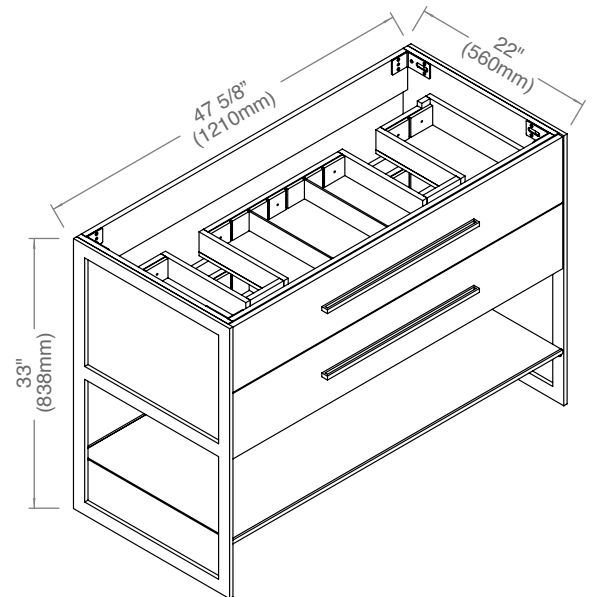
- Glossy White X-Stone 2"H top/basin
- Glossy White X-Stone 4-1/2" H Trough sink

Package Dimensions

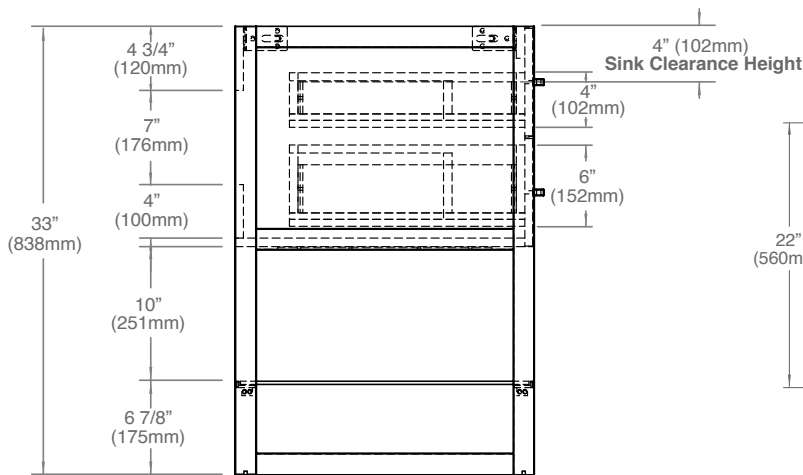
51"(1295) x 25"(635) x 35"(889)

Weight

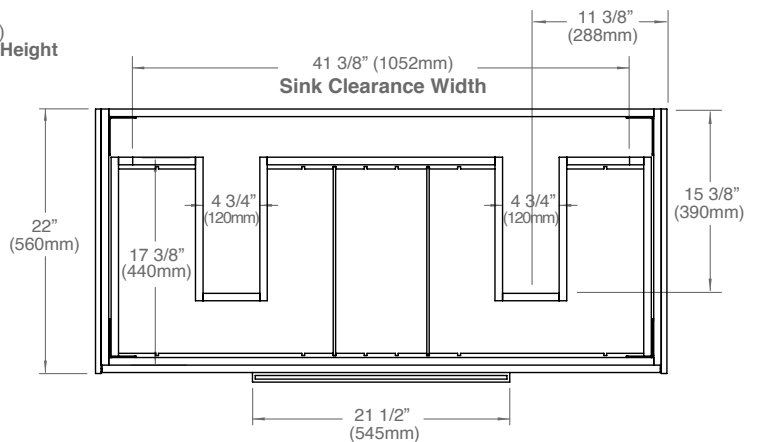
180 lbs / 82 Kgs



SIDE VIEW



TOP VIEW



For clarification, please contact Madeli Customer Care at (800) 819-6988 Ext.1 or service@madeli.com

All dimensions are approximate and subject to standard tolerance. Specifications subject to change without prior notice.

Silhouette - 60"/72" - Double Bowl

Cabinet Specifications

Features

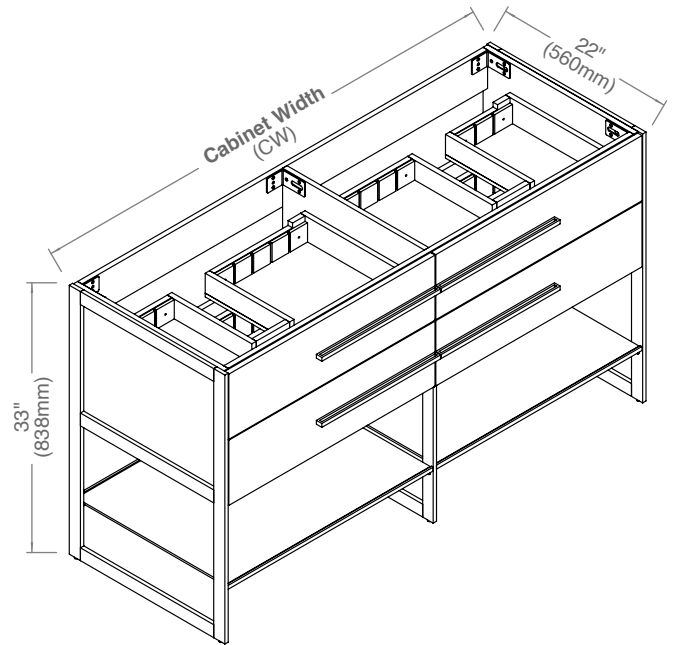
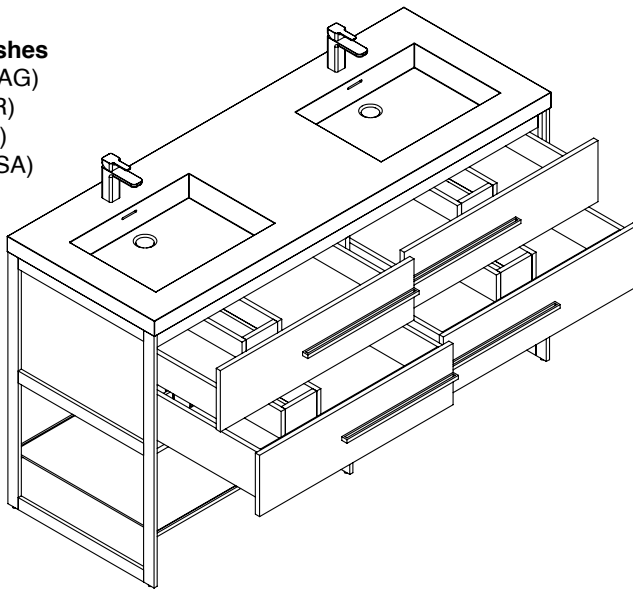
- Free standing vanity
- Bathroom Furniture grade plywood layered with solid wood veneer protected by polyurethane or finished with premium polyurethane solid color paints
- Matching finish inside out
- Four fully adjustable drawers with full-extension soft-close European hardware.
- Top and Bottom drawers include adjustable tempered glass dividers
- Tempered soft-frost glass shelf.
- Handle and legs in Polished Chrome (PC), Brushed Nickel (BN), Polished Nickel (PN), Matte Black (MB) and Satin Brass (SB) finishes.
- Ships fully assembled except for tempered glass shelf.

Top/Basin options

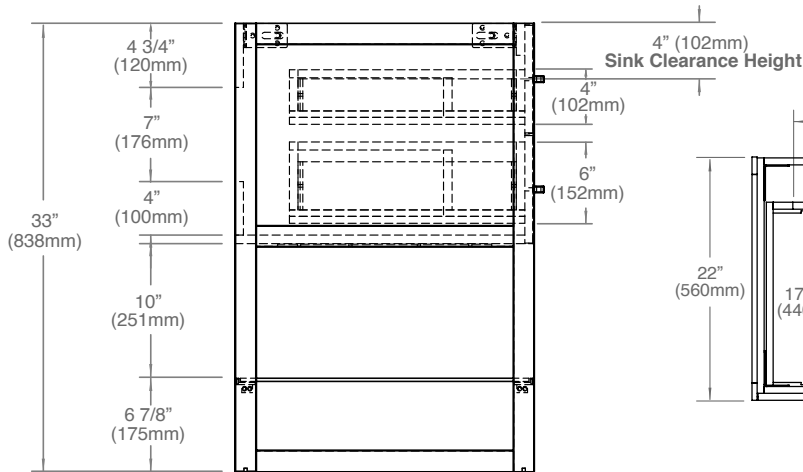
- Tempered glass countertop /Ceramic basin
- Glossy White X-Stone 2"H top/basin
- Glossy White X-Stone 4-1/2" H Trough sink
- Glossy or Matte White X-Stone countertop/no holes
- Glossy or Matte White X-Stone countertop/Ceramic basin
- Quartzstone™ 3"H countertop/under mount ceramic basin

Colors/Finishes

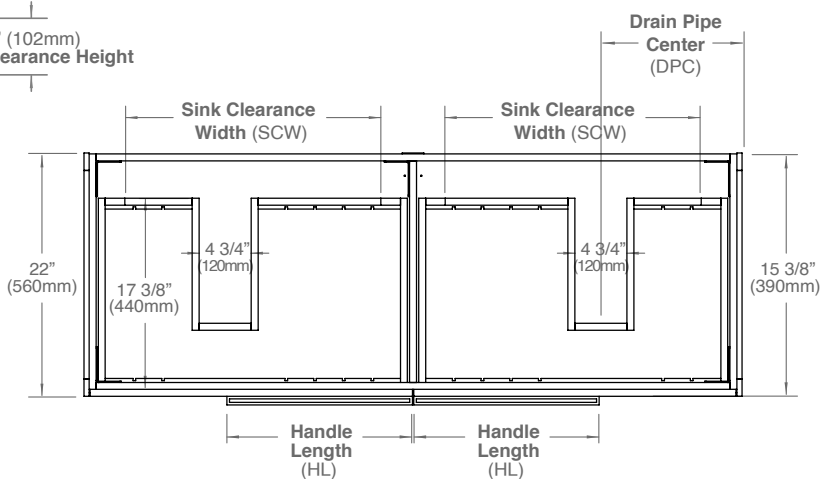
- Ash Grey (AG)
- Brandy (BR)
- White (WH)
- Sapphire (SA)



SIDE VIEW



TOP VIEW



MODEL	CW	SCW	DPC	HL	Package Dimensions	Weight
B810-60D-001-XX	59 5/8" (1515mm)	23 1/4" (590mm)	12 3/4" (325mm)	16 3/4" (427mm)	63"(1601) x 25"(635) x 35"(889)	252 lbs / 114 Kgs
B810-70D-001-XX	71 5/8" (1820mm)	29 1/4" (742mm)	14 3/8" (365mm)	21 1/2" (545mm)	75"(1906) x 25"(635) x 35"(889)	303 lbs / 137 Kgs

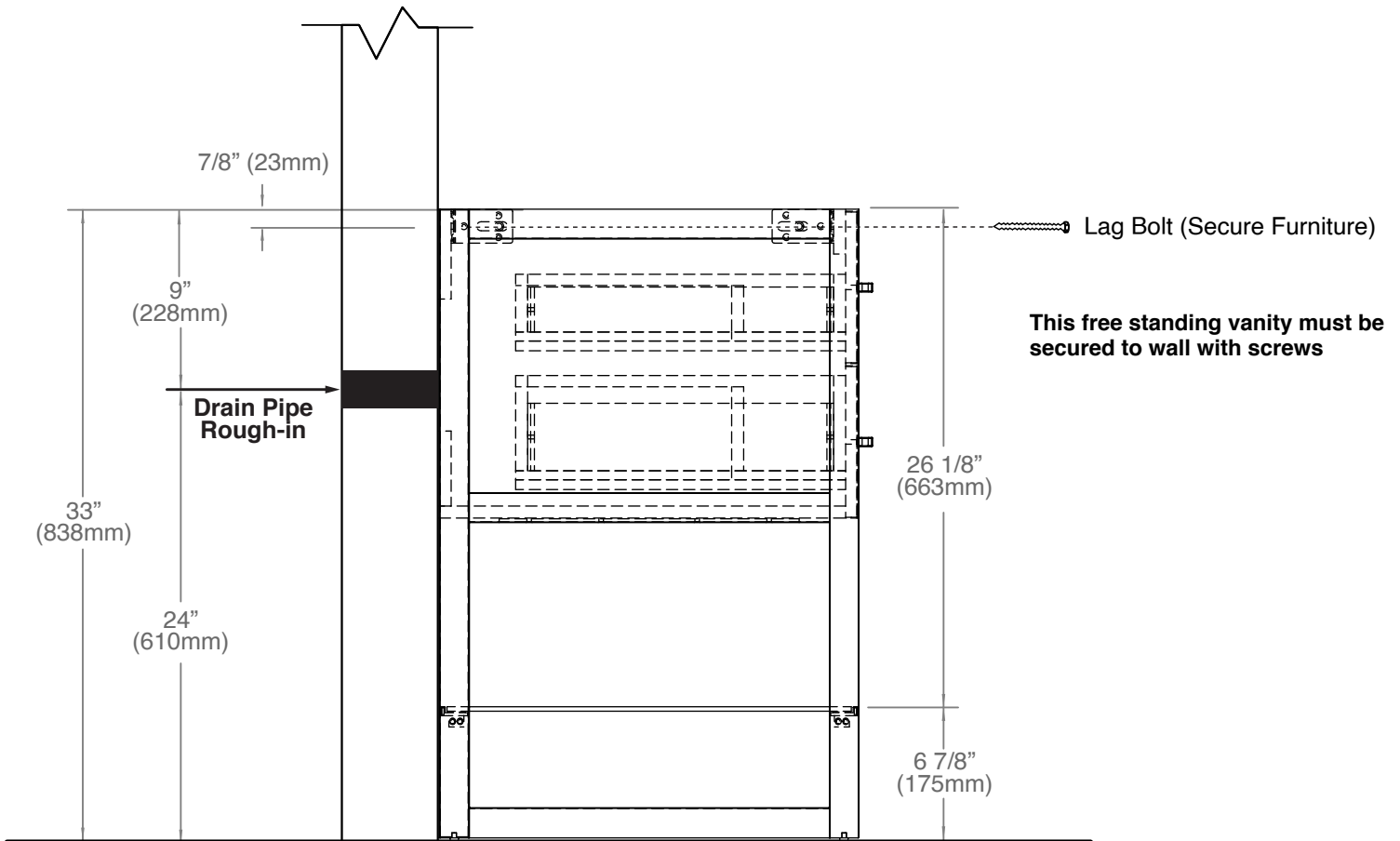
For clarification, please contact Madeli Customer Care at (800) 819-6988 Ext.1 or service@madeli.com

All dimensions are approximate and subject to standard tolerance. Specifications subject to change without prior notice.

Silhouette - FREE STANDING VANITY

Installation Guide

TYPICAL INSTALLATION



ACCESSORI FOR INSTALLATION



Anchors
x2
(x6 for 60D & 72D)



Lag Bolts
5/16 x 1 1/2"
x2
(x6 for 60D & 72D)



Silicone
(Not Included)

Silhouette - FREE STANDING VANITY

Installation Guide

INSTALLATION STEPS

- 1) Place cabinet in position.
- 2) Level cabinet (shim as needed).
- 3) Secure cabinet with screws in drywall studs.
- 4) Install tempered glass shelf.
- 5) Install countertop with silicone.

This free standing vanity must be secured to wall with screws as shown below.

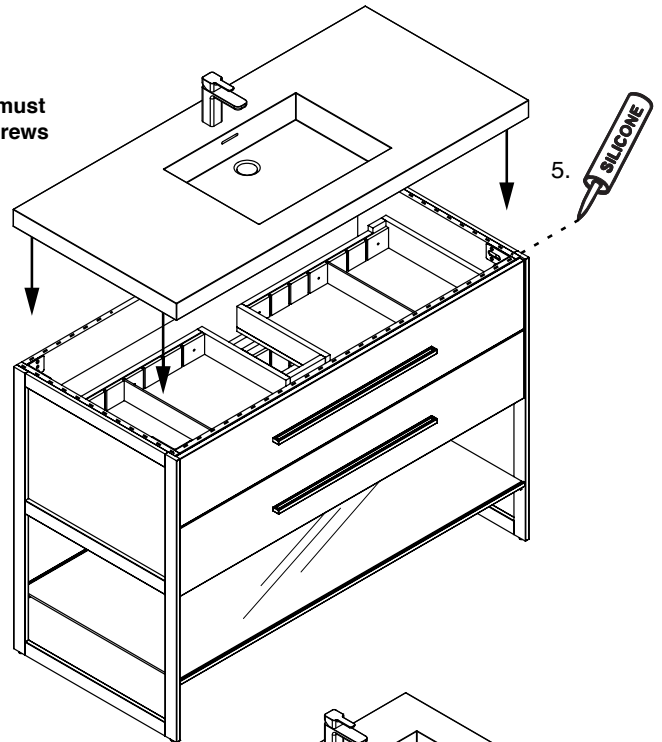
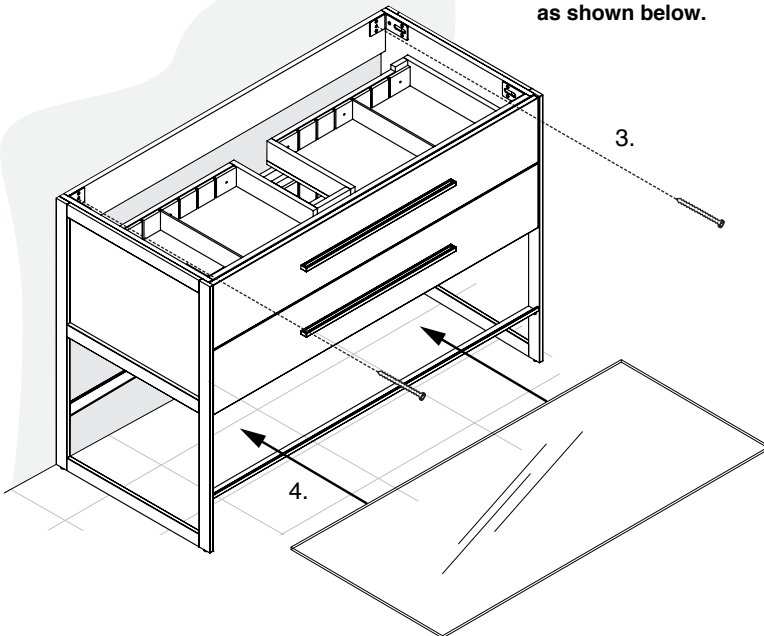
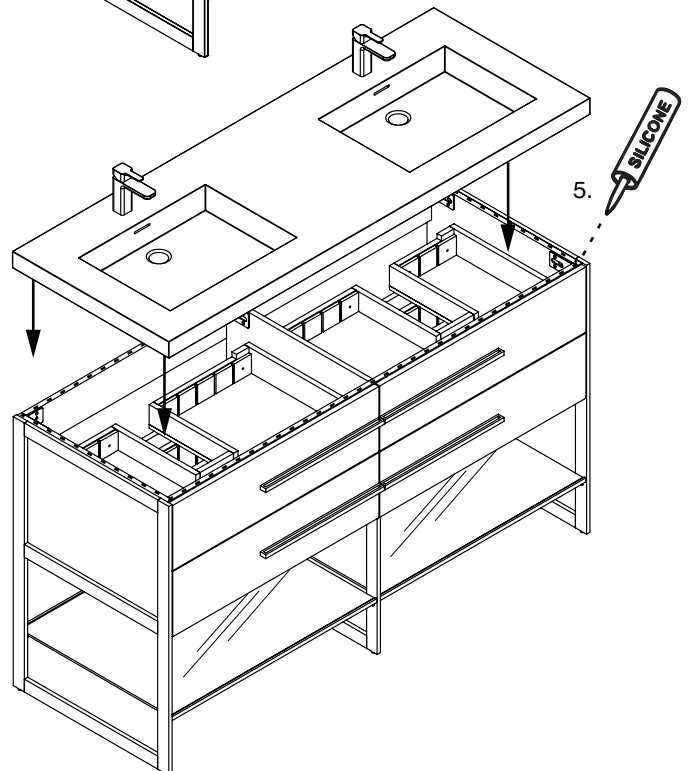
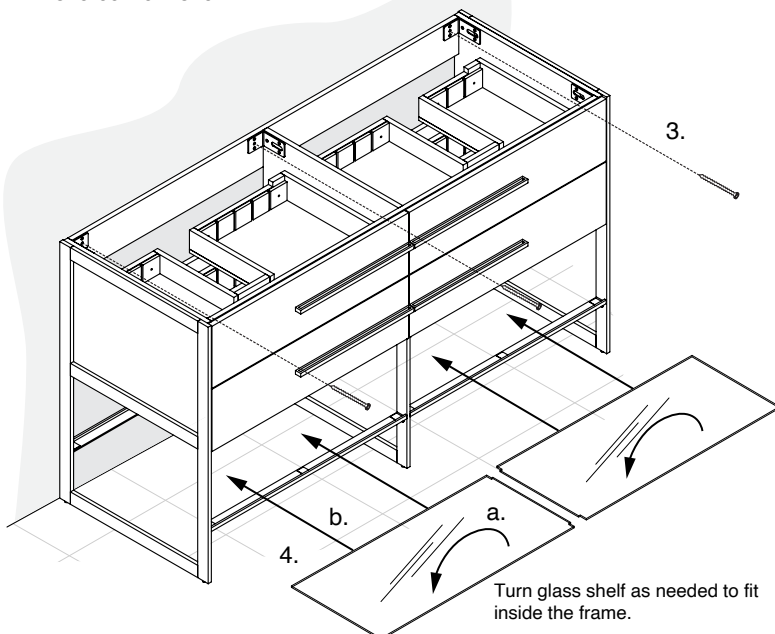


Illustration for models
B810-60D & B810-72D



For clarification, please contact Madeli Customer Care at (800) 819-6988 Ext.1 or service@madeli.com
All dimensions are approximate and subject to standard tolerance. Specifications subject to change without prior notice.