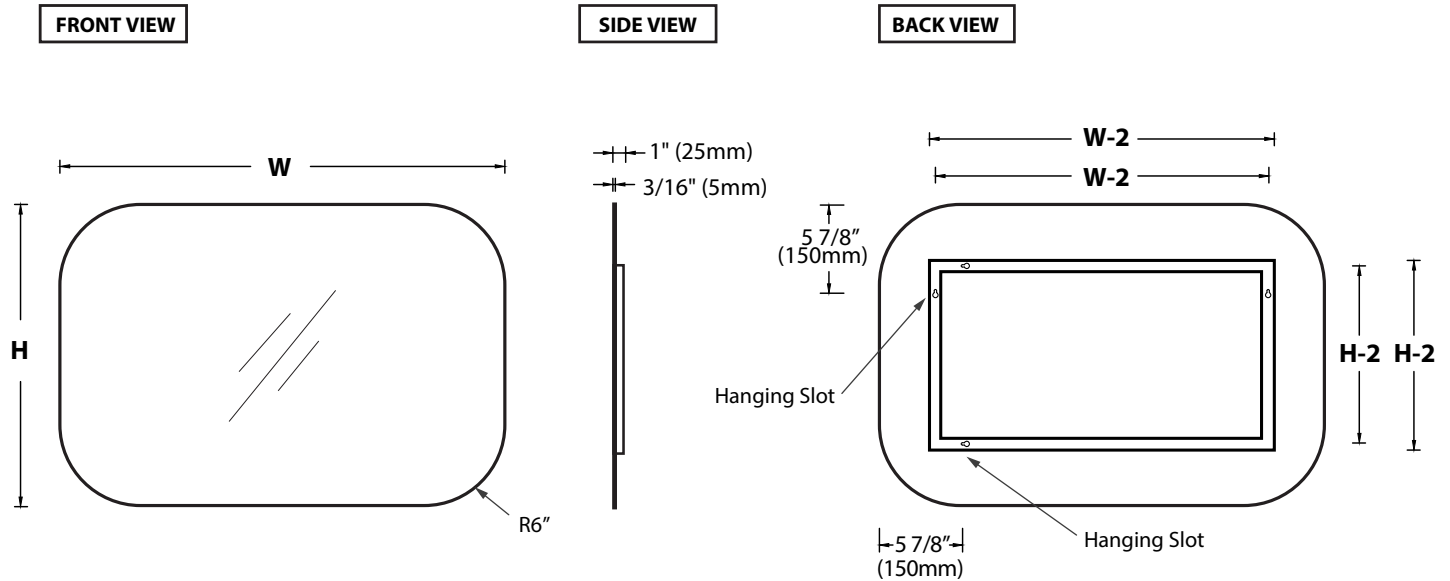


Euro Mirror Collection

Specification & Installation Guide



Features

- Wall hung frameless mirror
- Designer "floating" look with 6" round corners
- Dual installation: mirror can be hung in long or short direction
- Recessed/hidden aluminum support frame

MODEL	W	H	W-2	H-2	W-3	H-3	PACKAGE	GROSS WEIGHT
RL-PT2420-003-AL	24" (610mm)	20" (508mm)	17" (432mm)	12 11/16" (322mm)	16 1/4" (413mm)	11 7/8" (302mm)	27" x 23" x 3"	11lbs/5kgs
RL-PT3020-003-AL	30" (762mm)	20" (508mm)	23" (584mm)	12 11/16" (322mm)	22 1/4" (565mm)	11 7/8" (302mm)	33" x 23" x 3"	14.19lbs/6.45kgs
RL-PT3620-003-AL	36" (914mm)	20" (508mm)	29" (737mm)	12 11/16" (322mm)	28 1/4" (718mm)	11 7/8" (302mm)	39" x 23" x 3"	17lbs/7.73kgs
RL-PT4820-003-AL	48" (1219mm)	20" (508mm)	41" (1042mm)	12 11/16" (322mm)	40 1/4" (1022mm)	11 7/8" (302mm)	51" x 23" x 3"	22lbs/10kgs

For clarification, please contact Madeli Customer Care at (800) 819-6988 Ext.1 or service@madeli.com

All dimensions are approximate and subject to standard tolerance. Specifications subject to change without prior notice.