

## Euro - 30"

## Specification & Installation Guide

### Features

- Wall hung 30" vanity : 17-1/8"(435mm)H x 17-3/4"(450mm)D x 28-3/4"(730mm)W
- Furniture grade plywood layered with solid wood veneer and protected with several coats of polyurethane.
- Matching finish inside out
- One fully adjustable drawer with full extension soft-close European hardware
- Interior magazine rack
- Glass side retainers

### Colors/Finishes

- Ash Grey (AG)
- Glossy White (GW)
- Walnut (WA)

### Top/Basin options

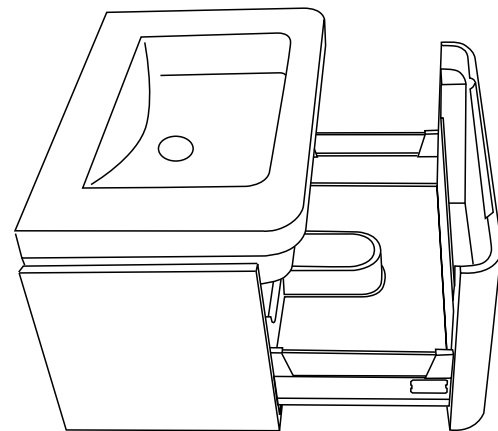
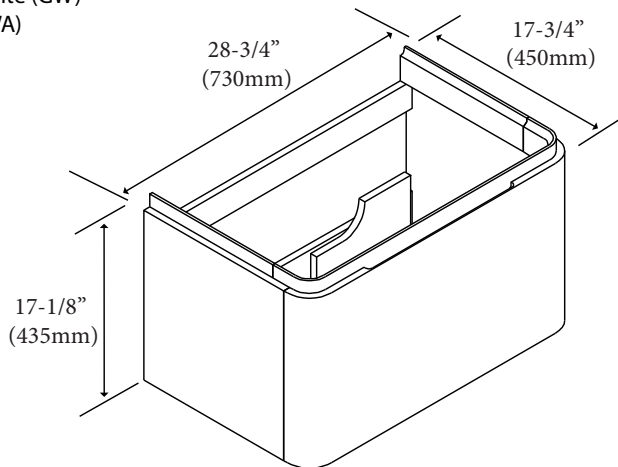
- Glossy White X-Stone top/basin
- Ceramic basin

### Package Dimension

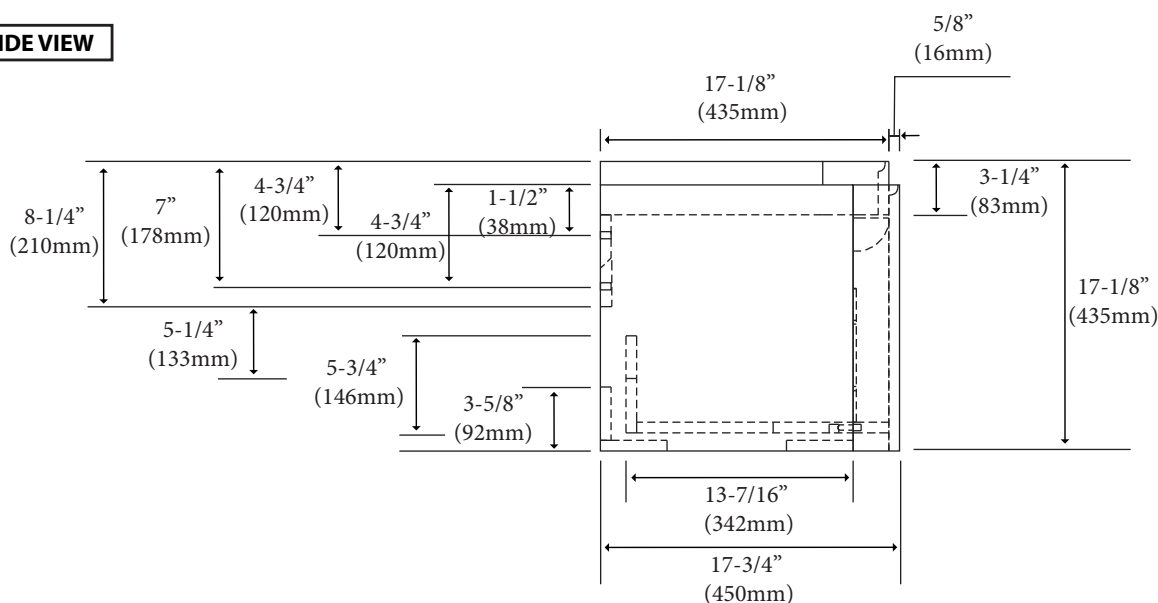
31" x 21" x 20"

### Gross Weight

52 lbs / 23.64 kgs



### SIDE VIEW



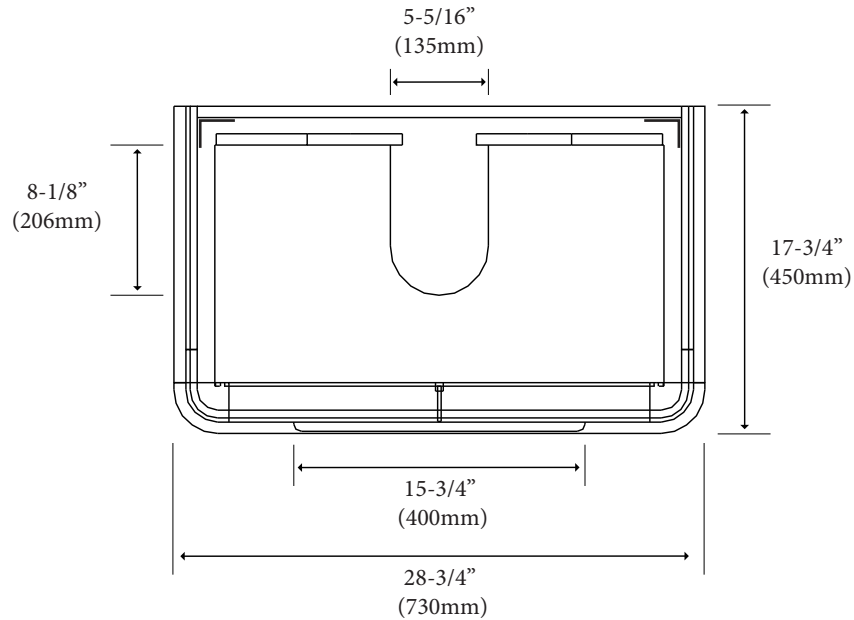
**For clarification, please contact Madeli Customer Care at (800)-819-6988 or (305)-718-8817 Ext. 1**

All dimensions are approximate and subject to standard tolerance. Specifications subject to change without prior notice.

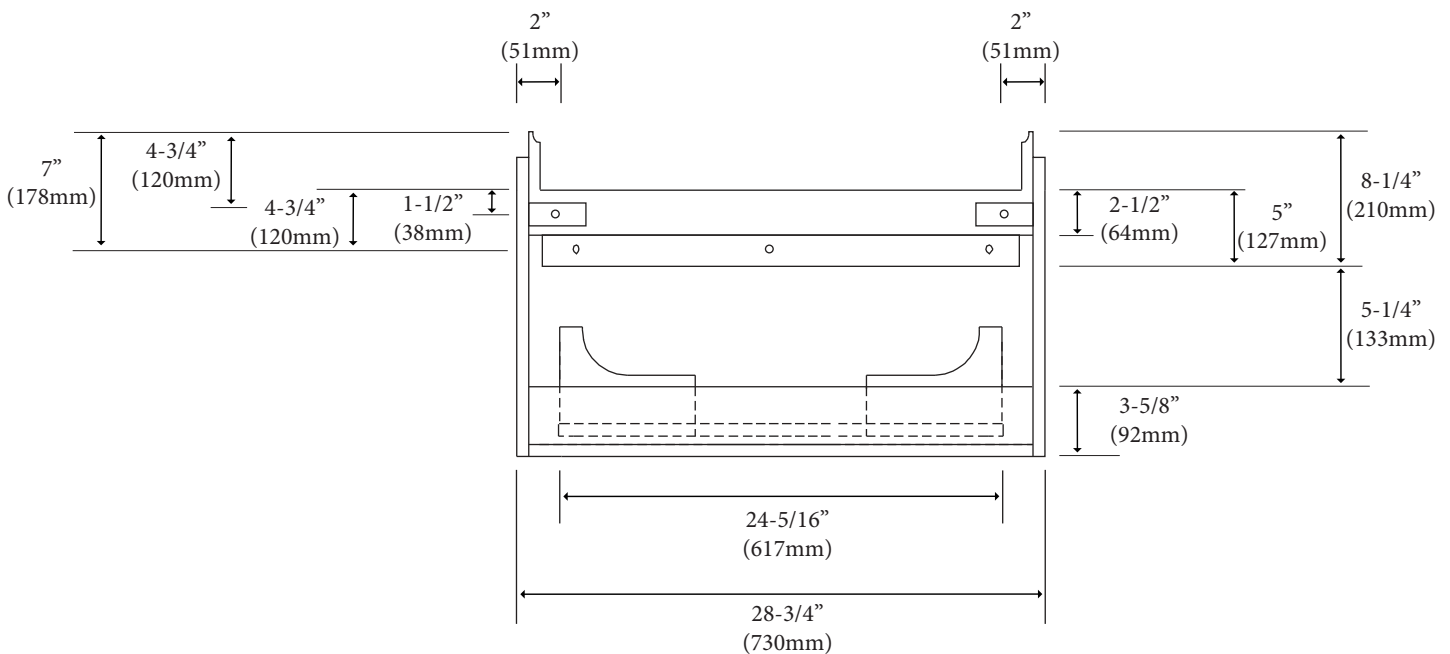
## Euro - 30"

## Specification & Installation Guide

### TOP VIEW

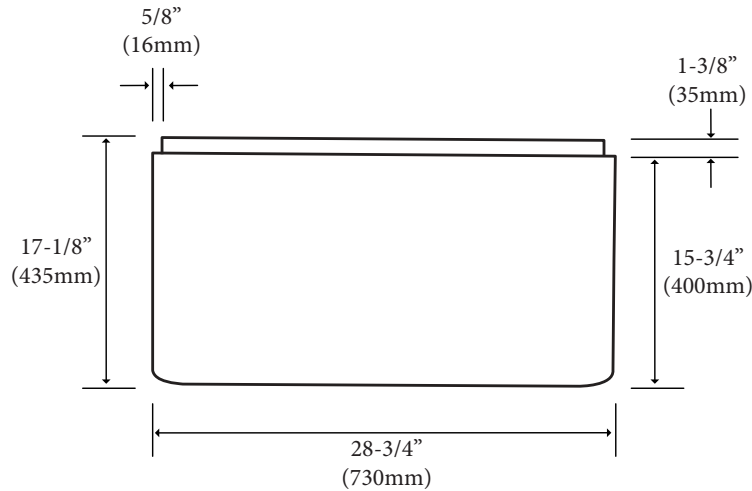


### BACK VIEW



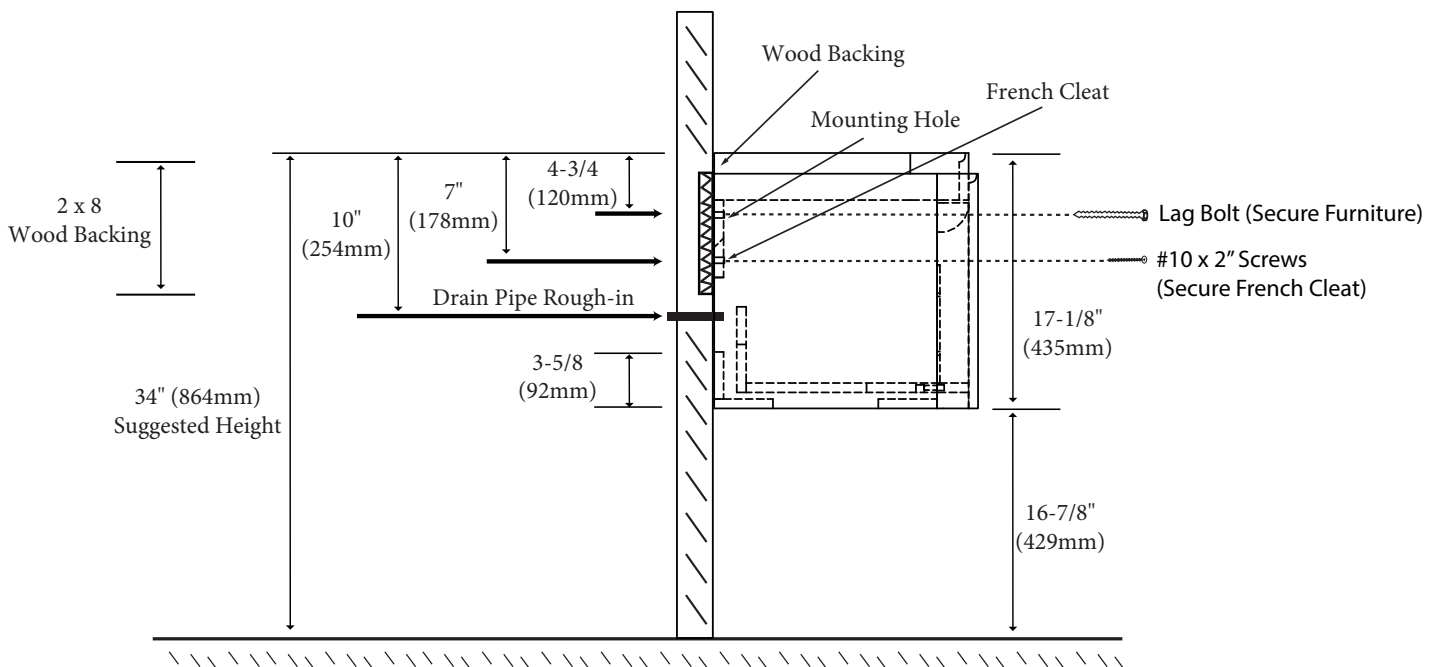
## Euro - 30" Specification & Installation Guide

### FRONT VIEW



### TYPICAL INSTALLATION

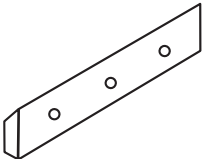




The typical dimensions shown will result in vanity cabinet height of 34" (864mm). Depending on the countertop selected, the total height will vary from 35-3/4" (908mm) to 36" (915mm). If alternate heights are desired, adjust the rough-in and backing material heights using the dimensions provided.



## Euro - 30"

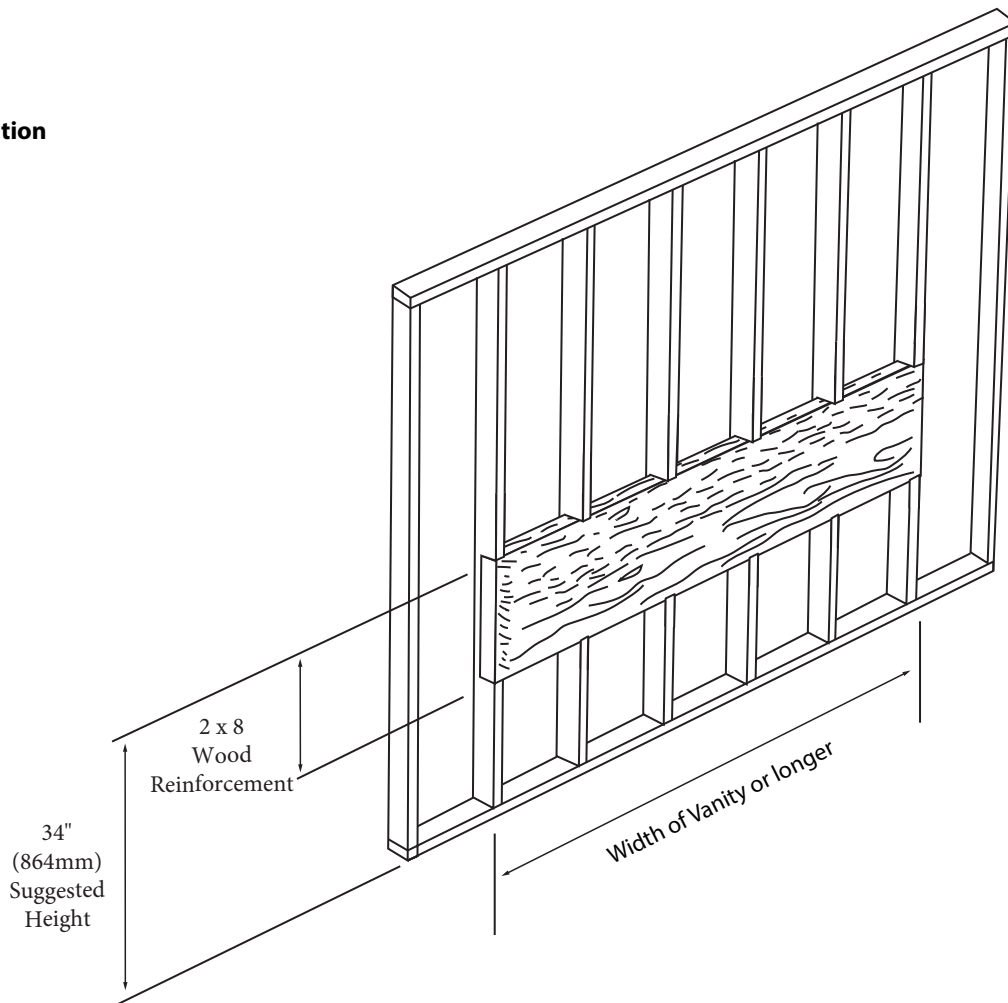
## Specification & Installation Guide

### INSTALLATION INSTRUCTIONS

Item	French Cleat	#10 x 2" Screws	Anchors	Screw	Silicone (not included)
Qty.	1	3	3	3	1
					

### STEP 1

#### Wall Preparation



**For clarification, please contact Madeli Customer Care at (800)-819-6988 or (305)-718-8817 Ext. 1**

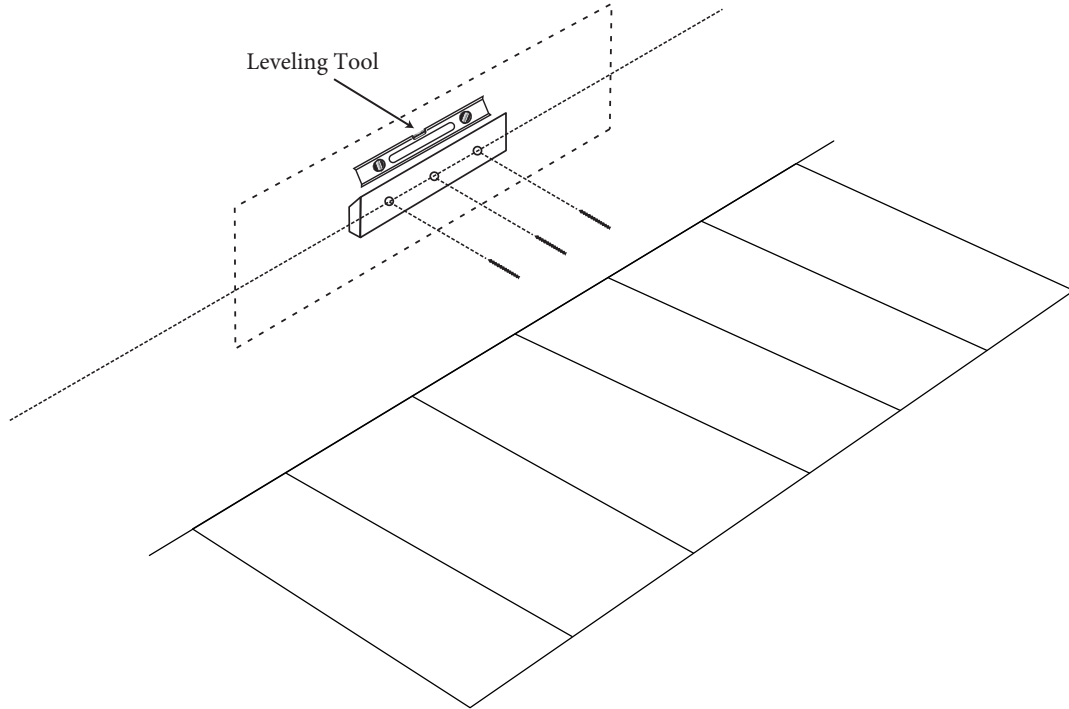
All dimensions are approximate and subject to standard tolerance. Specifications subject to change without prior notice.

## Euro - 30"

## Specification & Installation Guide

### STEP 2

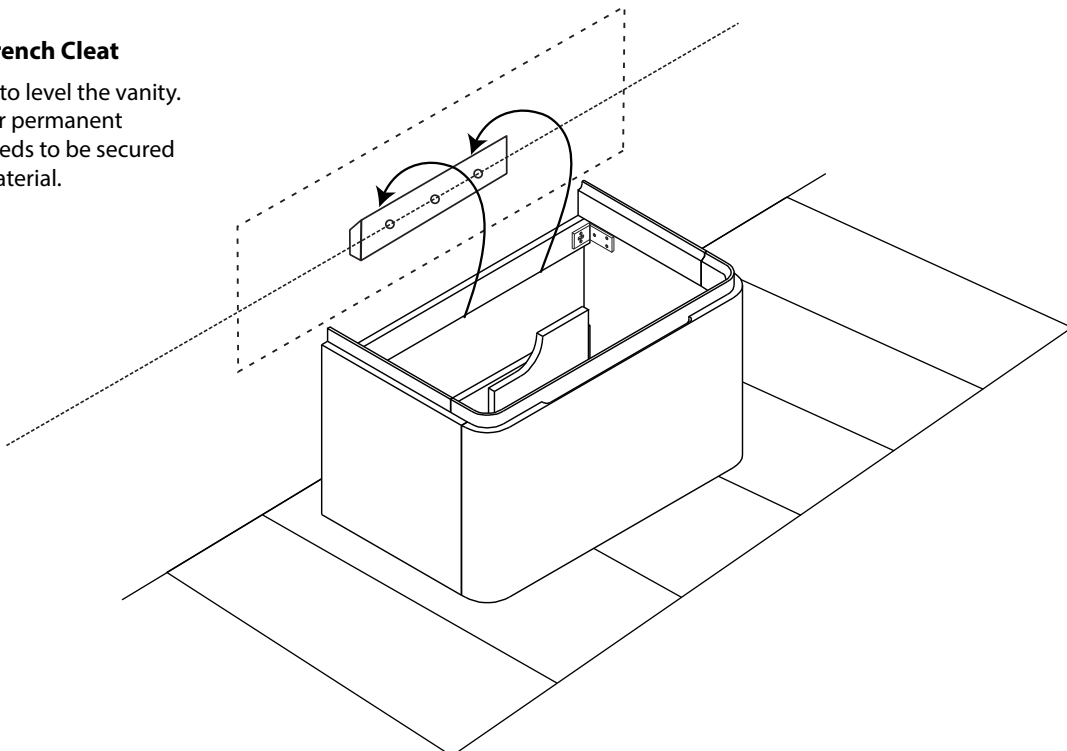
#### Install French Cleat



### STEP 3

#### Place vanity on French Cleat

French Cleat is only to level the vanity. It is not designed for permanent support. Cabinet needs to be secured to wood backing material.

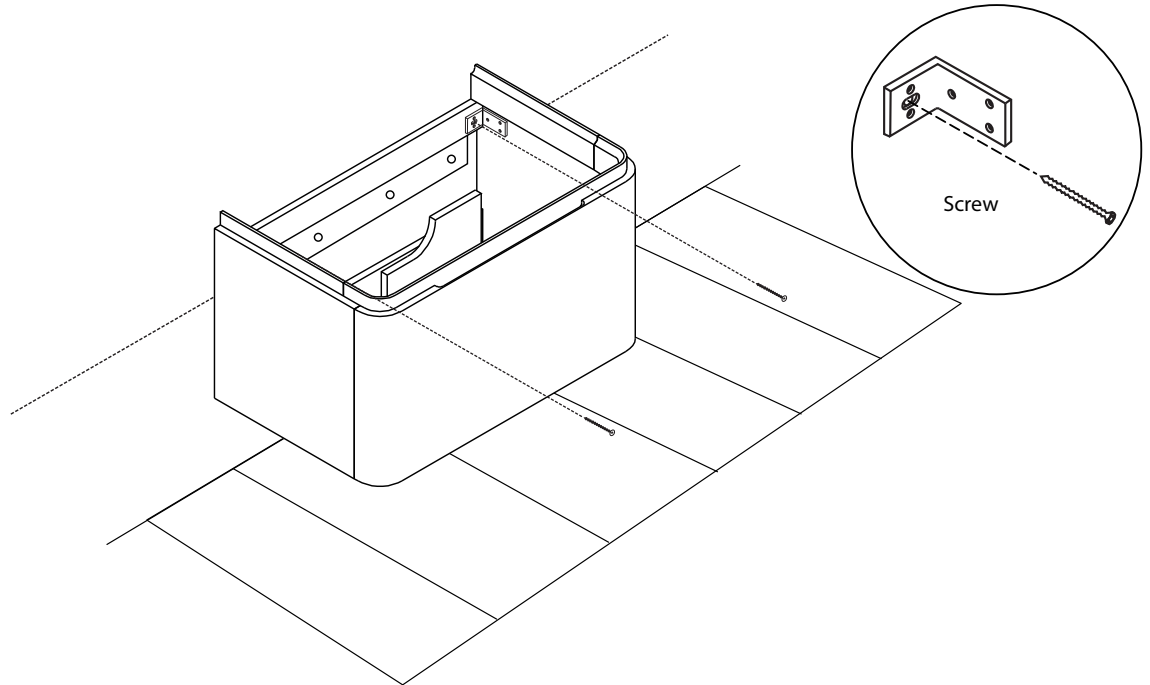


## Euro - 30"

## Specification & Installation Guide

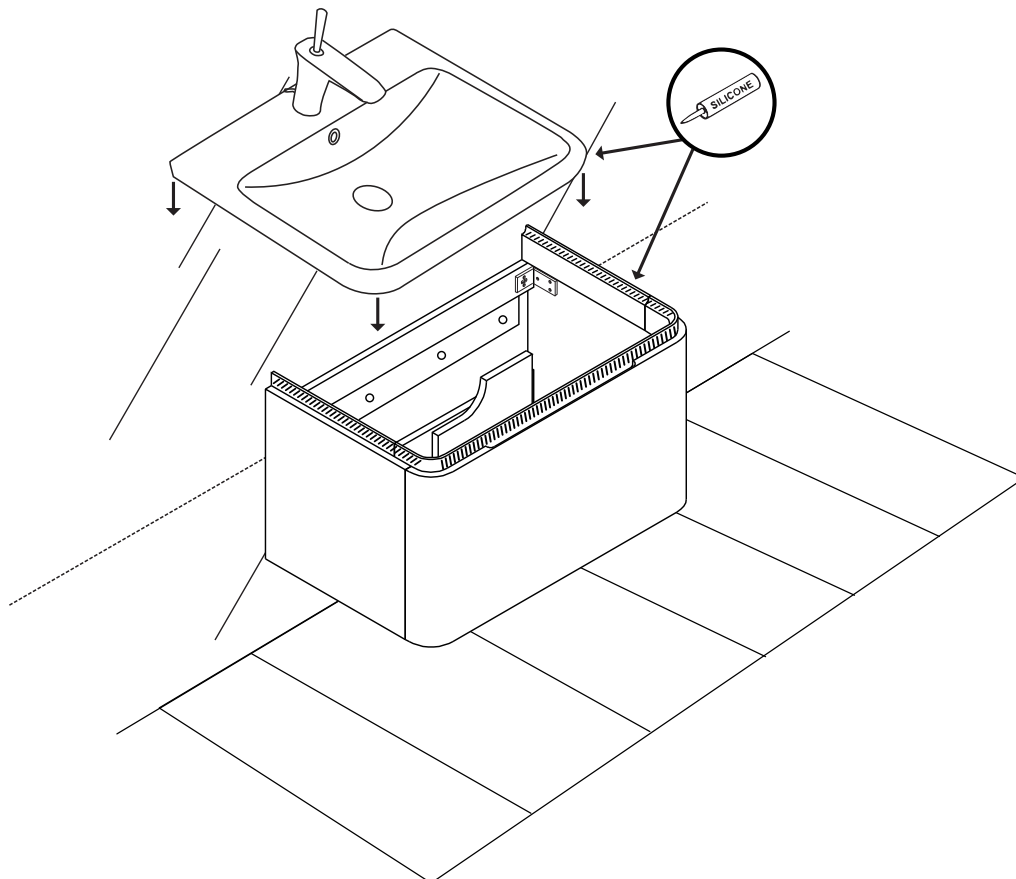
### STEP 4

Secure vanity to wood reinforcement backing



### STEP 5

Install basin with silicone



For clarification, please contact Madeli Customer Care at (800)-819-6988 or (305)-718-8817 Ext. 1  
All dimensions are approximate and subject to standard tolerance. Specifications subject to change without prior notice.