

## Villa-20 Linen Cabinet

## Specification & Installation Guide

### Features

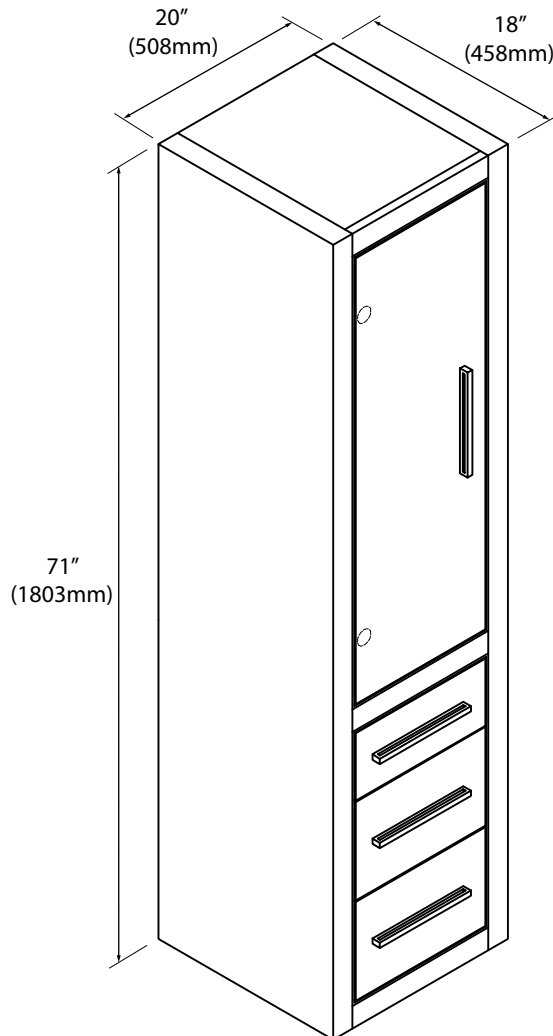
- Free standing linen cabinet 71" (1803mm)H x 18"(458mm)D x 20"(508mm)W
- Furniture grade plywood layered with solid wood veneer and protected with several coats of polyurethane.
- Matching finish inside and out.
- Top cabinet section:
  - One door with soft-close hinges. Available left (L001) or right (R001) hinged.
  - Two adjustable wooden shelves
  - One interior drawer with full extension soft-close hardware
- Bottom cabinet section: Three drawers with full extension soft-close hardware.
- Cabinet furnished assembled.

### Package dimension

23" x 21" x 73"

### Gross weight

154 lbs / 70 kgs



Left-hinged Shown



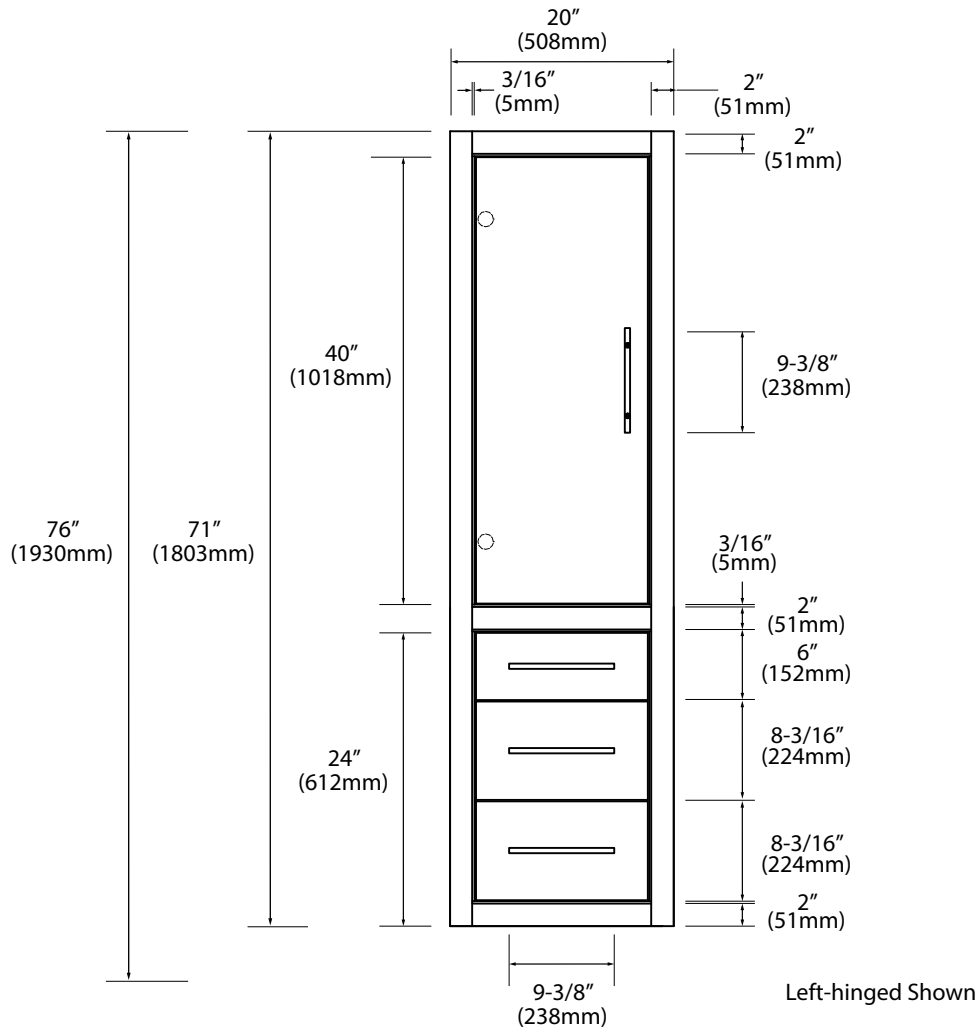
**For clarification, please contact Madeli Customer Care at (800)-819-6988 or (305)-718-8817 Ext. 1 or [service@madeli.com](mailto:service@madeli.com)**

All dimensions are approximate and subject to standard tolerance. Specifications subject to change without prior notice.

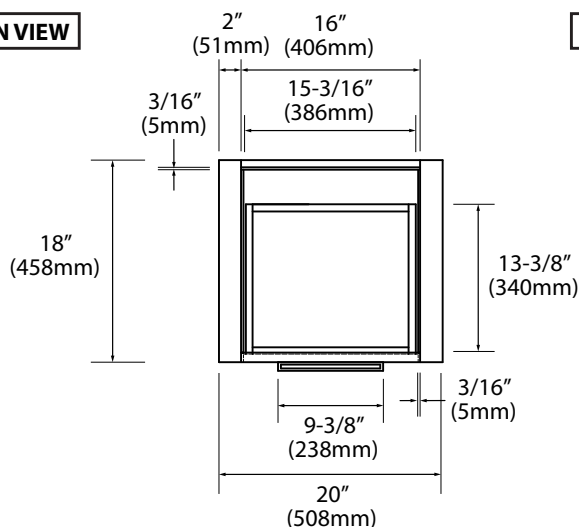
## Villa-20 Linen Cabinet

## Specification & Installation Guide

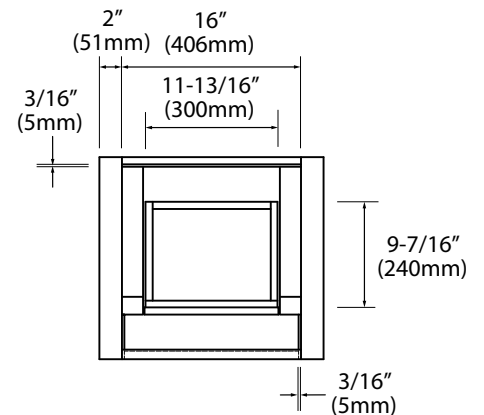
### FRONT VIEW



### TOP SECTION VIEW



### BOTTOM SECTION VIEW



For clarification, please contact Madeli Customer Care at (800)-819-6988 or (305)-718-8817 Ext. 1 or [service@madeli.com](mailto:service@madeli.com)

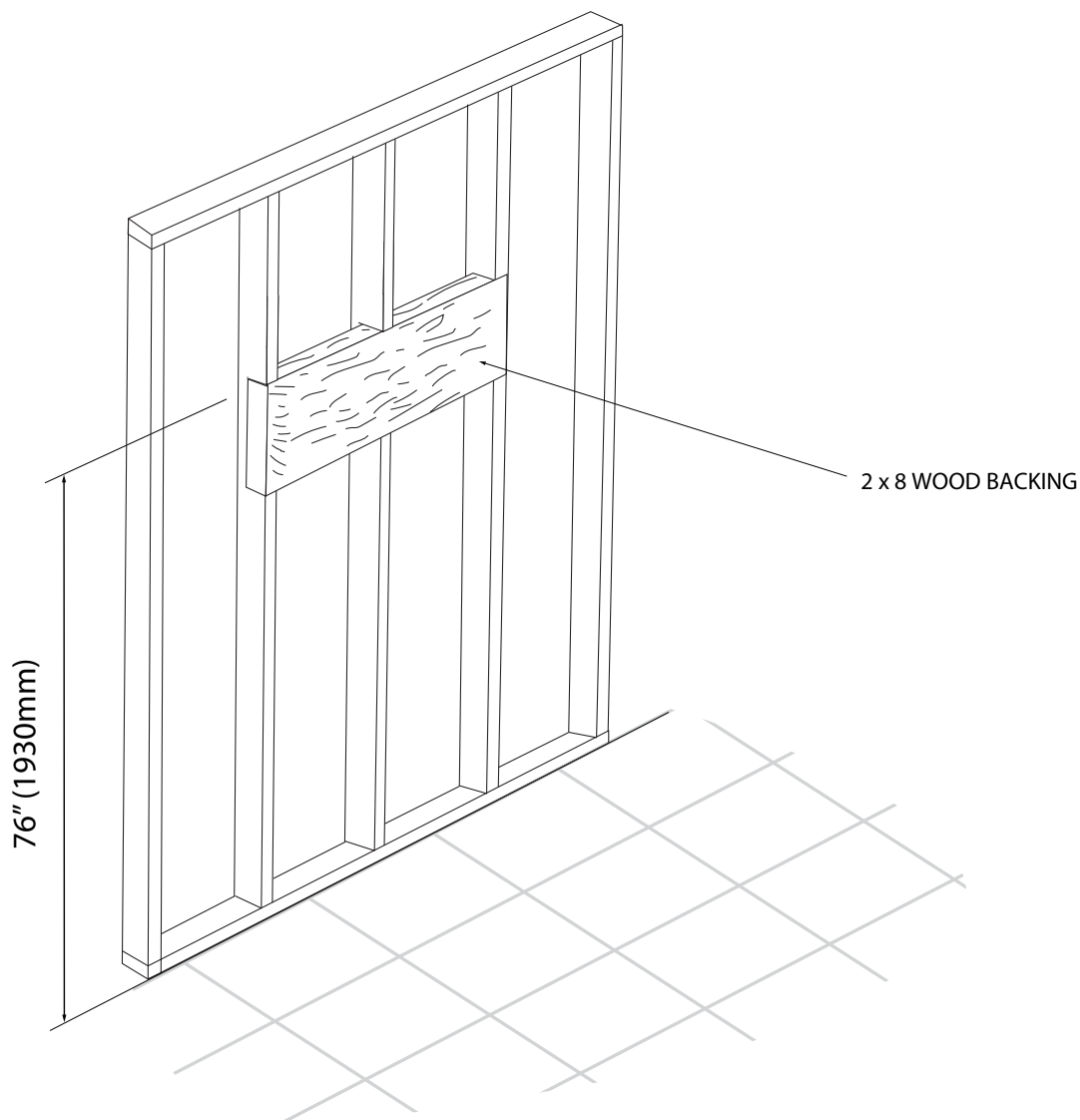
All dimensions are approximate and subject to standard tolerance. Specifications subject to change without prior notice.

## Villa-20 Linen Cabinet

## Specification & Installation Guide

### TYPICAL INSTALLATION

For the bottom section of the Villa linen cabinet to have its drawers, handles, and inlays match those of the Villa cabinet, the linen cabinet should be installed at the same height from the floor as the Villa vanity. Aesthetically, 5"(127mm) off the floor is suggested as a preferred height, which will result in a linen cabinet total height of 76"(1930mm). If a different height is desired for the vanity and linen cabinet, adjust the height of the respective wood backings accordingly.

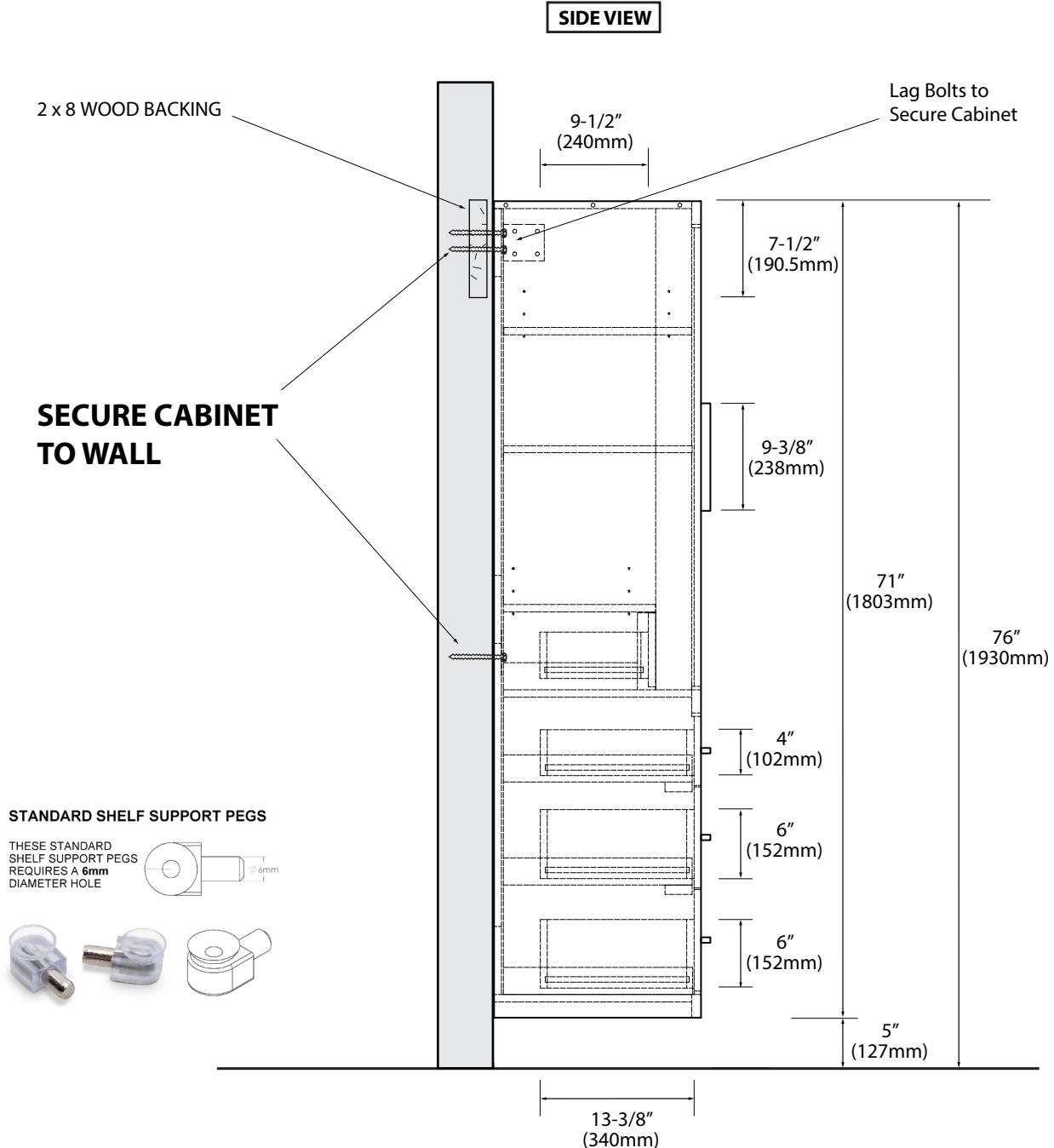


## Villa-20 Linen Cabinet

## Specification & Installation Guide

### CABINET PLACEMENT & INSTALLATION

- 1) Level the linen cabinet at the same height off the floor as the matching Villa vanity.
- 2) Secure the linen cabinet to wood backing and to wall.



For clarification, please contact Madeli Customer Care at (800)-819-6988 or (305)-718-8817 Ext. 1 or [service@madeli.com](mailto:service@madeli.com)  
 All dimensions are approximate and subject to standard tolerance. Specifications subject to change without prior notice.