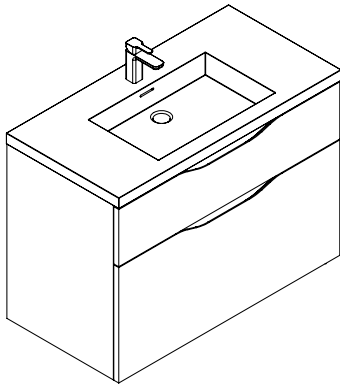


## Specifications and Installation Guide

### B100-Bolano Wall Hung Vanity Collection

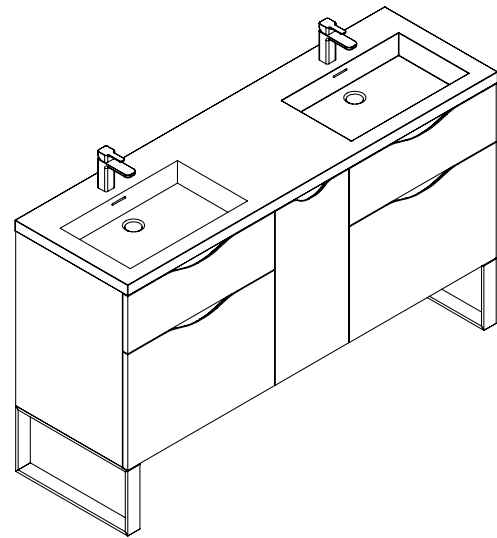
Models

- B100-24-022-XX
- B100-30-022-XX
- B100-36-022-XX
- B100-42-022-XX
- B100-48C-022-XX
- B100-48D-022-XX
- B100-60D-022-XX
- B100-72D-022-XX



### B200-Milano Free Standing Vanity Collection

- B200-24-021-XX
- B200-30-021-XX
- B200-36-021-XX
- B200-42-021-XX
- B200-48C-021-XX
- B200-48D-021-XX
- B200-60D-021-XX
- B200-72D-021-XX



### Table of Contents

	Page / Page
Specifications 24/30/36/42.....	2
Specifications 48C.....	3
Specifications 48D.....	4
Specifications 60D.....	5
Specifications 72D.....	6
Typical Installation: <b>Wall Hung</b> /Bolano B100-24/30/36.....	7
Typical Installation: <b>Wall Hung</b> /Bolano B100-42/48C/48D/60D/72D.....	8
Installation Steps: <b>Wall Hung</b> /B100-Bolano.....	9-10
Feet/Base Installation: <b>Free Standing</b> /B200-Milano.....	11
Typical Installation: <b>Free Standing</b> /Milano B200-24/30/36.....	12
Typical Installation: <b>Free Standing</b> /Milano B200-42/48C/48D/60D/72D.....	13

For clarification, please contact Madeli Customer Care at (800) 819-6988 Ext.1 or [service@madeli.com](mailto:service@madeli.com)  
 Pour plus de précisions, veuillez contacter le service client Madeli au (800) 819-6988 Ext.1 ou [service@madeli.com](mailto:service@madeli.com)

## Bolano/Milano - 24"/30"/36"/42" - Single Bowl

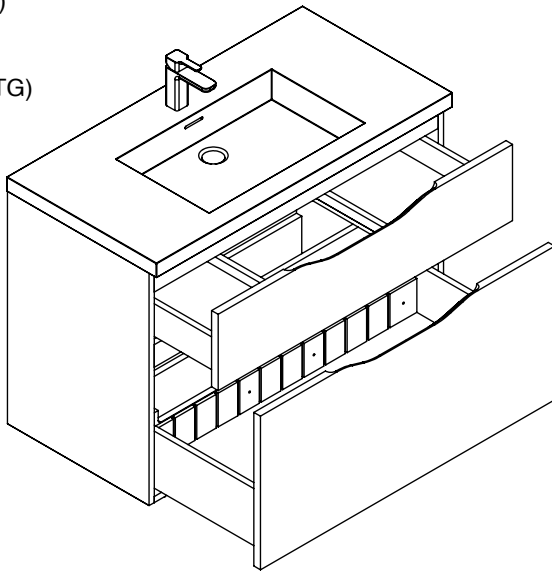
## Cabinet Specifications

### Features

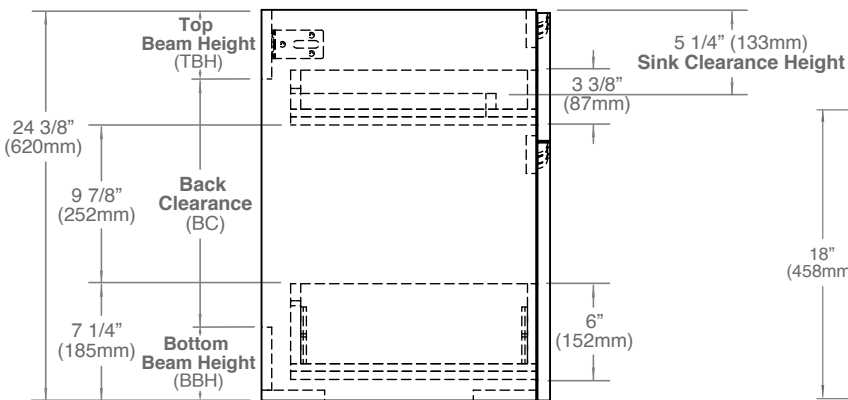
- Bolano-Wall Hung Vanity or Milano-Free Standing Vanity
- Bathroom Furniture grade plywood layered with solid wood veneer protected by polyurethane or finished with premium polyurethane solid color paints
- Matching finish inside out
- Two fully adjustable drawers with full-extension soft-close European hardware
- Bottom drawer includes adjustable tempered glass dividers
- Integrated handles

### Colors/Finishes

- Ash Grey (AG)
- White (WH)
- Walnut (WA)
- Studio Gray (TG)

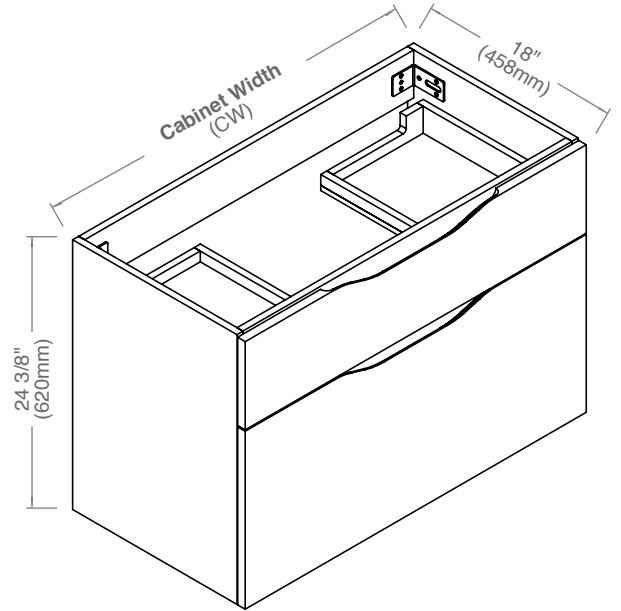


SIDE VIEW

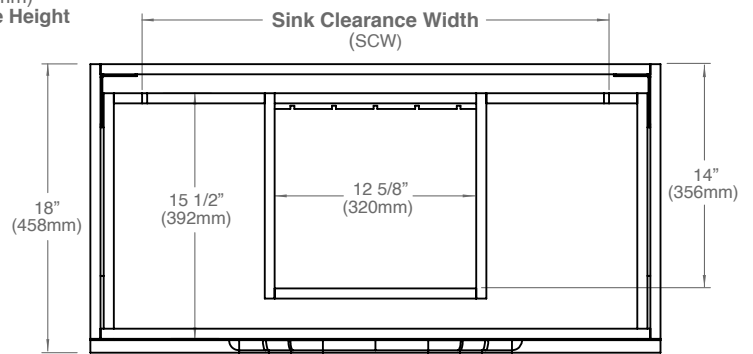


### Top/Basin options

- Ceramic Basins up to 36"
- Glass top/basin up to 36"
- X-Stone 1-1/2"H top/basin for all sizes
- X-Stone 4-1/2"H Through sink for all sizes
- Quartzstone 3/4"H countertop with ceramic basin for all sizes



TOP VIEW



MODEL	CW	TBH	BC	BBH	SCW	Package Dimensions	Weight
B100/B200-24-02X-XX	23 5/8" (600mm)	4 3/8" (110mm)	15 1/2" (394mm)	4 1/2" (116mm)	18 7/8" (478mm)	26" (660) x 21" (533) x 28" (711)	75lbs/34Kgs
B100/B200-30-02X-XX	29 5/8" (753mm)	4 3/8" (110mm)	15 1/2" (394mm)	4 1/2" (116mm)	24 7/8" (631mm)	32" (813) x 21" (533) x 28" (711)	84lbs/38Kgs
B100/B200-36-02X-XX	35 5/8" (905mm)	4 3/8" (110mm)	15 1/2" (394mm)	4 1/2" (116mm)	30 7/8" (783mm)	38" (965) x 21" (533) x 28" (711)	95lbs/43Kgs
B100/B200-42-02X-XX	35 5/8" (905mm)	7 7/8" (200mm)	11 1/8" (284mm)	5 3/8" (136mm)	35 1/8" (894mm)	43" (1092) x 21" (533) x 28" (711)	123lbs/56Kgs

For clarification, please contact Madeli Customer Care at (800) 819-6988 Ext.1 or [service@madeli.com](mailto:service@madeli.com)

All dimensions are approximate and subject to standard tolerance. Specifications subject to change without prior notice.

## Bolano/Milano - 48" - Single Bowl

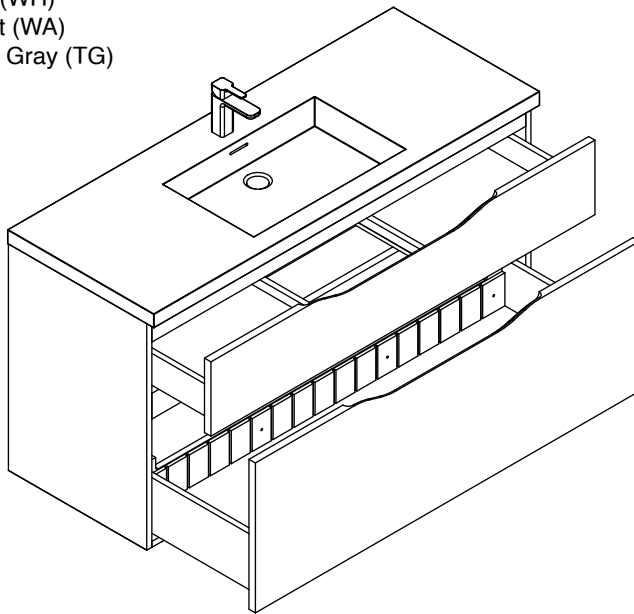
## Cabinet Specifications

### Features

- Bolano-Wall Hung Vanity or Milano-Free Standing Vanity
- Bathroom Furniture grade plywood layered with solid wood veneer protected by polyurethane or finished with premium polyurethane solid color paints
- Matching finish inside out
- Two fully adjustable drawers with full-extension soft-close European hardware
- Bottom drawer include adjustable tempered glass dividers
- Integrated handles

### Colors/Finishes

- Ash Grey (AG)
- White (WH)
- Walnut (WA)
- Studio Gray (TG)



### Top/Basin options

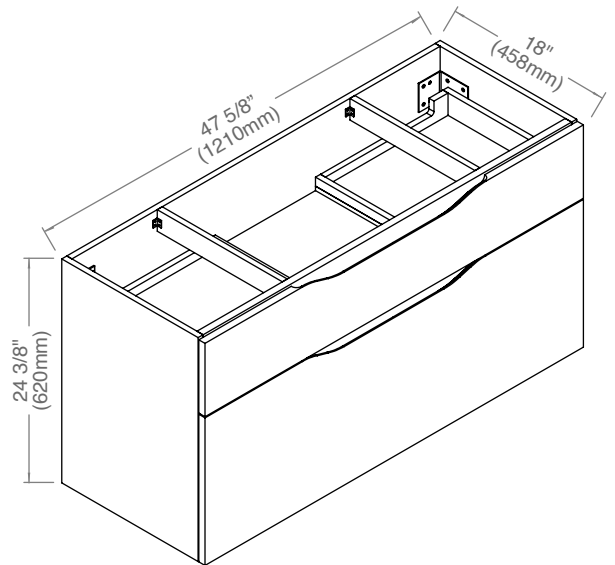
- X-Stone 1-1/2"H top/basin
- X-Stone 4-1/2"H Through sink
- Quartzstone 3/4"H countertop with ceramic basin

### Package Dimensions

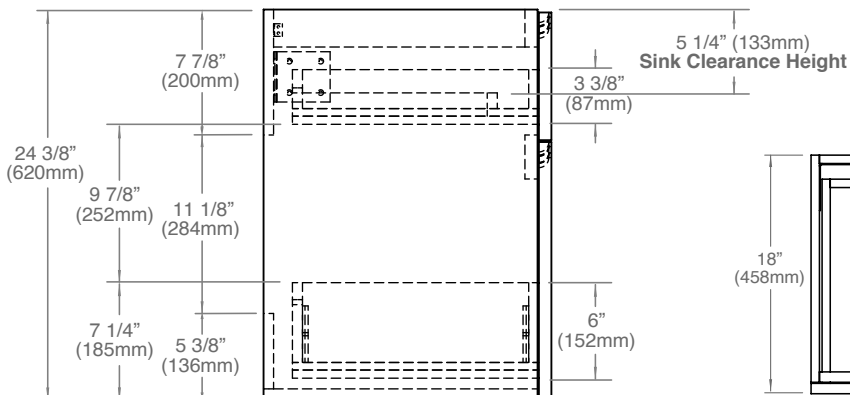
52"(1321mm) x 22"(559mm) x 28"(711mm)

### Weight

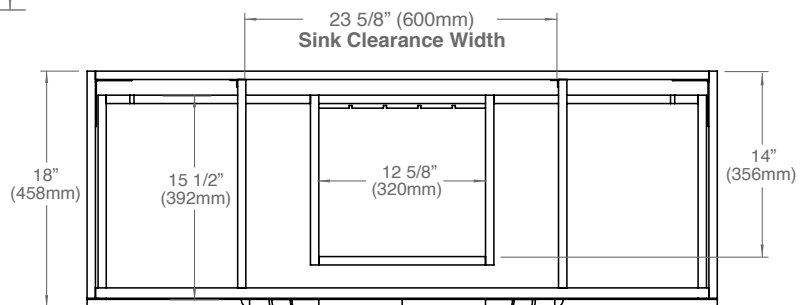
123 lbs / 56 kgs



### SIDE VIEW



### TOP VIEW



## Bolano/Milano - 48" - Double Bowl

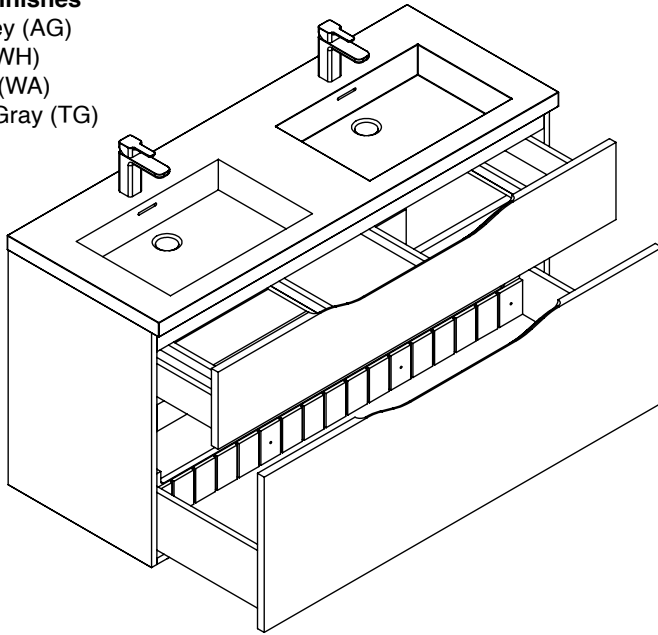
## Cabinet Specifications

### Features

- Bolano-Wall Hung Vanity or Milano-Free Standing Vanity
- Bathroom Furniture grade plywood layered with solid wood veneer protected by polyurethane or finished with premium polyurethane solid color paints
- Matching finish inside out
- Two fully adjustable drawers with full-extension soft-close European hardware
- Include adjustable tempered glass dividers
- Integrated handles

### Colors/Finishes

- Ash Grey (AG)
- White (WH)
- Walnut (WA)
- Studio Gray (TG)



### Top/Basin options

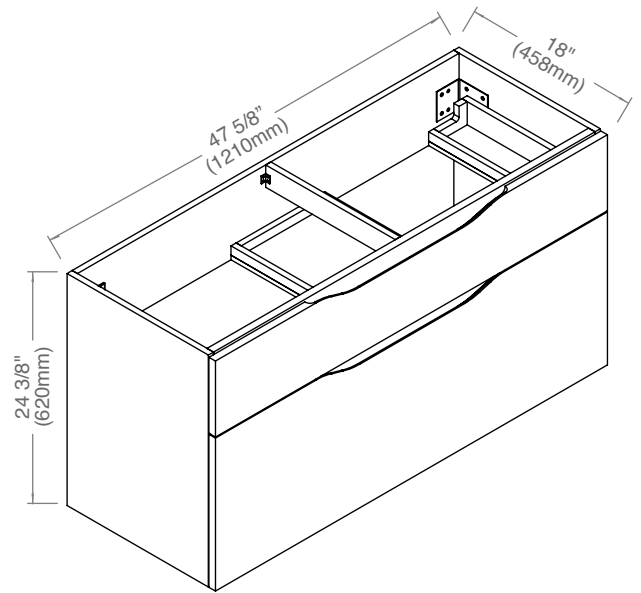
- X-Stone 1-1/2"H top/basin
- X-Stone 4-1/2"H Through sink
- Quartzstone 3/4"H countertop with ceramic basin

### Package Dimensions

52" (1321mm) x 22" (559mm) x 28" (711mm)

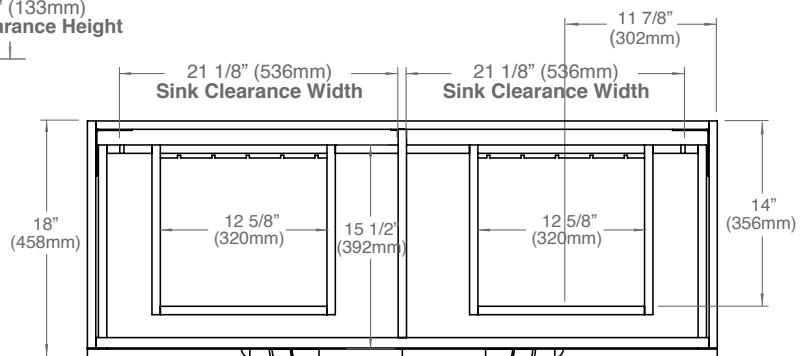
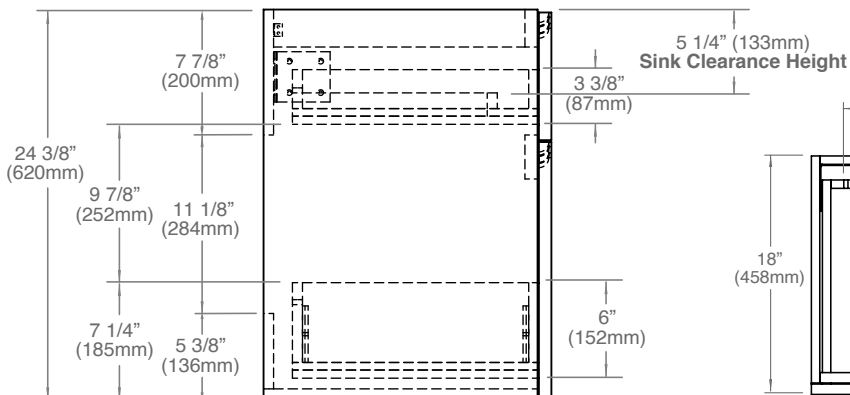
### Weight

123 lbs / 56 kgs



SIDE VIEW

TOP VIEW



For clarification, please contact Madeli Customer Care at (800) 819-6988 Ext.1 or [service@madeli.com](mailto:service@madeli.com)  
All dimensions are approximate and subject to standard tolerance. Specifications subject to change without prior notice.

## Bolano/Milano - 60" - Double Bowl

## Cabinet Specifications

### Features

- Bolano-Wall Hung Vanity or Milano-Free Standing Vanity
- Bathroom Furniture grade plywood layered with solid wood veneer protected by polyurethane or finished with premium polyurethane solid color paints
- Matching finish inside out
- Six fully adjustable drawers with full-extension soft-close European hardware
- All bottom drawers include adjustable tempered glass dividers
- Integrated handles

### Colors/Finishes

- Ash Grey (AG)
- White (WH)
- Walnut (WA)
- Studio Gray (TG)

### Top/Basin options

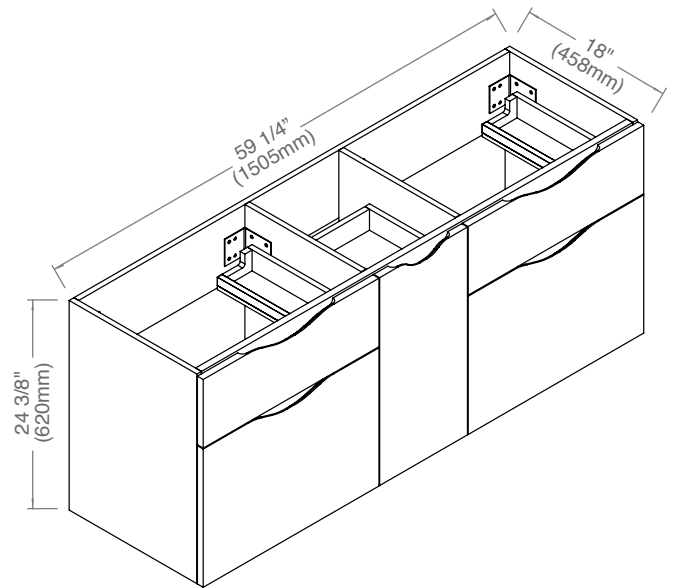
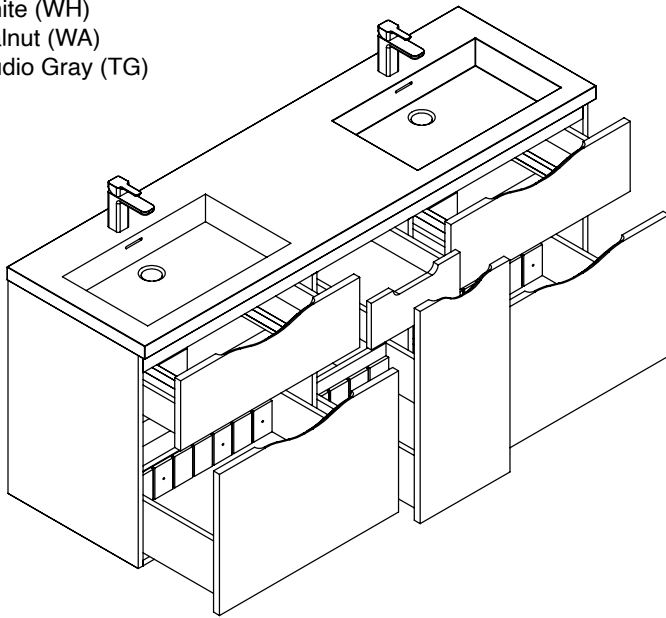
- X-Stone 1-1/2"H top/basin
- X-Stone 4-1/2"H Through sink
- Quartzstone 3/4"H countertop with ceramic basin

### Package Dimensions

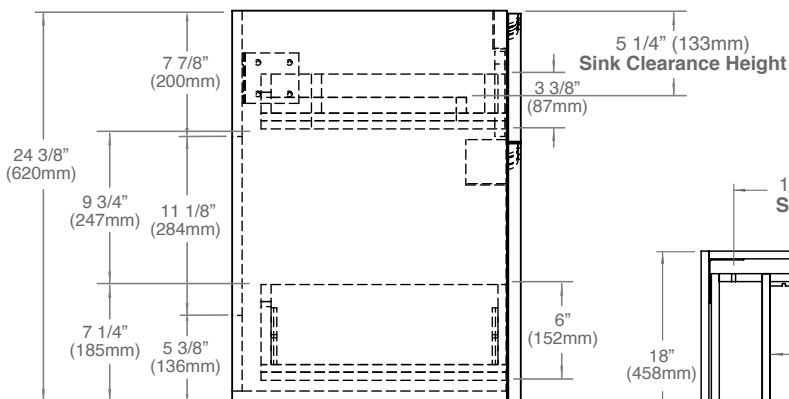
63"(1600mm) x 22"(559mm) x 28"(711mm)

### Weight

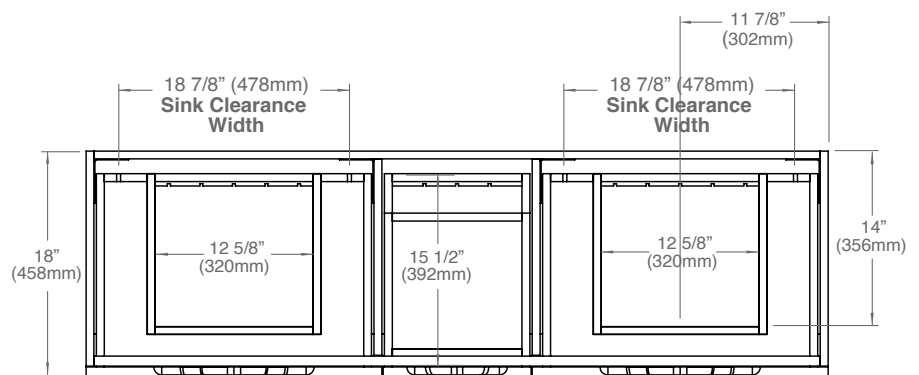
185 lbs / 84 kgs



### SIDE VIEW



### TOP VIEW



For clarification, please contact Madeli Customer Care at (800) 819-6988 Ext.1 or [service@madeli.com](mailto:service@madeli.com)  
All dimensions are approximate and subject to standard tolerance. Specifications subject to change without prior notice.

## Bolano/Milano - 72" - Double Bowl

## Cabinet Specifications

### Features

- Bolano-Wall Hung Vanity or Milano-Free Standing Vanity
- Bathroom Furniture grade plywood layered with solid wood veneer protected by polyurethane or finished with premium polyurethane solid color paints
- Matching finish inside out
- Six fully adjustable drawers with full-extension soft-close European hardware
- All bottom drawers include adjustable tempered glass dividers
- Integrated handles

### Colors/Finishes

- Ash Grey (AG)
- White (WH)
- Walnut (WA)
- Studio Gray (TG)

### Top/Basin options

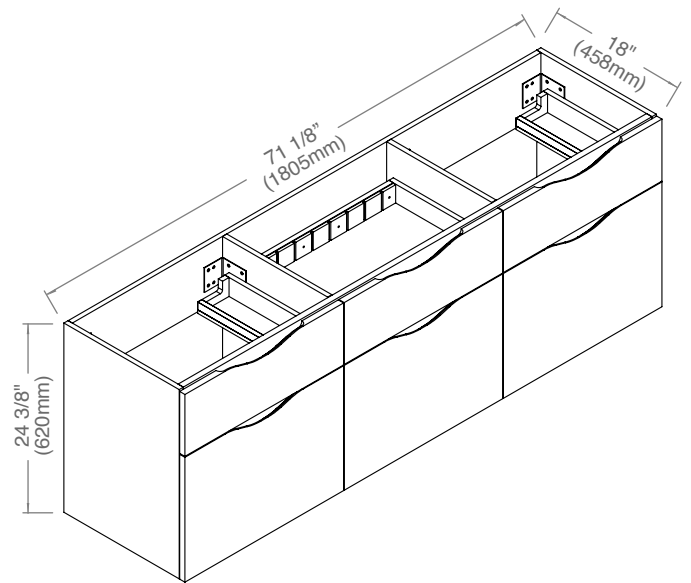
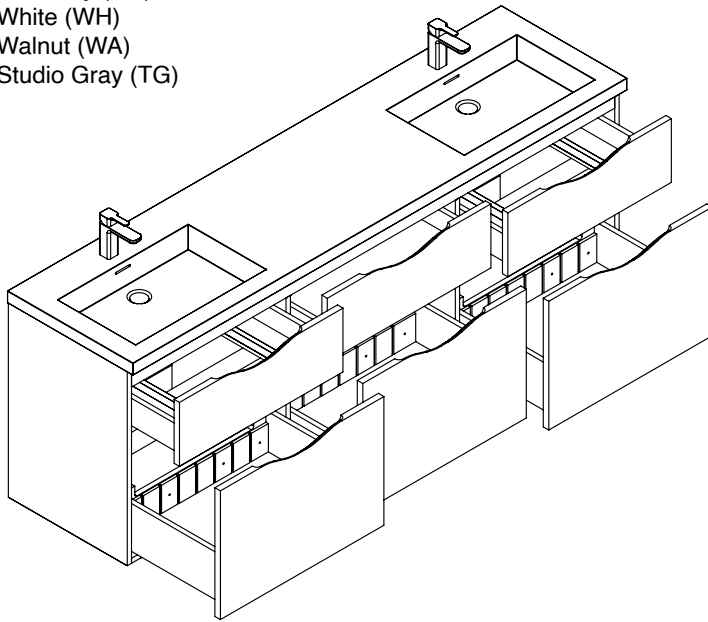
- X-Stone 1-1/2"H top/basin
- X-Stone 4-1/2"H Through sink
- Quartzstone 3/4"H countertop with ceramic basin

### Package Dimensions

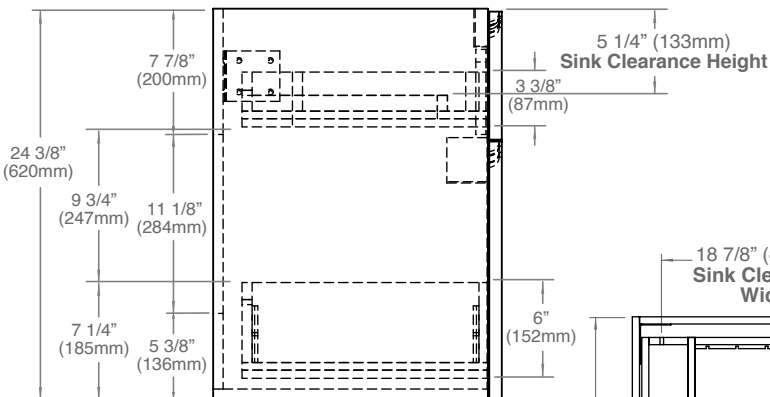
73"(1854mm) x 22"(559mm) x 28"(711mm)

### Weight

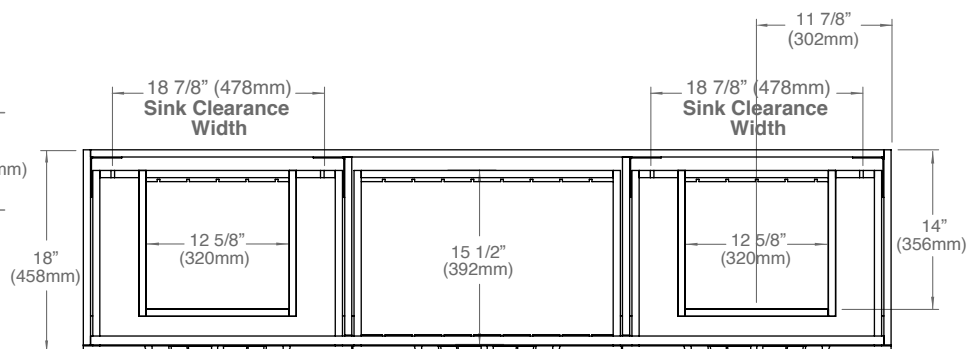
208 lbs / 94 kgs



### SIDE VIEW



### TOP VIEW



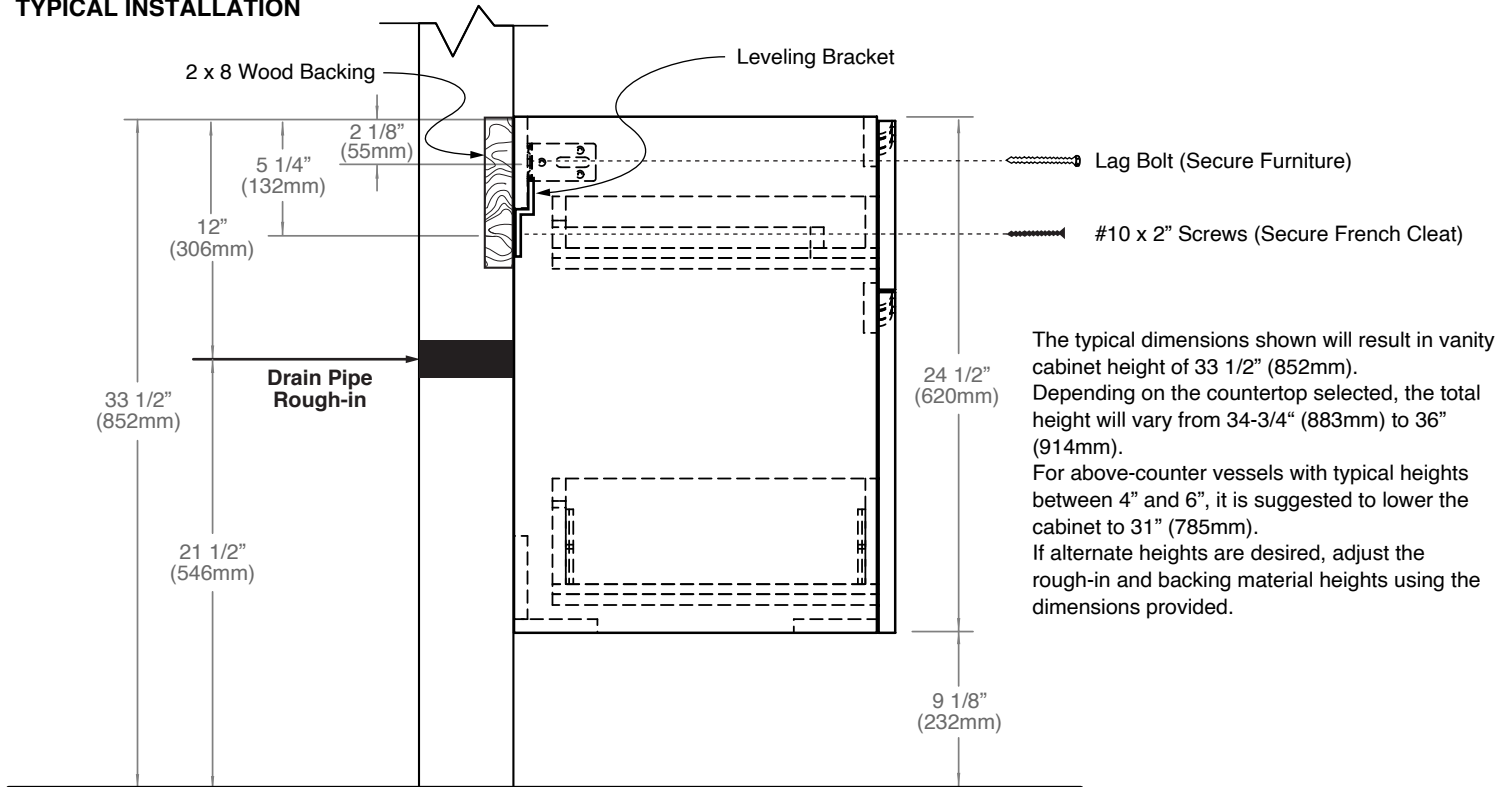
For clarification, please contact Madeli Customer Care at (800) 819-6988 Ext.1 or [service@madeli.com](mailto:service@madeli.com)

All dimensions are approximate and subject to standard tolerance. Specifications subject to change without prior notice.

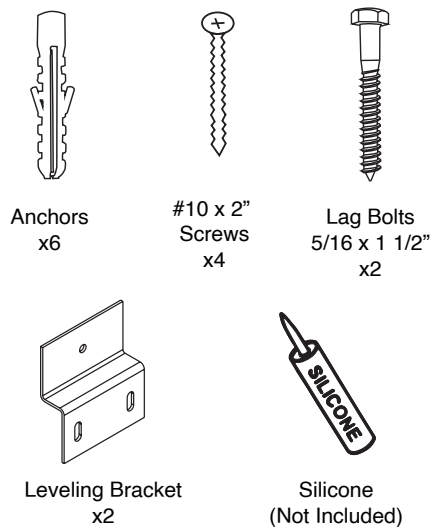
## Bolano - WALL HUNG VANITY

## Installation Guide

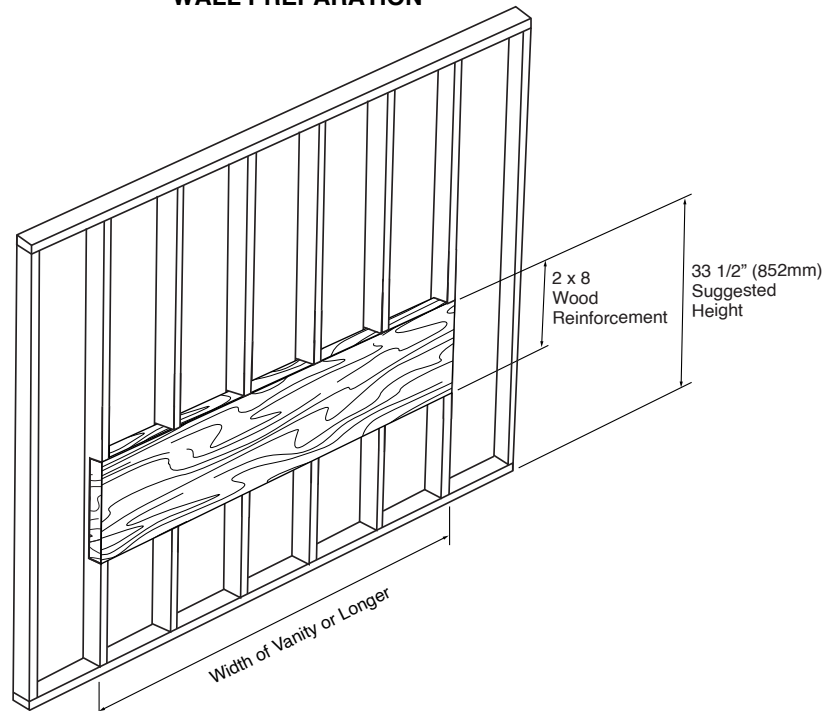
### TYPICAL INSTALLATION



### ACCESSORIES FOR INSTALLATION



### WALL PREPARATION

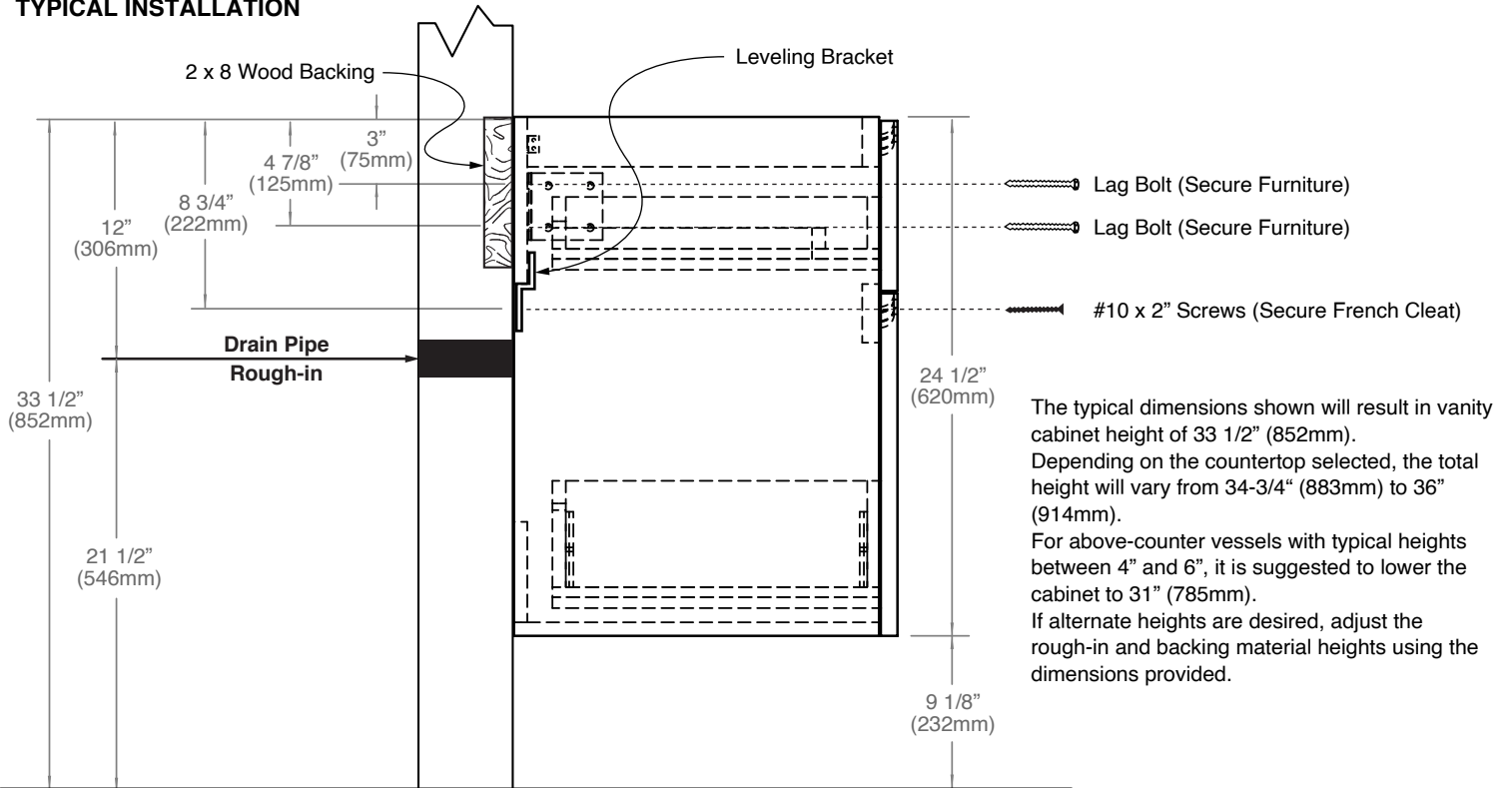


For clarification, please contact Madeli Customer Care at (800) 819-6988 Ext.1 or [service@madeli.com](mailto:service@madeli.com)  
All dimensions are approximate and subject to standard tolerance. Specifications subject to change without prior notice.

## Bolano - WALL HUNG VANITY

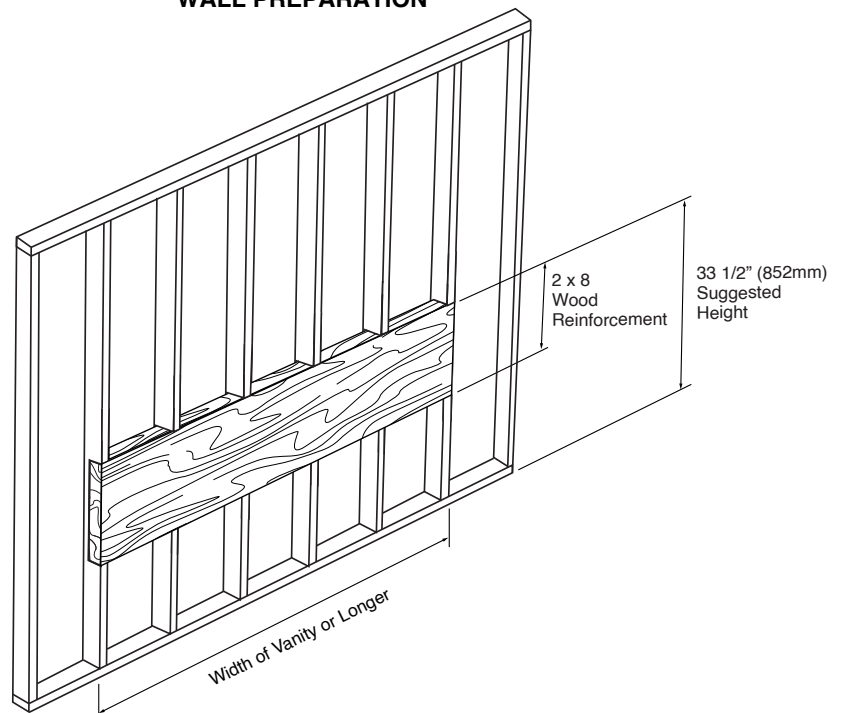
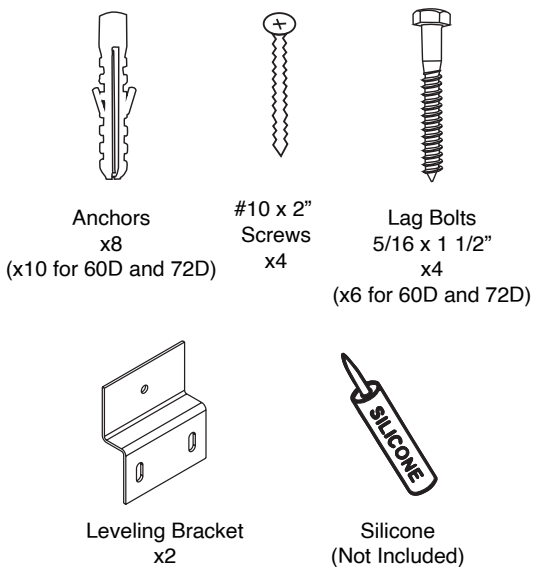
## Installation Guide

### TYPICAL INSTALLATION



### ACCESSORIES FOR INSTALLATION

### WALL PREPARATION



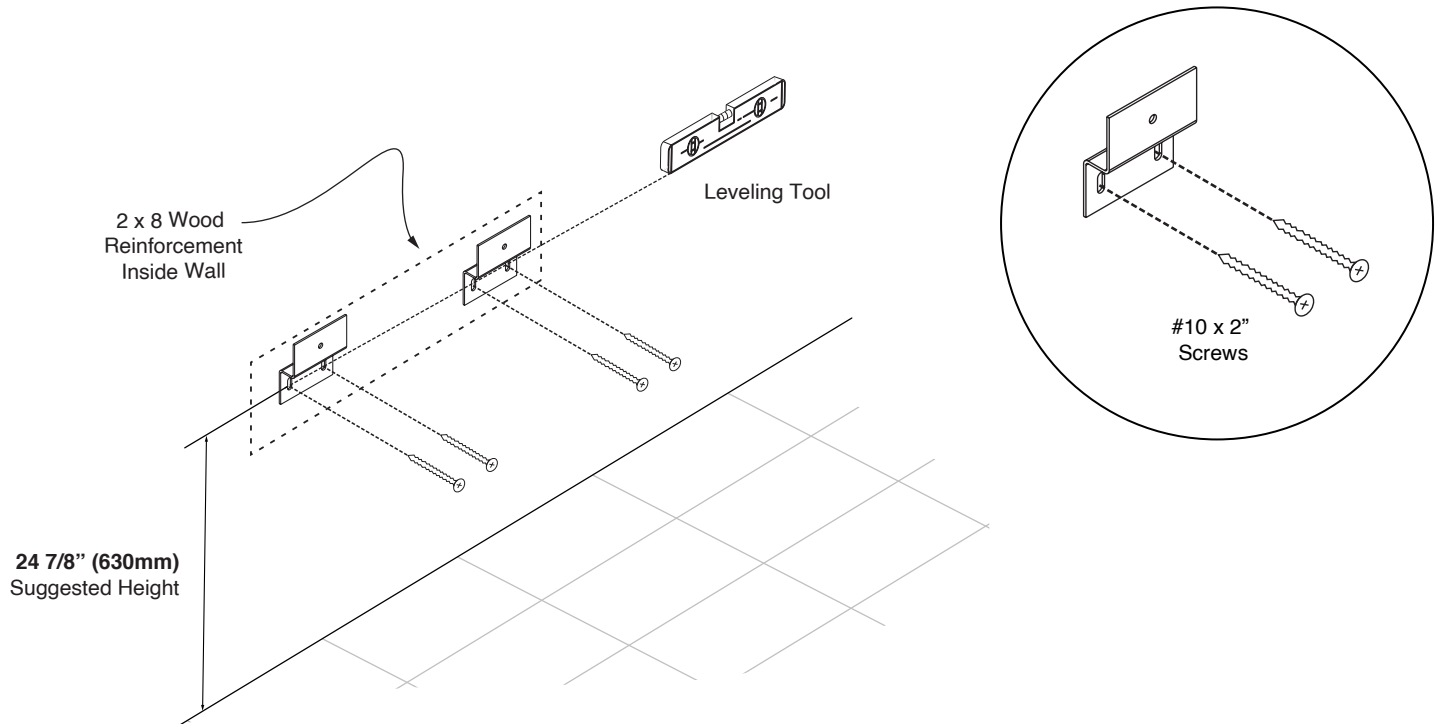
For clarification, please contact Madeli Customer Care at (800) 819-6988 Ext.1 or [service@madeli.com](mailto:service@madeli.com)  
All dimensions are approximate and subject to standard tolerance. Specifications subject to change without prior notice.



## Bolano - WALL HUNG VANITY

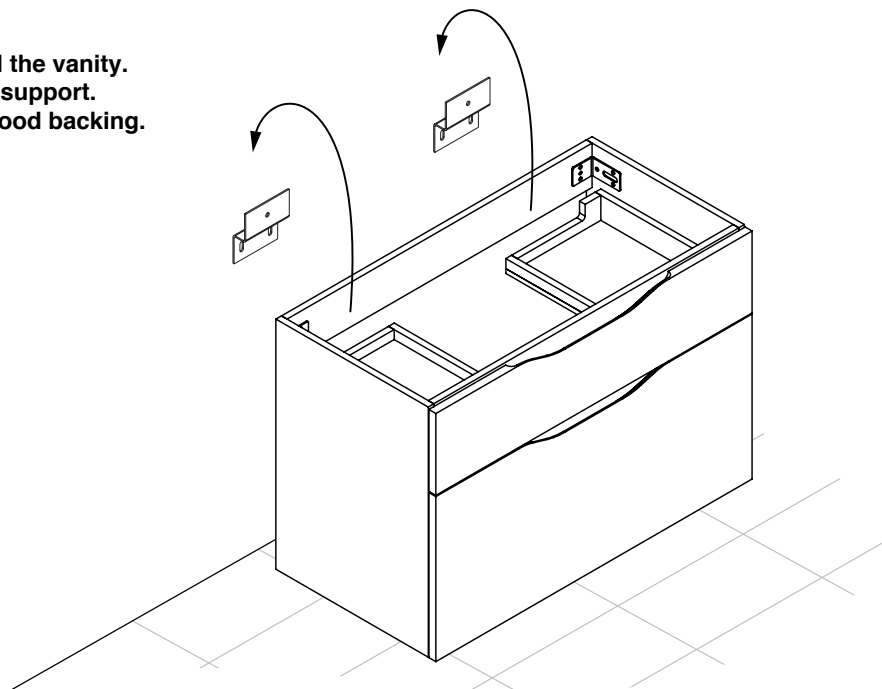
## Installation Guide

### STEP 1: Install leveling brackets



### STEP 2: Place vanity on leveling bracket.

**The leveling brackets are only to level the vanity.  
They are not designed for permanent support.  
The cabinet needs to be secured to wood backing.**

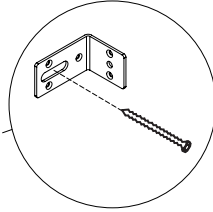


## Bolano - WALL HUNG VANITY

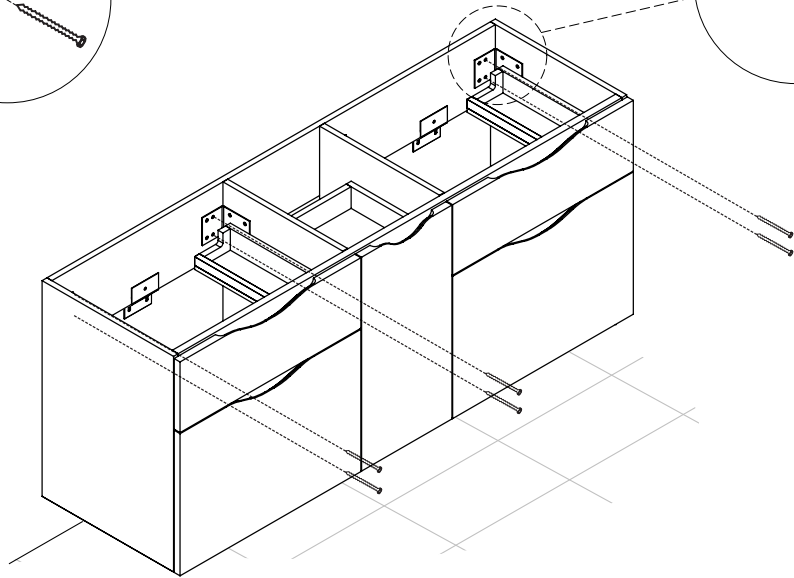
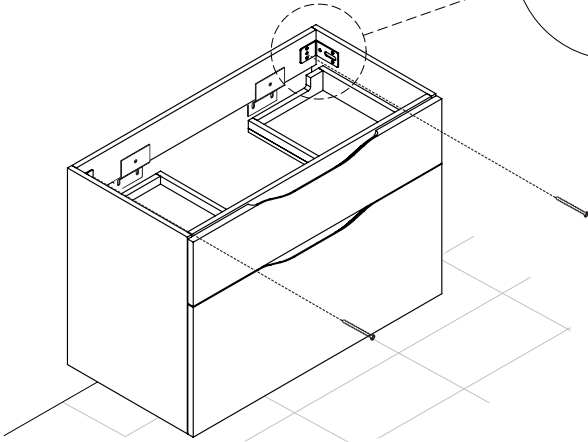
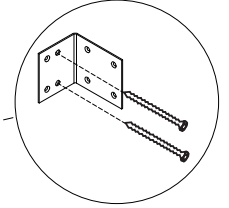
## Installation Guide

**STEP 3:** Secure vanity to wood reinforcement backing.

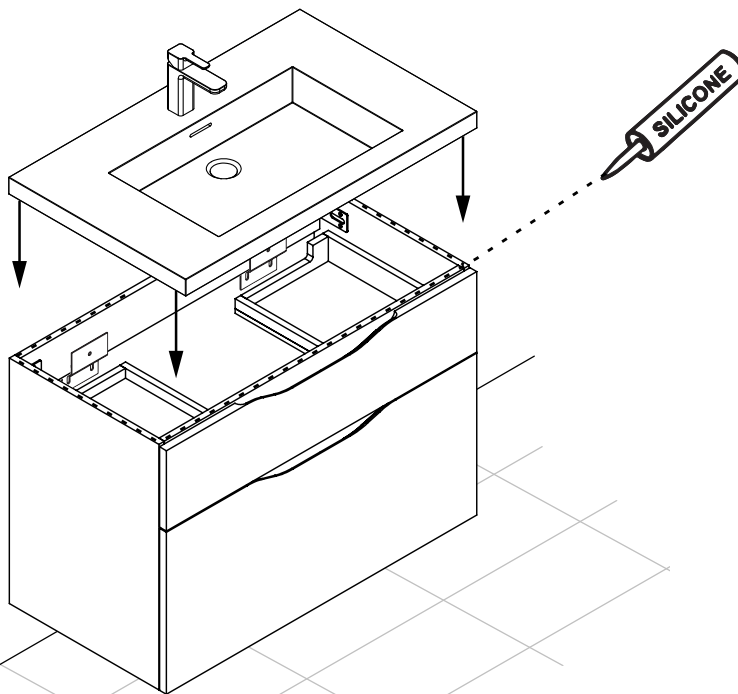
Two Screws for Sizes  
24, 30, and 36



Four Screws for Sizes 42, 48C and 48D  
Six Screws for 60D and 72D



**STEP 4:** Install countertop with silicone and handles as shown below.

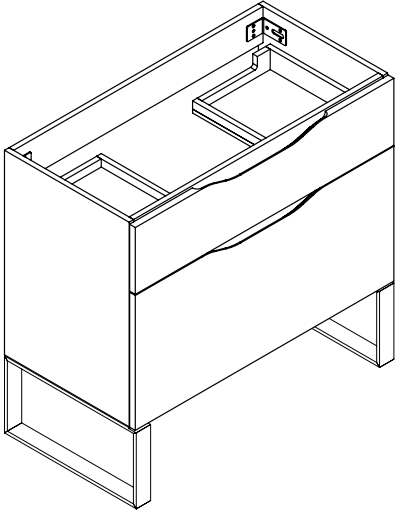


For clarification, please contact Madeli Customer Care at (800) 819-6988 Ext.1 or [service@madeli.com](mailto:service@madeli.com)  
All dimensions are approximate and subject to standard tolerance. Specifications subject to change without prior notice.

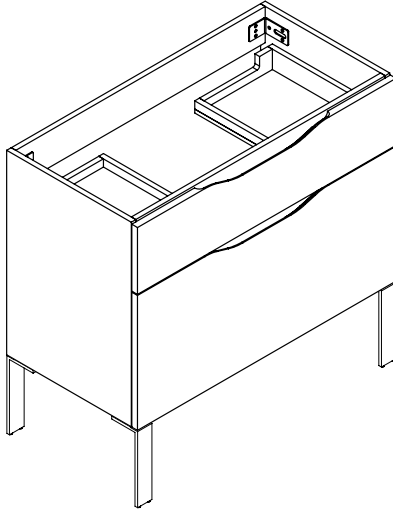
## Milano - FREE STANDING VANITY

## Feet/Base Installation

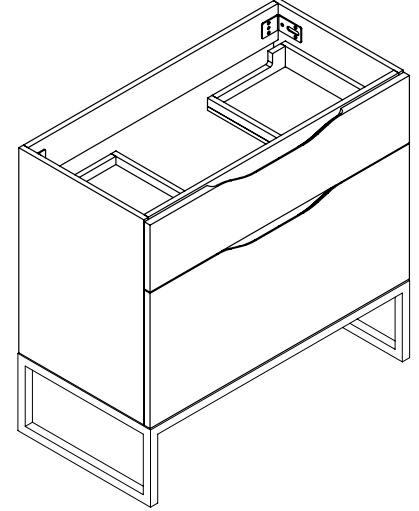
S-FEET



L-FEET



C-BASE



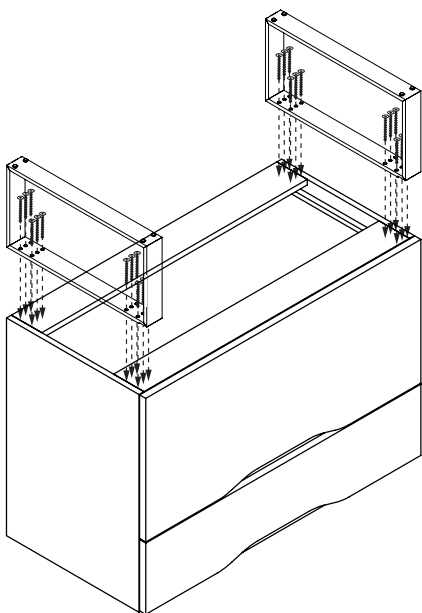
### FEET/BASE INSTALLATION

1. Flip cabinet in the upside down position.
2. Mark screw locations using legs/base as template.
3. Pre-drill holes with 5/64", 3/32" or 7/64" drill bit about 1/2" deep.
4. Using provided screws, fix legs/base to cabinet as shown below.

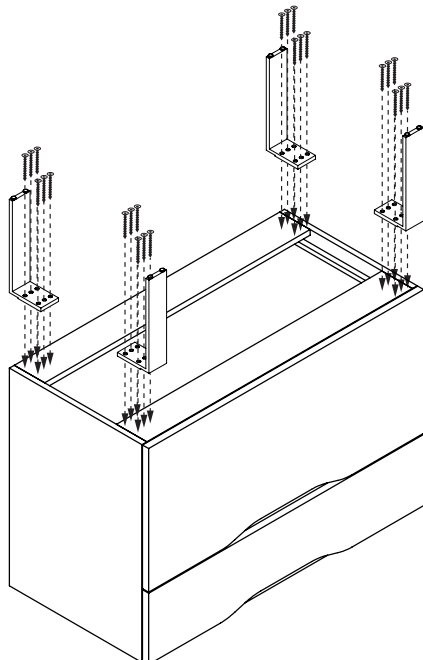
If using a regular battery drill, set clutch to minimum and increase setting as needed.

**DO NOT OVER TIGHTEN THE SCREWS. DOING SO WILL SPLIT THE WOOD SIDE PANEL.**

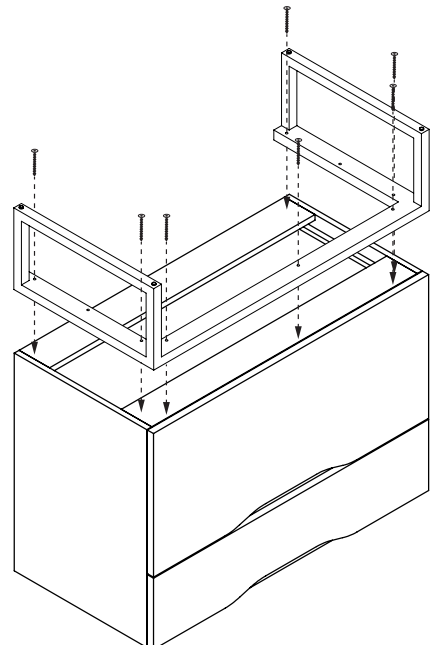
S-FEET INSTALLATION



L-FEET INSTALLATION



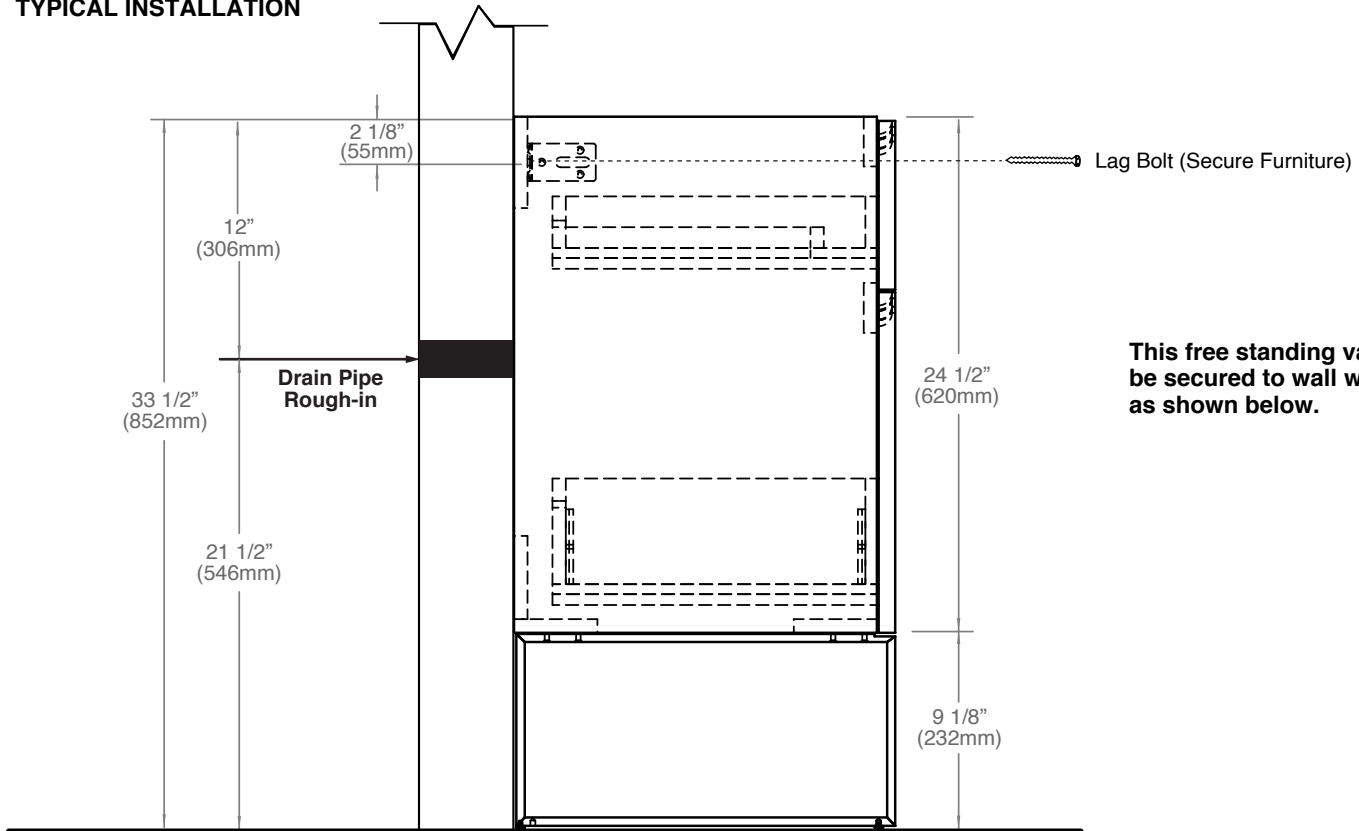
C-BASE INSTALLATION



## Milano - FREE STANDING VANITY

## Installation Guide

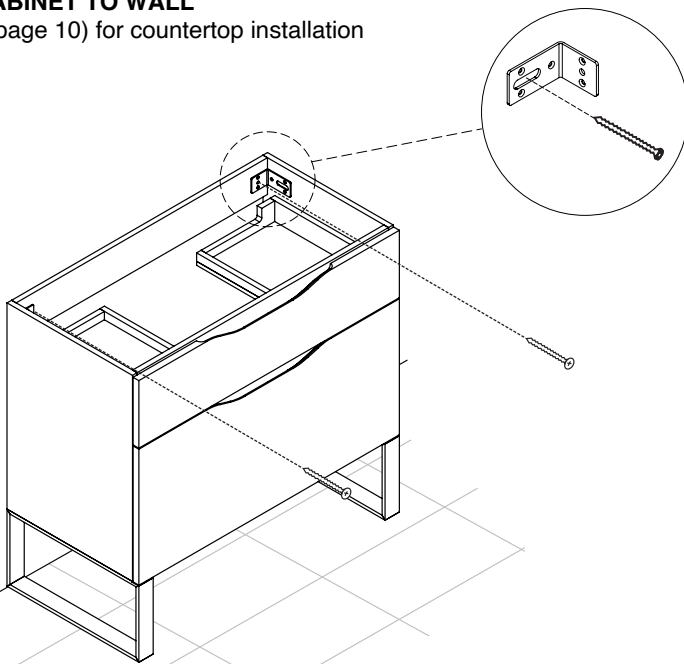
### TYPICAL INSTALLATION



**This free standing vanity must be secured to wall with screws as shown below.**

### SECURE CABINET TO WALL

See step 4 (page 10) for countertop installation



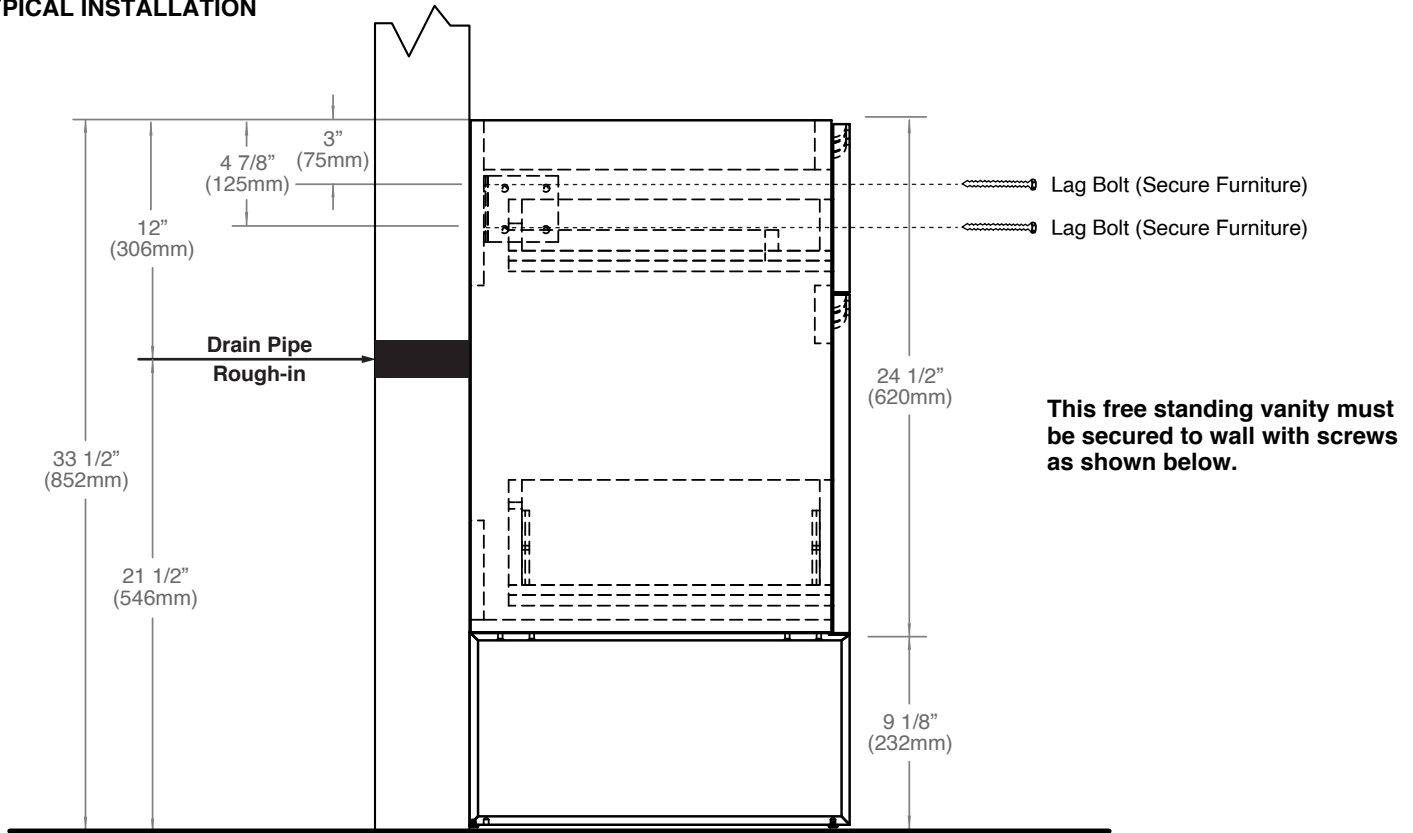
For clarification, please contact Madeli Customer Care at (800) 819-6988 Ext.1 or [service@madeli.com](mailto:service@madeli.com)  
All dimensions are approximate and subject to standard tolerance. Specifications subject to change without prior notice.

12 | Page

## Milano - FREE STANDING VANITY

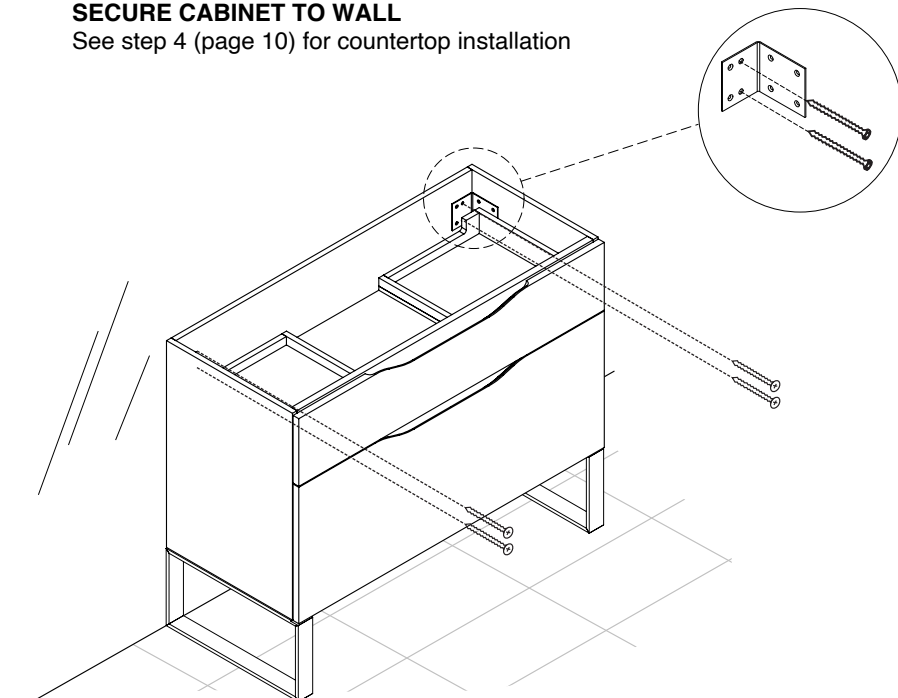
## Installation Guide

### TYPICAL INSTALLATION



### SECURE CABINET TO WALL

See step 4 (page 10) for countertop installation



For clarification, please contact Madeli Customer Care at (800) 819-6988 Ext.1 or [service@madeli.com](mailto:service@madeli.com)  
All dimensions are approximate and subject to standard tolerance. Specifications subject to change without prior notice.