

Specifications and Installation Guide

B450-Apogee Wall Hung Vanity Collection

B460-Pinnacle Free Standing Vanity Collection

Models

- B450-24-002-XX
- B450-30-002-XX
- B450-36-002-XX
- B450-42-002-XX
- B450-48C-002-XX

- B450-48D-002-XX
- B450-60C-002-XX
- B450-60D-002-XX
- B450-72D-002-XX

- B460-24-001-XX
- B460-30-001-XX
- B460-36-001-XX
- B460-42-001-XX
- B460-48C-001-XX

- B460-48D-001-XX
- B460-60C-001-XX
- B460-60D-001-XX
- B460-72D-001-XX

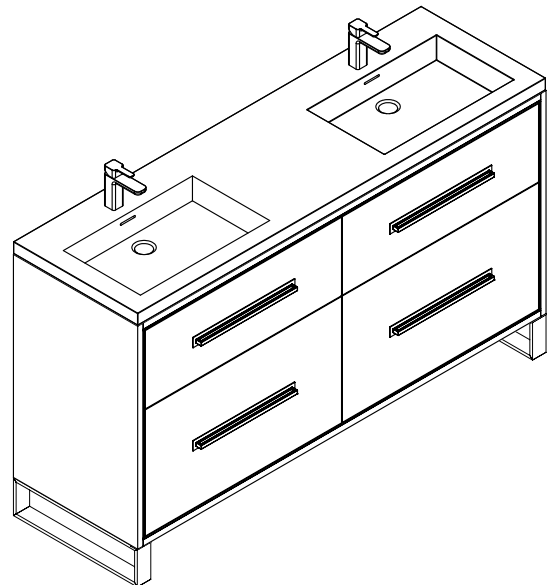
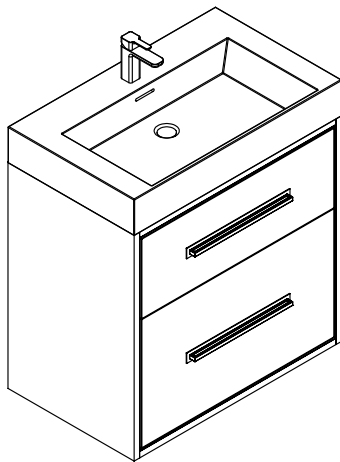


Table of Contents

	Page / Page
Specifications 24/30/36/42/48C.....	2
Specifications 48D.....	3
Specifications 60C.....	4
Specifications 60D/72D.....	5
Typical Installation: Wall Hung /B450-Villa.....	6-7
Installation Steps: Wall Hung /B450-Villa.....	8-9
Feet/Base Installation: Free Standing /B460-Estate.....	10
Typical Installation: Free Standing /B460-Estate.....	11-12

For clarification, please contact Madeli Customer Care at (800) 819-6988 Ext.1 or service@madeli.com
 Pour plus de précisions, veuillez contacter le service client Madeli au (800) 819-6988 Ext.1 ou service@madeli.com

Apogee/Pinnacle - 24"/30"/36"/42"/48" - Single Bowl

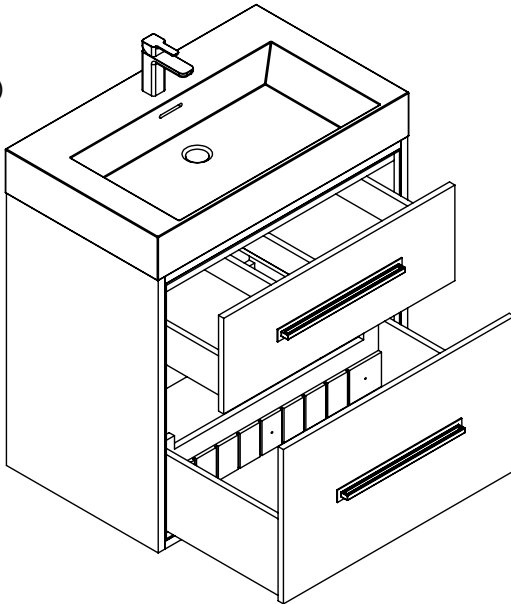
Cabinet Specifications

Features

- Apogee-Wall Hung Vanity or Pinnacle-Free Standing Vanity
- Bathroom Furniture grade plywood layered with solid wood veneer protected by polyurethane or finished with premium polyurethane solid color paints
- Matching finish inside out
- Two fully adjustable drawers with full-extension soft-close European hardware.
- Top and Bottom drawers include adjustable tempered glass dividers
- Handle/Inlay finish options: polished chrome (PC), brushed nickel (BN), polished nickel (PN), matte black (MB) and satin brass (SB)

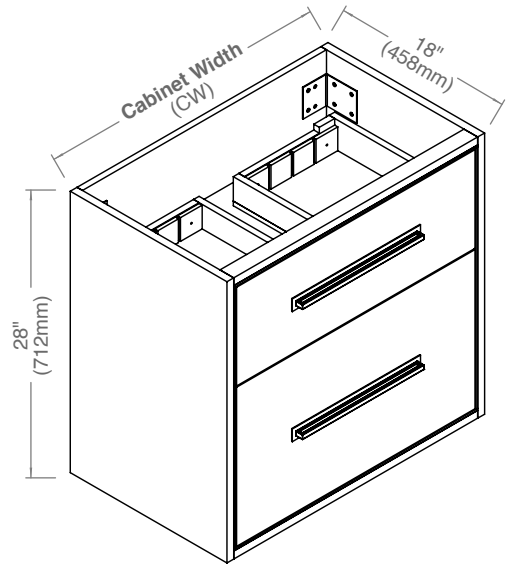
Colors/Finishes

- Sapphire (SA)
- Studio Grey (TG)
- Walnut (WA)
- White (WH)

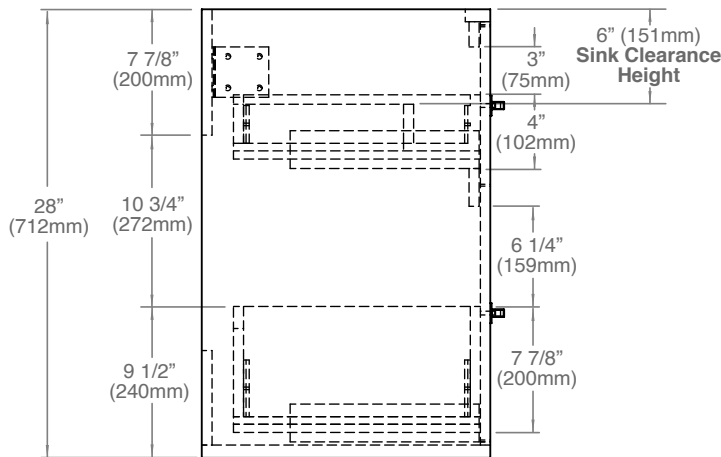


Top/Basin options

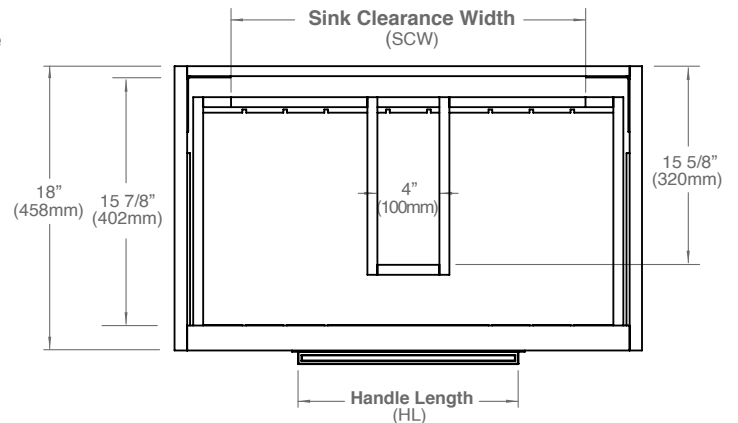
- Ceramic basins up to 36"
- Glass top/basin up to 36"
- X-Stone 1-1/2"H top/basin for all sizes
- X-Stone 4-1/2"H Trough sink for all sizes
- X-Stone Countertop
- Quartzstone 3/4"H countertop with ceramic basin for all sizes



SIDE VIEW



TOP VIEW



MODEL	CW	SCW	HL	Package Dimensions	Weight
B450/460-24-00X-XX	23 5/8" (600mm)	19" (482mm)	10 5/8" (270mm)	26"(660)x21"(533)x31-5/8"(803)	75 lbs / 34 Kgs
B450/460-30-00X-XX	29 5/8" (753mm)	22 3/8" (569mm)	14" (355mm)	32"(813)x21"(533)x31-5/8"(803)	84 lbs / 38 Kgs
B450/460-36-00X-XX	35 5/8" (905mm)	28 3/8" (721mm)	16" (406mm)	38"(965)x21"(533)x31-5/8"(803)	95 lbs / 43 Kgs
B450/460-42-00X-XX	41 5/8" (1058mm)	34 3/8" (874mm)	19 3/4" (503mm)	44"(1118)x21"(533)x31-5/8"(803)	111 lbs / 51 Kgs
B450/460-48C-00X-XX	47 5/8" (1210mm)	40 3/8" (1026mm)	21 1/2" (545mm)	50"(1270)x21"(533)x31-5/8"(803)	127 lbs / 58 Kgs

For clarification, please contact Madeli Customer Care at (800) 819-6988 Ext.1 or service@madeli.com

All dimensions are approximate and subject to standard tolerance. Specifications subject to change without prior notice.

Apogee/Pinnacle - 48" - Double Bowl

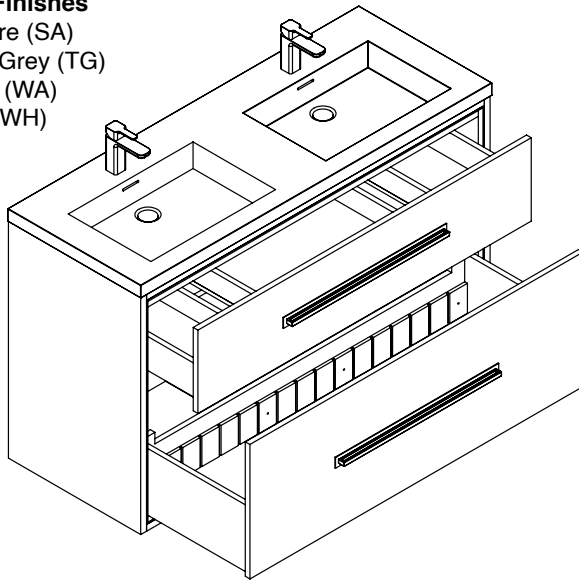
Cabinet Specifications

Features

- Apogee-Wall Hung Vanity or Pinnacle-Free Standing Vanity
- Bathroom Furniture grade plywood layered with solid wood veneer protected by polyurethane or finished with premium polyurethane solid color paints
- Matching finish inside out
- Two fully adjustable drawers with full-extension soft-close European hardware
- Top and Bottom drawers include adjustable tempered glass dividers
- Handle/Inlay finish options: polished chrome (PC), brushed nickel (BN), polished nickel (PN), matte black (MB) and satin brass (SB)

Colors/Finishes

- Sapphire (SA)
- Studio Grey (TG)
- Walnut (WA)
- White (WH)



Top/Basin options

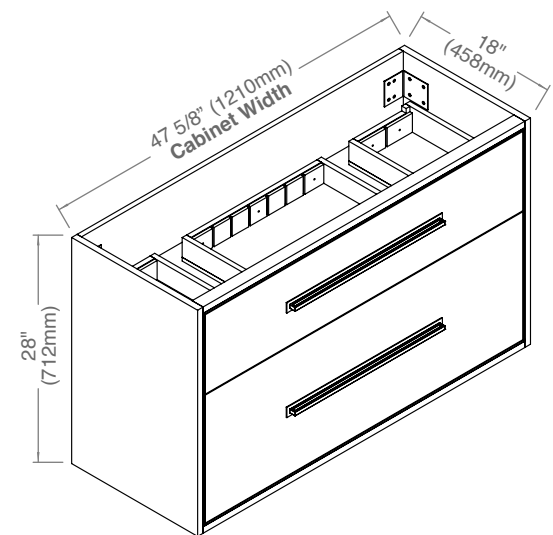
- X-Stone 1-1/2"H top/basin
- X-Stone 4-1/2"H Trough sink
- X-Stone Countertop
- Quartzstone 3/4"H countertop with ceramic basin

Package Dimensions

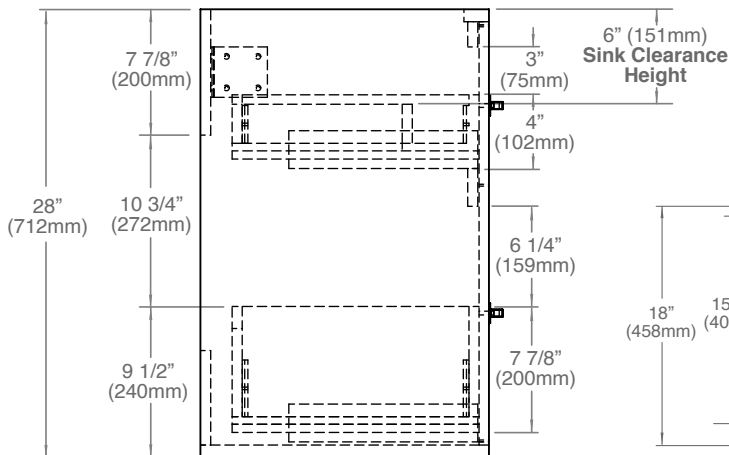
50" (1270mm) x 21" (533mm) x 31-5/8" (803mm)

Weight

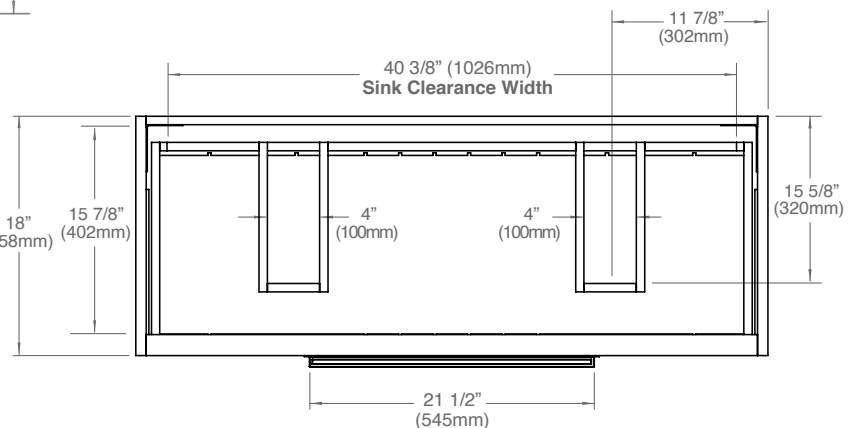
127 lbs / 58 Kgs



SIDE VIEW



TOP VIEW



For clarification, please contact Madeli Customer Care at (800) 819-6988 Ext.1 or service@madeli.com

All dimensions are approximate and subject to standard tolerance. Specifications subject to change without prior notice.

Apogee/Pinnacle - 60" - Single Bowl

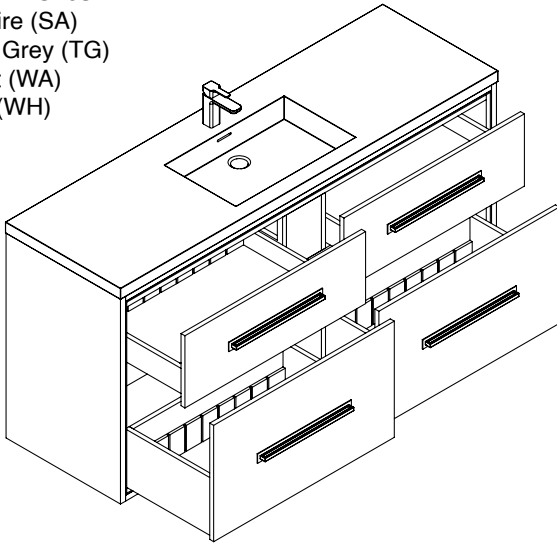
Cabinet Specifications

Features

- Apogee-Wall Hung Vanity or Pinnacle-Free Standing Vanity
- Bathroom Furniture grade plywood layered with solid wood veneer protected by polyurethane or finished with premium polyurethane solid color paints
- Matching finish inside out.
- Two fully adjustable drawers with full-extension soft-close European hardware.
- Top and Bottom drawers include adjustable tempered glass dividers
- Handle/Inlay finish options: polished chrome (PC), brushed nickel (BN), polished nickel (PN), matte black (MB) and satin brass (SB)

Colors/Finishes

- Sapphire (SA)
- Studio Grey (TG)
- Walnut (WA)
- White (WH)



Top/Basin options

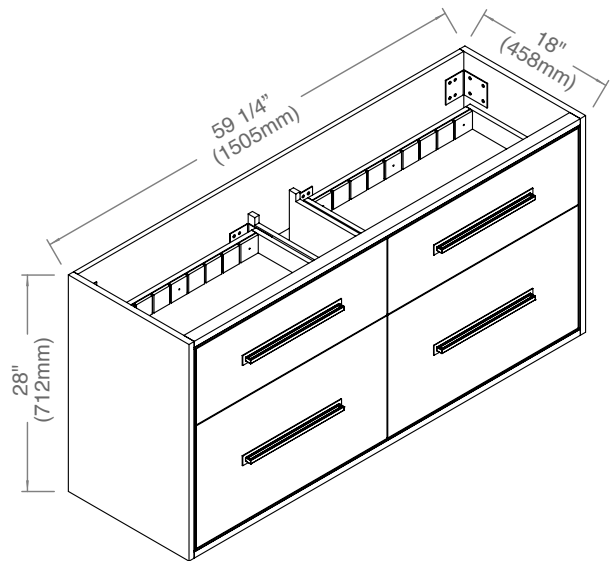
- X-Stone 1-1/2"H top/basin
- X-Stone Countertop
- Quartzstone 3/4"H countertop with ceramic basin

Package Dimensions

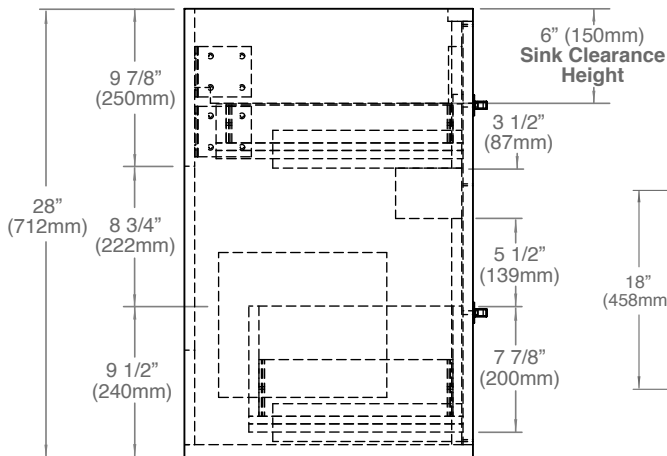
61 5/8"(1565mm) x 21"(533mm) x 31-5/8"(803mm)

Weight

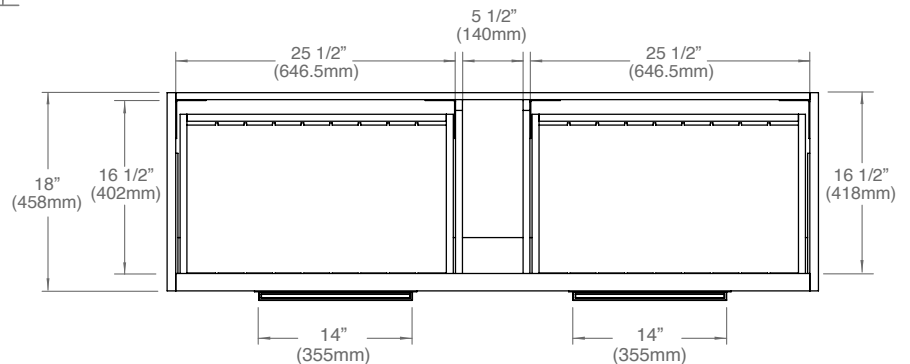
168 lbs / 76 kgs



SIDE VIEW



TOP VIEW



For clarification, please contact Madeli Customer Care at (800) 819-6988 Ext.1 or service@madeli.com

All dimensions are approximate and subject to standard tolerance. Specifications subject to change without prior notice.

Apogee/Pinnacle - 60"/72" Double Bowl

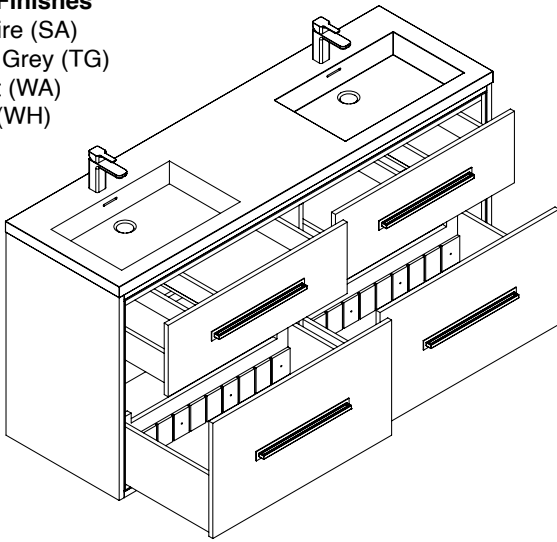
Cabinet Specifications

Features

- Apogee-Wall Hung Vanity or Pinnacle-Free Standing Vanity
- Bathroom Furniture grade plywood layered with solid wood veneer protected by polyurethane or finished with premium polyurethane solid color paints
- Matching finish inside out
- Two fully adjustable drawers with full-extension soft-close European hardware
- Top and Bottom drawers include adjustable tempered glass dividers
- Handle/Inlay finish options: polished chrome (PC), brushed nickel (BN), polished nickel (PN), matte black (MB) and satin brass (SB)

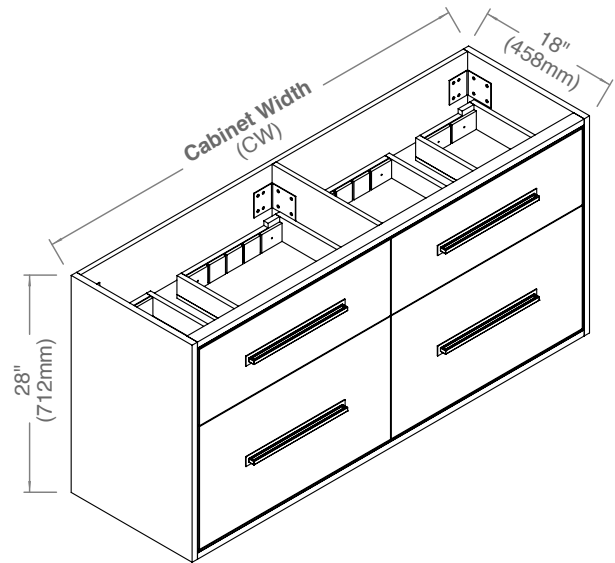
Colors/Finishes

- Sapphire (SA)
- Studio Grey (TG)
- Walnut (WA)
- White (WH)

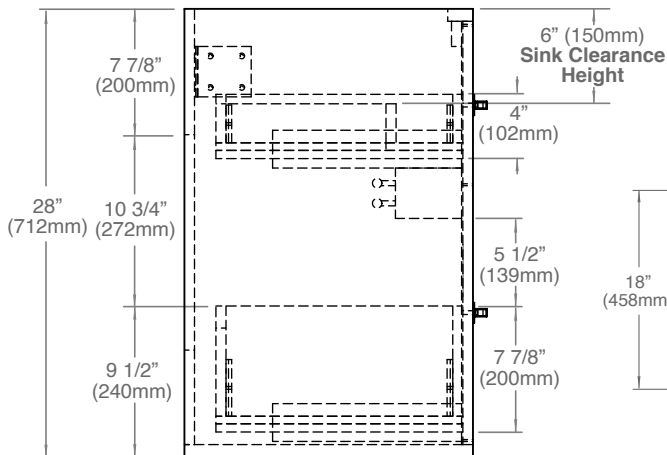


Top/Basin options

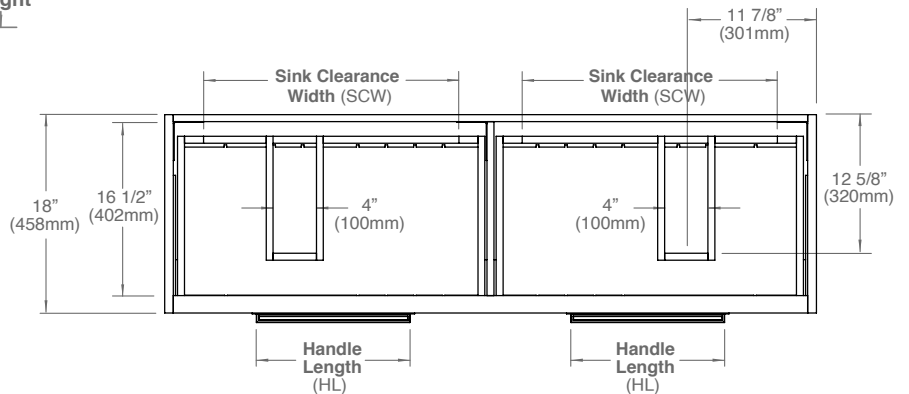
- X-Stone 1-1/2"H top/basin
- X-Stone 4-1/2"H Trough sink
- X-Stone Countertop
- Quartzstone 3/4"H countertop with ceramic basin



SIDE VIEW



TOP VIEW



MODEL	CW	SCW	HL	Package Dimensions	Weight
B450/460-60D-00X-XX	59 1/4" (1505mm)	23 7/8" (607mm)	14" (355mm)	61 5/8" (1565)x21" (533)x31-5/8" (803)	168 lbs / 76 kgs
B450/460-72D-00X-XX	71 1/16" (1805mm)	29 3/4" (757mm)	16" (406mm)	73 3/8" (1865)x21" (533)x31-5/8" (803)	183 lbs / 83 kgs

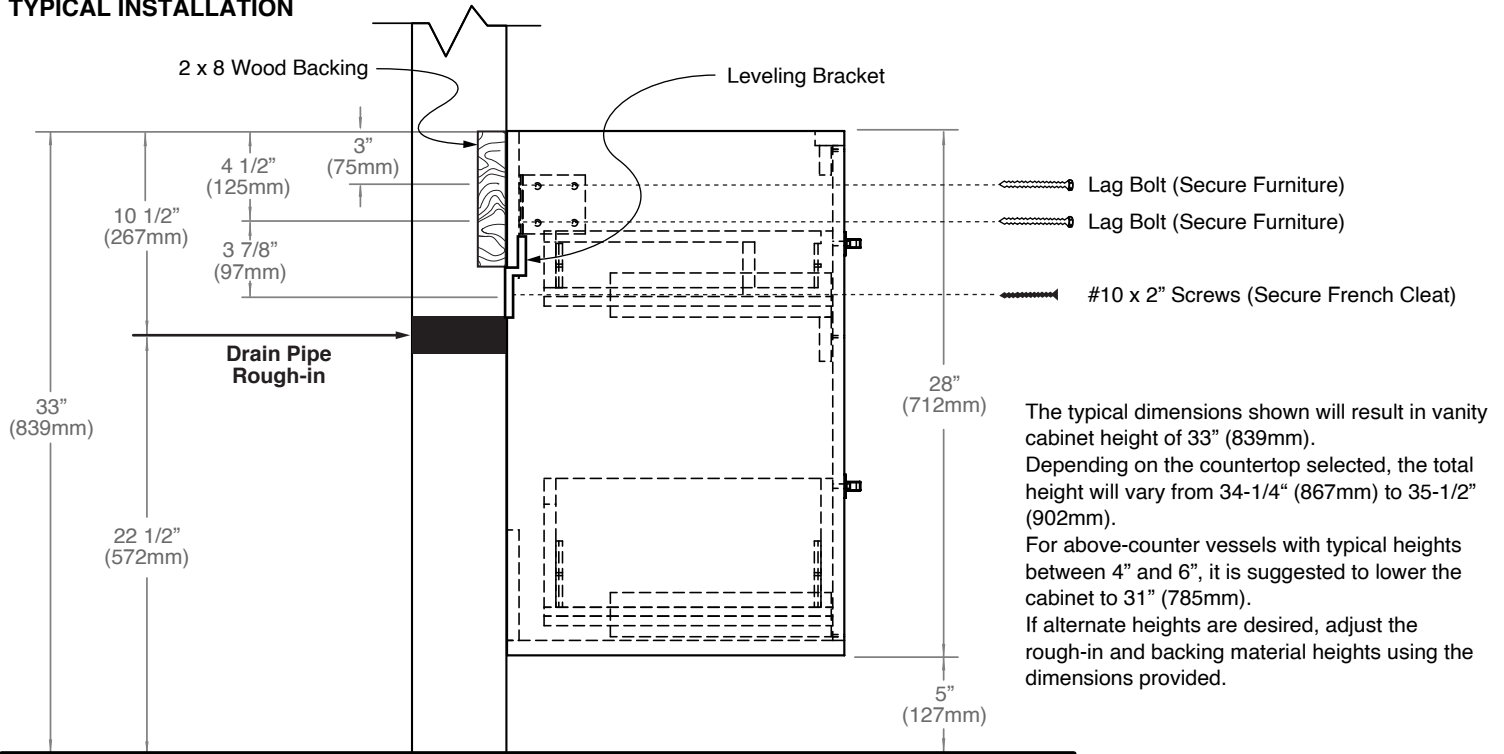
For clarification, please contact Madeli Customer Care at (800) 819-6988 Ext.1 or service@madeli.com

All dimensions are approximate and subject to standard tolerance. Specifications subject to change without prior notice.

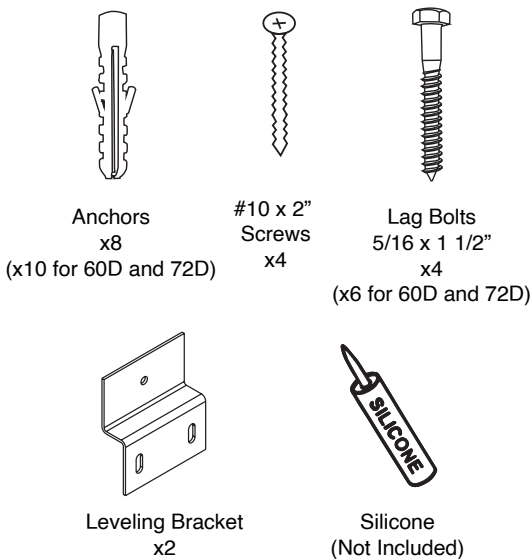
Apogee - WALL HUNG VANITY

Installation Guide

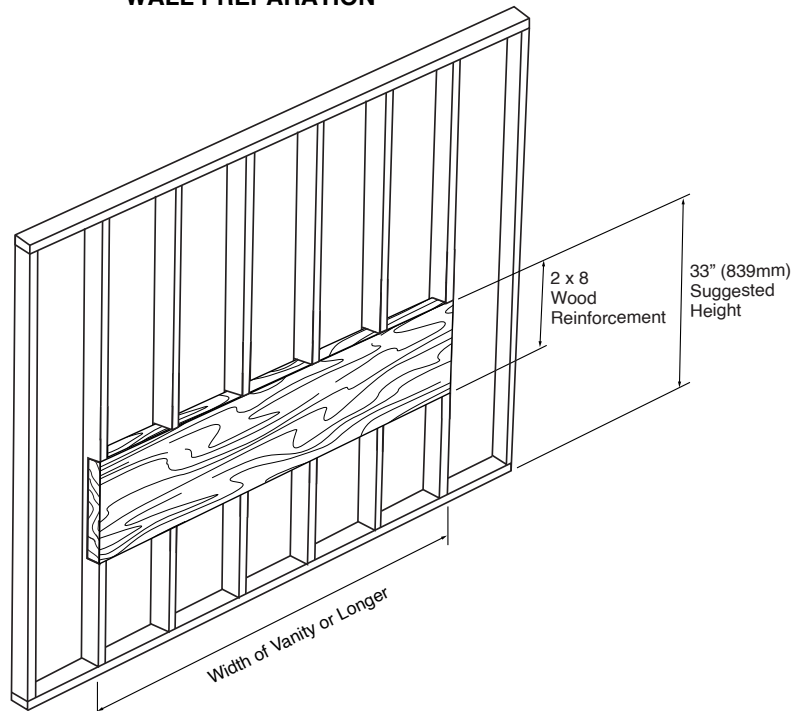
TYPICAL INSTALLATION



ACCESSORIES FOR INSTALLATION



WALL PREPARATION

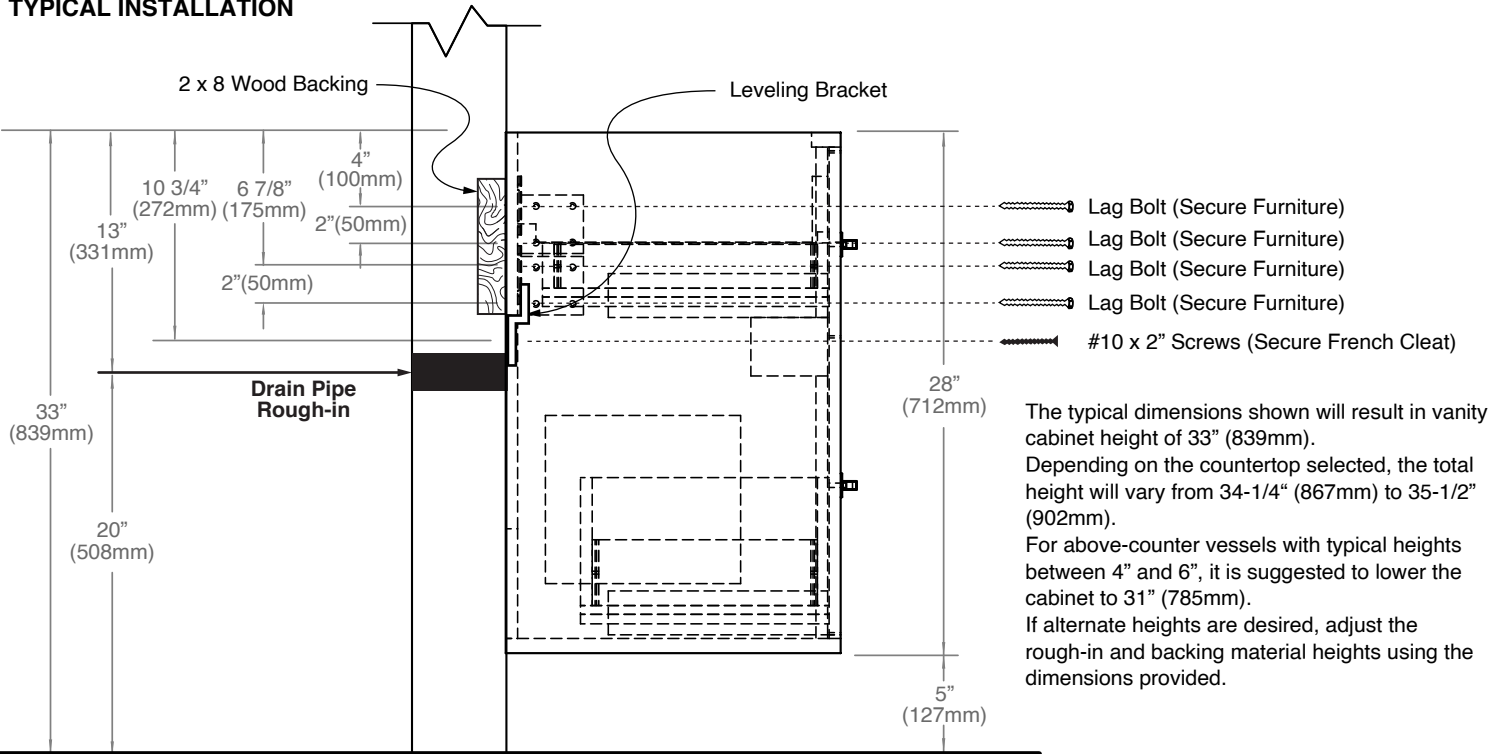


For clarification, please contact Madeli Customer Care at (800) 819-6988 Ext.1 or service@madeli.com
 All dimensions are approximate and subject to standard tolerance. Specifications subject to change without prior notice.

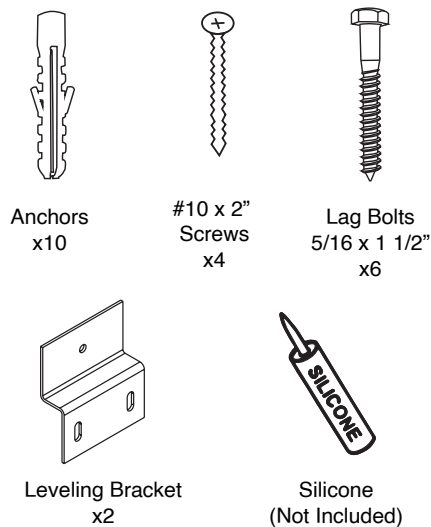
Apogee - WALL HUNG VANITY

Installation Guide

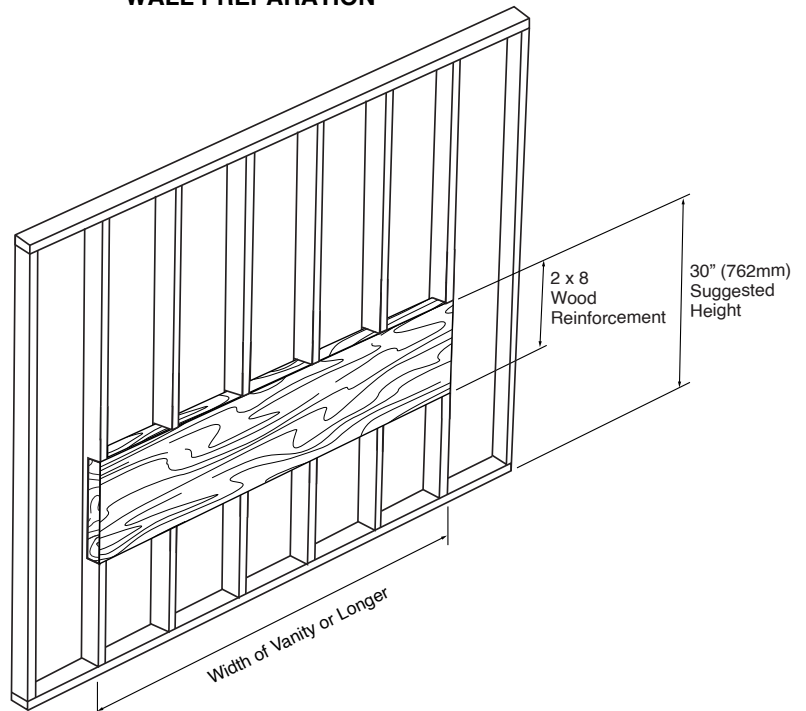
TYPICAL INSTALLATION



ACCESSORIES FOR INSTALLATION



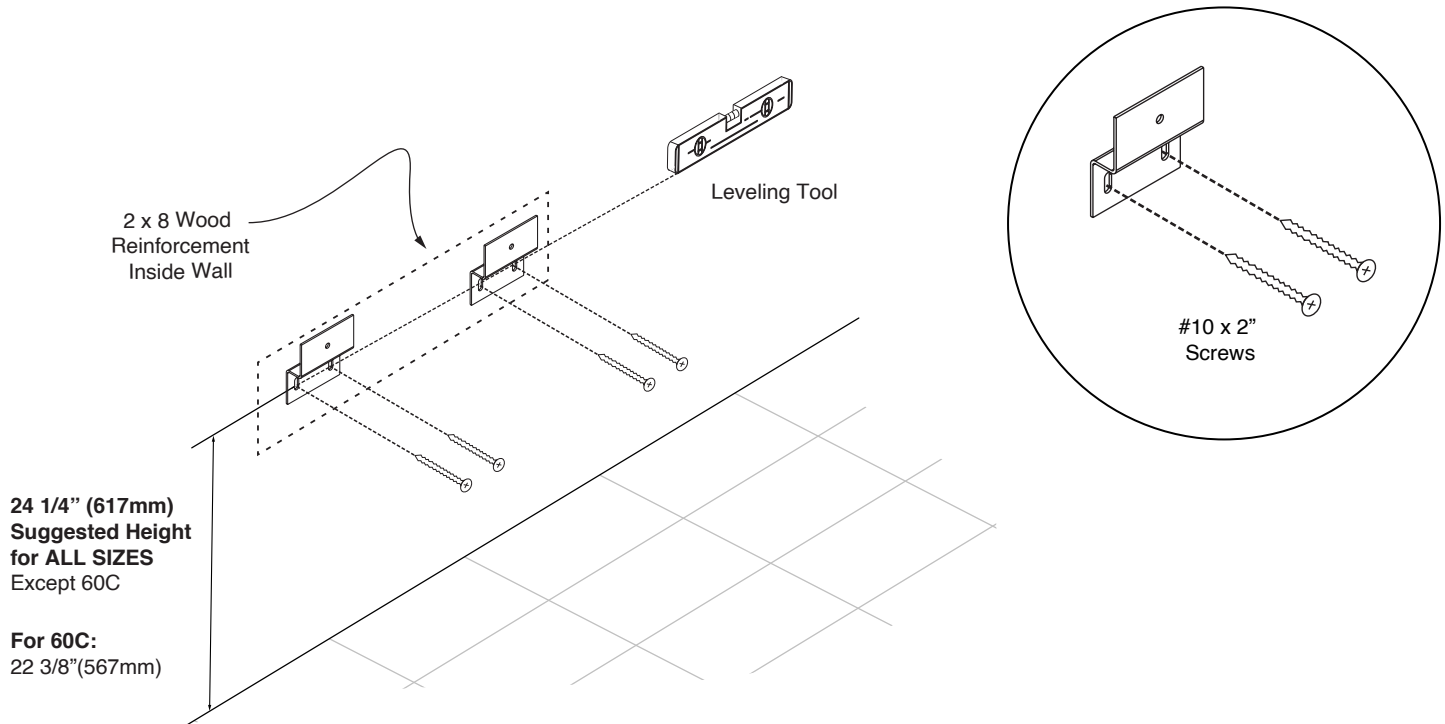
WALL PREPARATION



Apogee - WALL HUNG VANITY

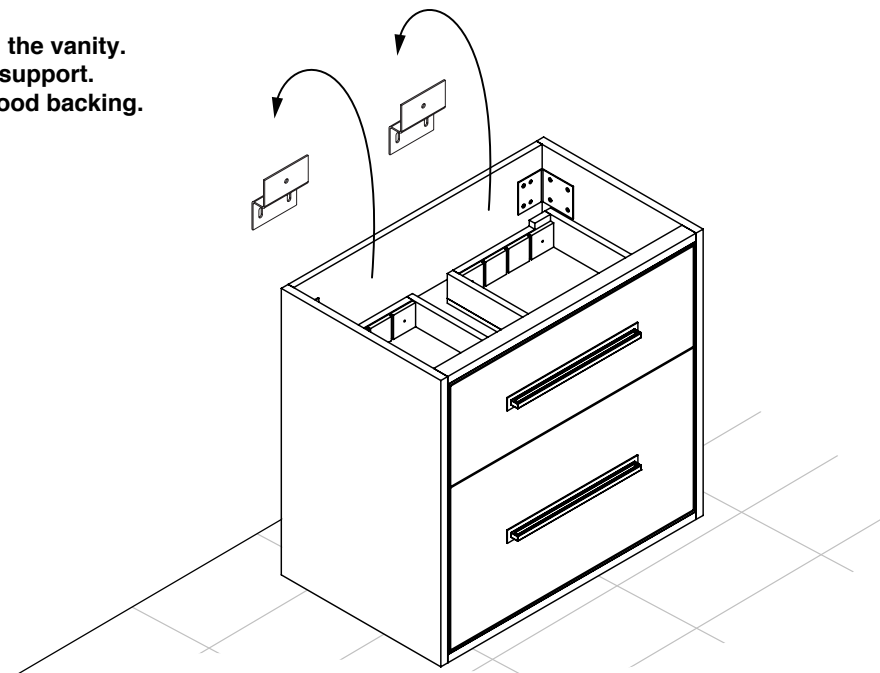
Installation Guide

STEP 1: Install leveling brackets



STEP 2: Place vanity on leveling bracket.

The leveling brackets are only to level the vanity.
They are not designed for permanent support.
The cabinet needs to be secured to wood backing.

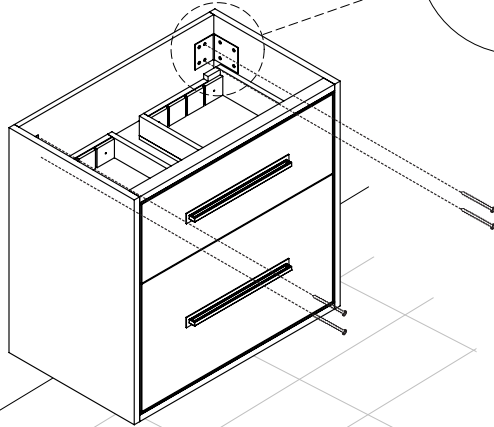
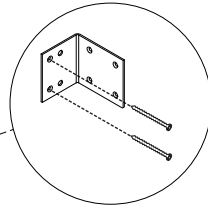


Apogee - WALL HUNG VANITY

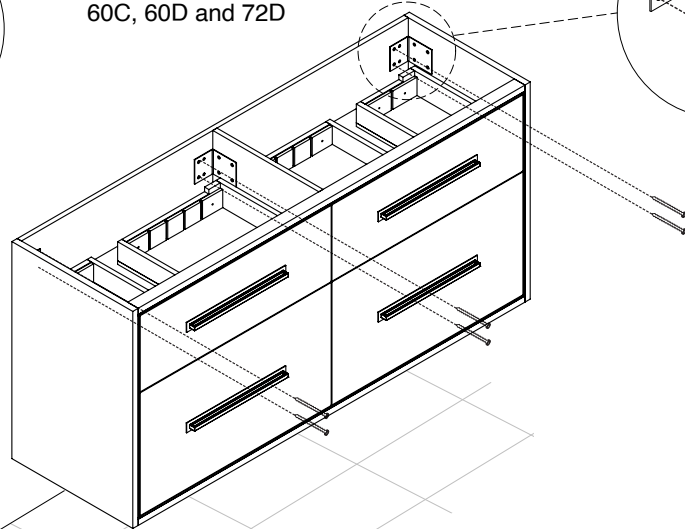
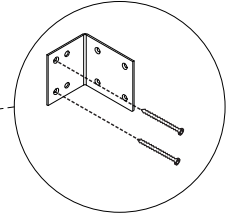
Installation Guide

STEP 3: Secure vanity to wood reinforcement backing.

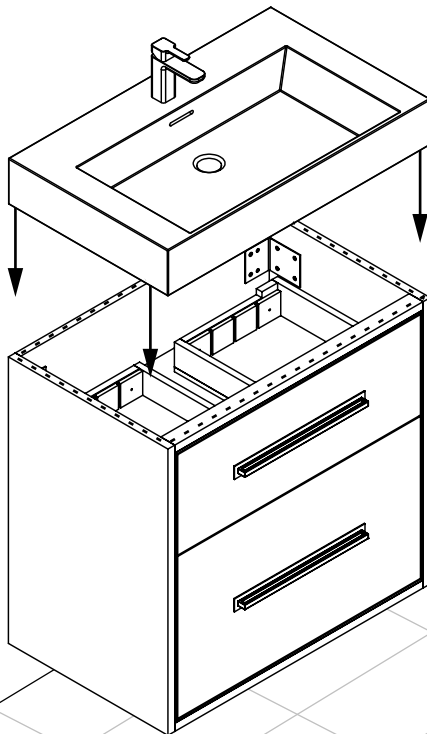
4 Screws for sizes
24, 30, 36, 42, 48C and 48D



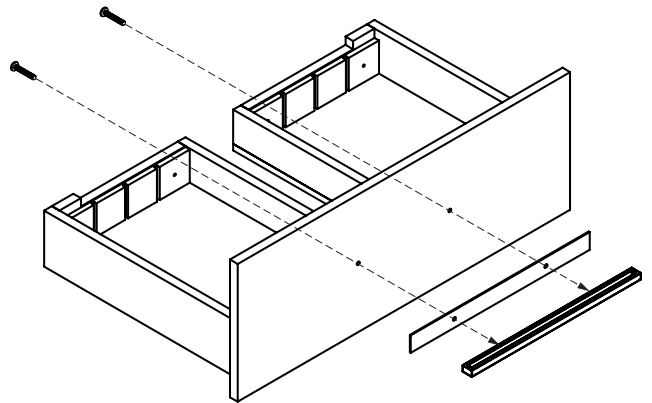
6 Screws for sizes
60C, 60D and 72D



STEP 4: Install countertop with silicone and handle as shown below.



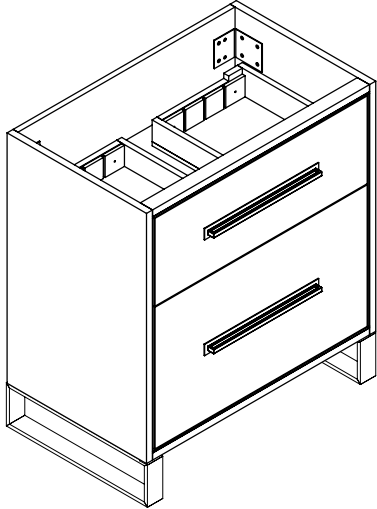
HANDLE INSTALLATION



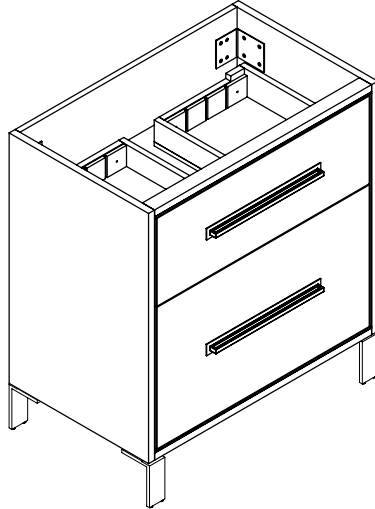
Pinnacle - FREE STANDING VANITY

Feet/Base Installation

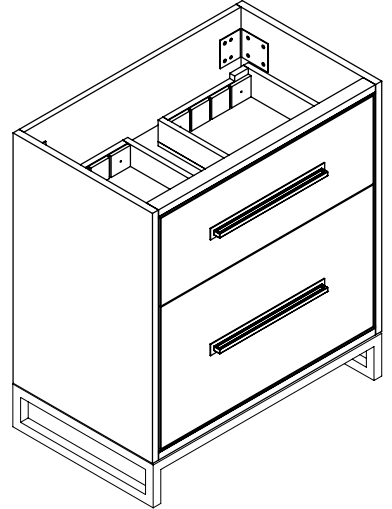
S-FEET



L-FEET



C-BASE



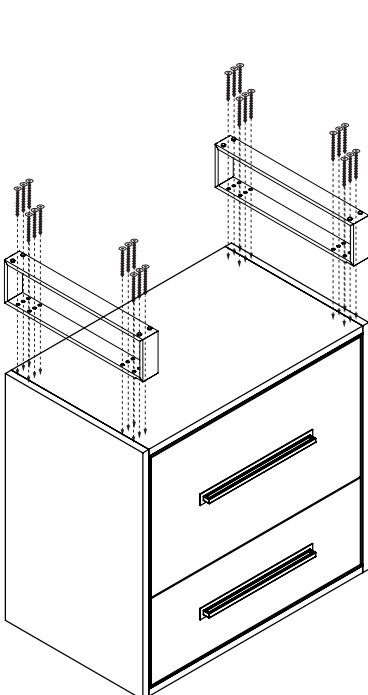
FEET/BASE INSTALLATION

1. Flip cabinet in the upside down position.
2. Mark screw locations using legs/base as template.
3. Pre-drill holes with 5/64", 3/32" or 7/64" drill bit about 1/2" deep.
4. Using provided screws, fix legs/base to cabinet as shown below.

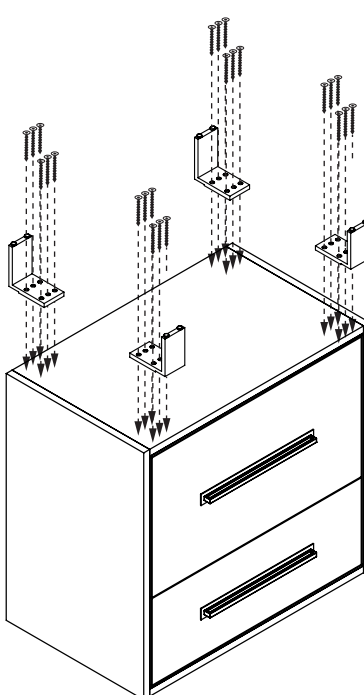
If using a regular battery drill, set clutch to minimum and increase setting as needed.

DO NOT OVER TIGHTEN THE SCREWS. DOING SO WILL SPLIT THE WOOD SIDE PANEL.

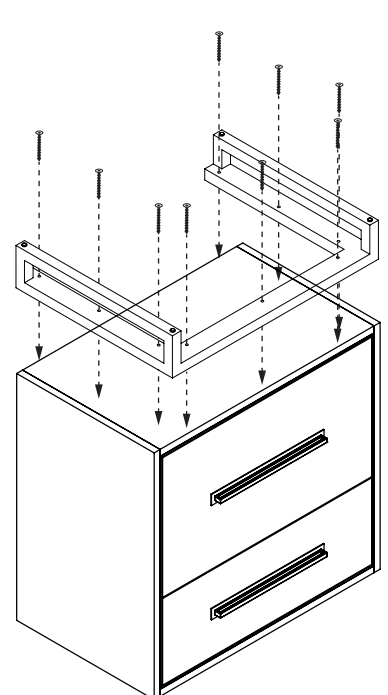
S-FEET INSTALLATION



L-FEET INSTALLATION



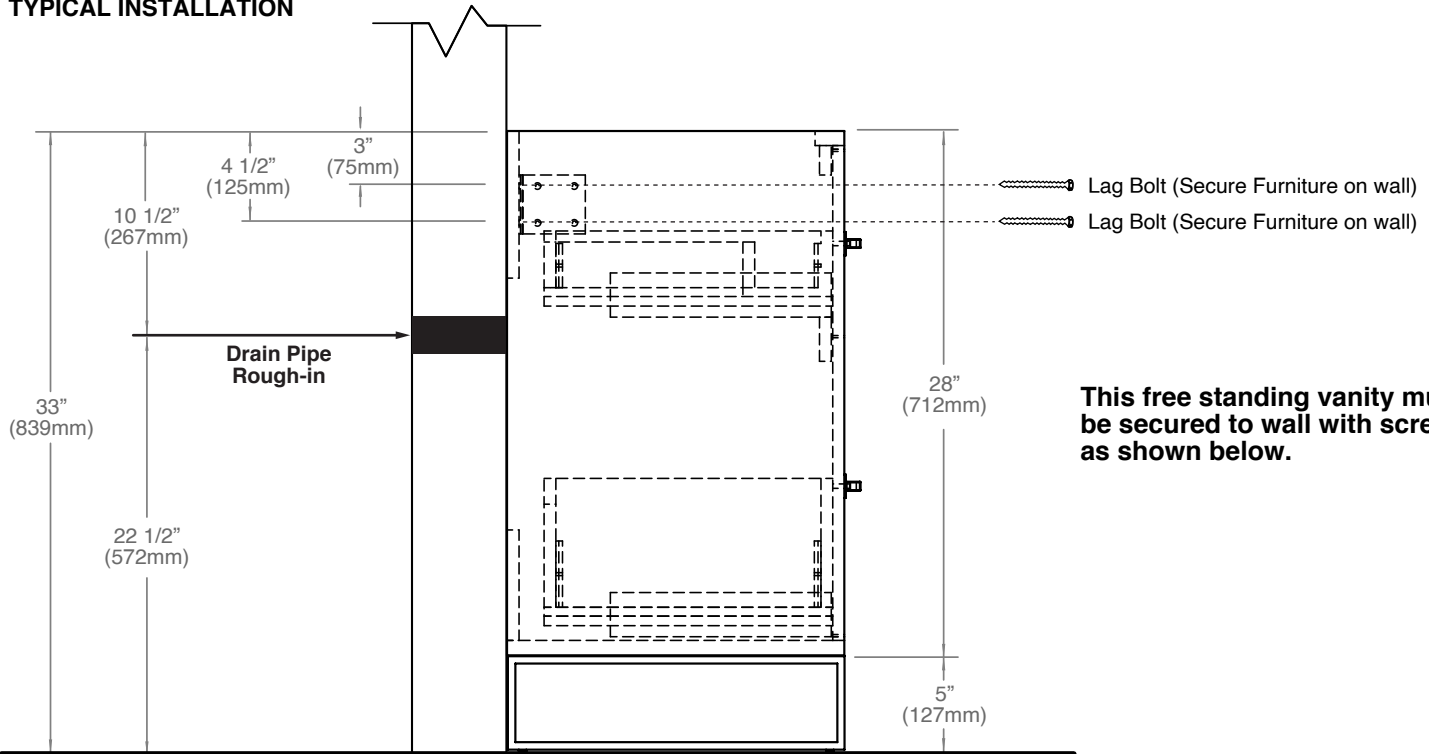
C-BASE INSTALLATION



Pinnacle - FREE STANDING VANITY

Installation Guide

TYPICAL INSTALLATION



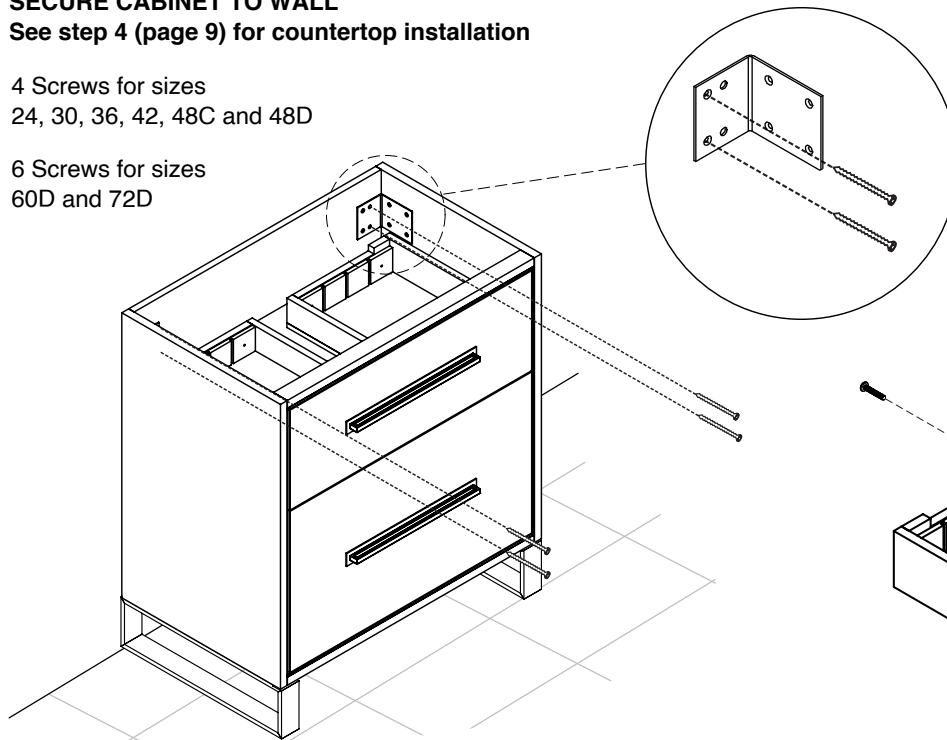
This free standing vanity must be secured to wall with screws as shown below.

SECURE CABINET TO WALL

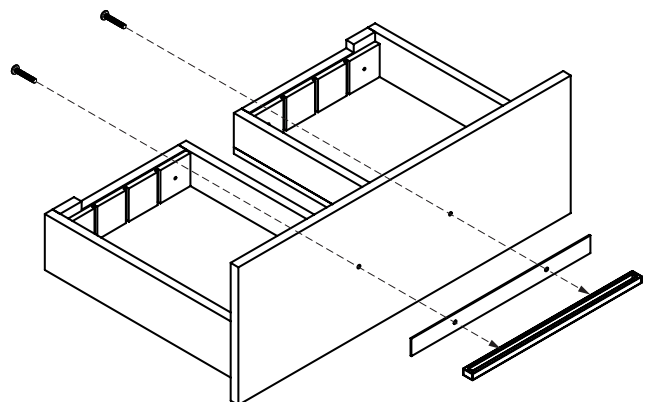
See step 4 (page 9) for countertop installation

4 Screws for sizes
24, 30, 36, 42, 48C and 48D

6 Screws for sizes
60D and 72D



HANDLE INSTALLATION

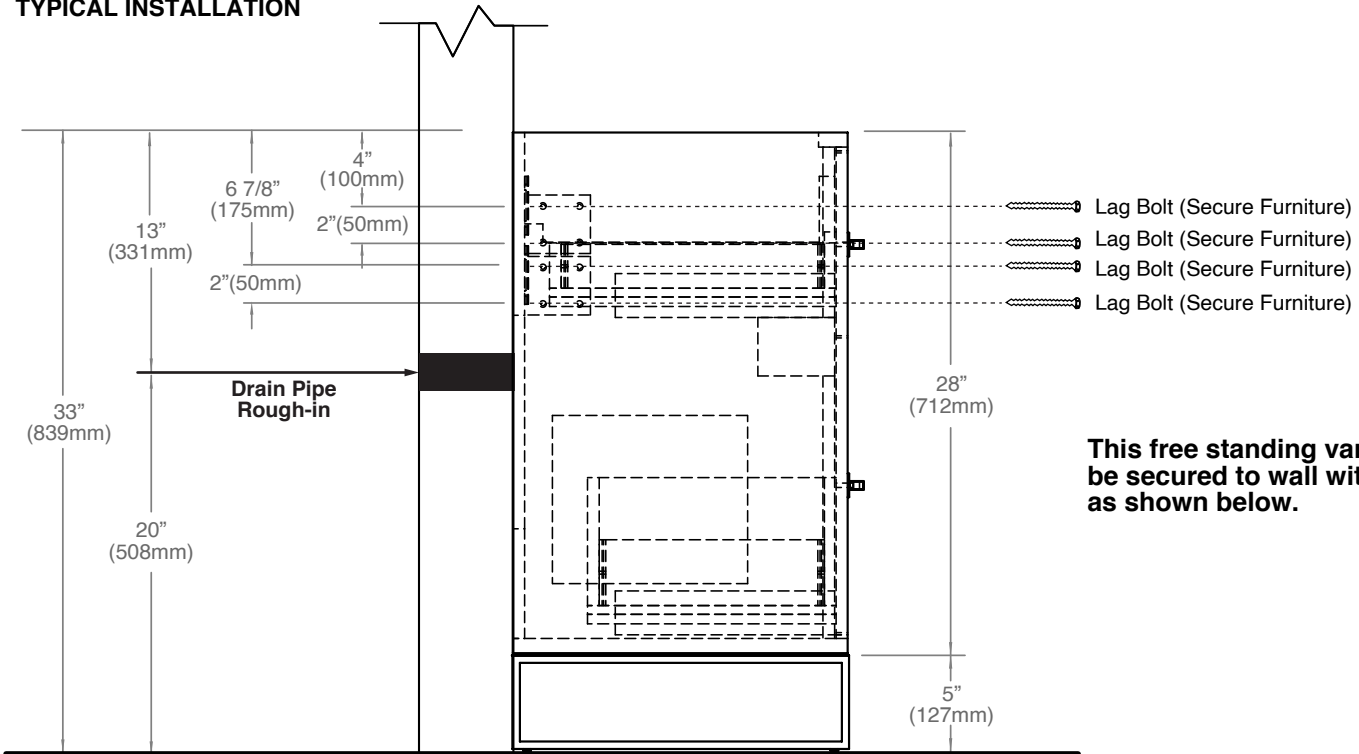


For clarification, please contact Madeli Customer Care at (800) 819-6988 Ext.1 or service@madeli.com
All dimensions are approximate and subject to standard tolerance. Specifications subject to change without prior notice.

Pinnacle - FREE STANDING VANITY

Installation Guide

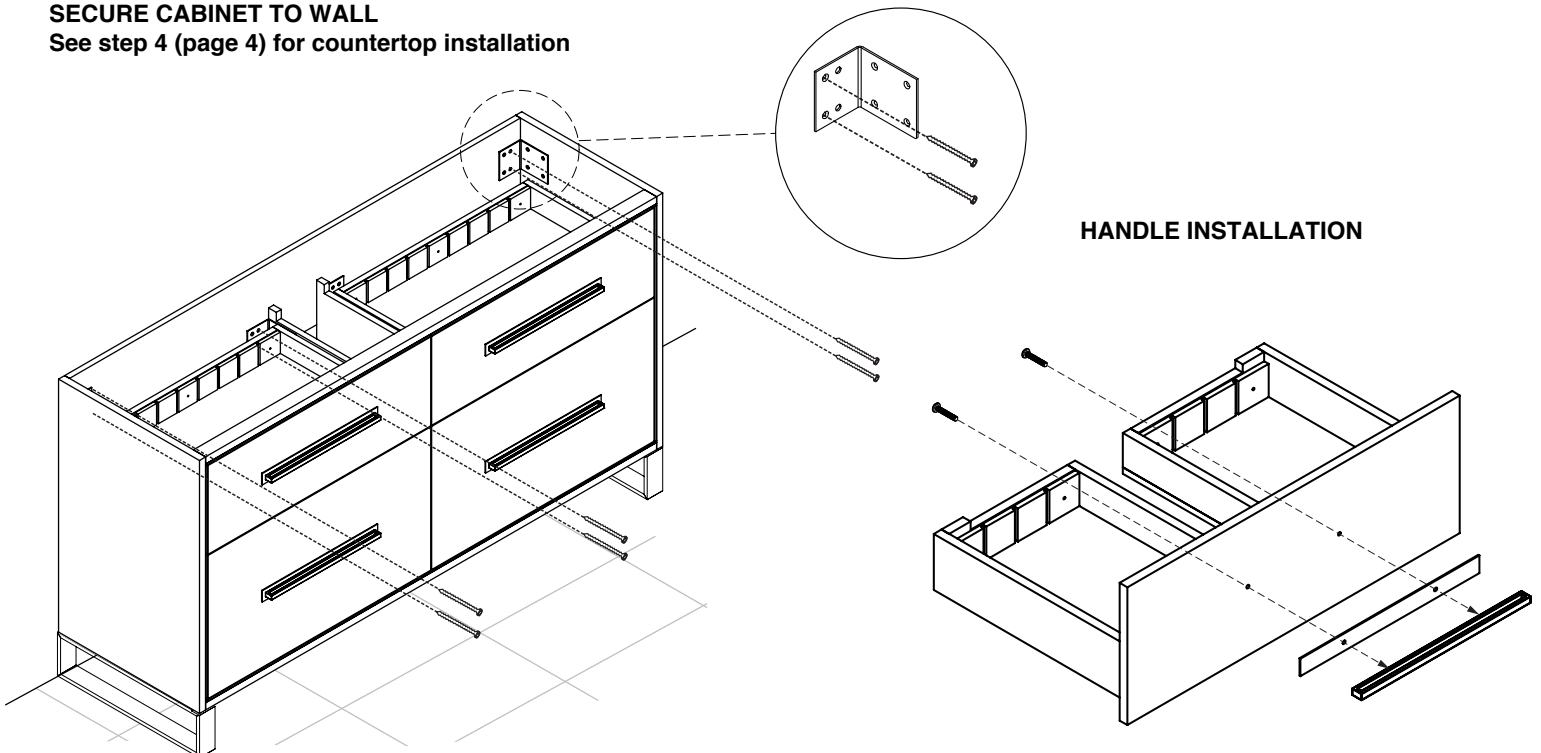
TYPICAL INSTALLATION



This free standing vanity must be secured to wall with screws as shown below.

SECURE CABINET TO WALL

See step 4 (page 4) for countertop installation



For clarification, please contact Madeli Customer Care at (800) 819-6988 Ext.1 or service@madeli.com
All dimensions are approximate and subject to standard tolerance. Specifications subject to change without prior notice.