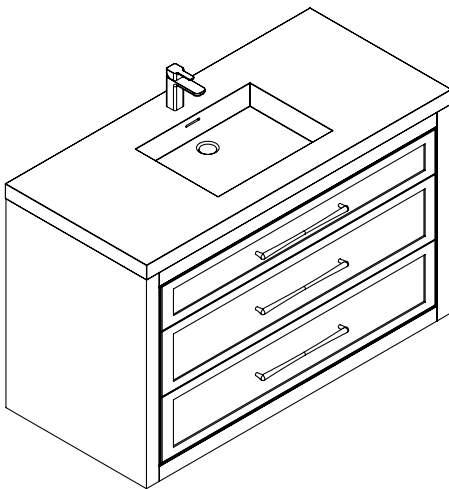


Specifications and Installation Guide

B855-Renaissance Wall Hung Vanity Collection

Models

- B855-24-002-XX
- B855-30-002-XX
- B855-36-002-XX
- B855-42-002-XX
- B855-48C-002-XX
- B855-48D-002-XX
- B855-60C-002-XX
- B855-60D-002-XX
- B855-72D-002-XX



B865-Vision Free Standing Vanity Collection

- B865-24-001-XX
- B865-30-001-XX
- B865-36-001-XX
- B865-42-001-XX
- B865-48C-001-XX
- B865-48D-001-XX
- B865-60C-001-XX
- B865-60D-001-XX
- B865-72D-001-XX

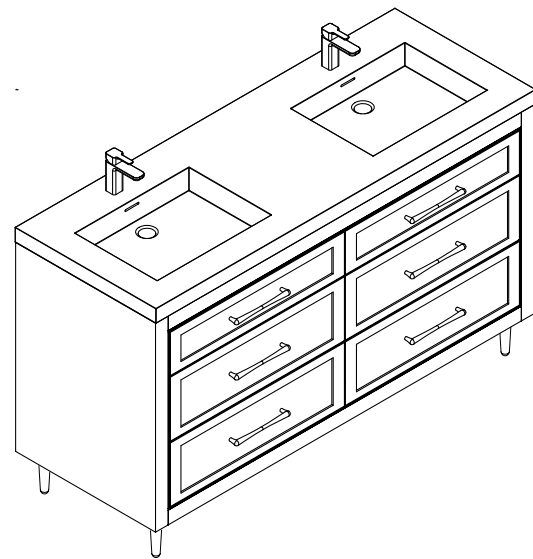


Table of Contents

	Page / Page
Specifications 24/30/36/42/48C.....	2
Specifications 48D.....	3
Specifications 60C.....	4
Specifications 60D/72D.....	5
Typical Installation: Wall Hung /B855-Renaissance.....	6
Installation Steps: Wall Hung /B855-Renaissance.....	7-8
Feet/Base Installation: Free Standing /B865-Vision.....	9
Typical Installation: Free Standing /B865-Vision.....	10

For clarification, please contact Madeli Customer Care at (800) 819-6988 Ext.1 or service@madeli.com
 Pour plus de précisions, veuillez contacter le service client Madeli au (800) 819-6988 Ext.1 ou service@madeli.com

Renaissance/Vision - 24"/30"/36"/42"/48" - Single Bowl

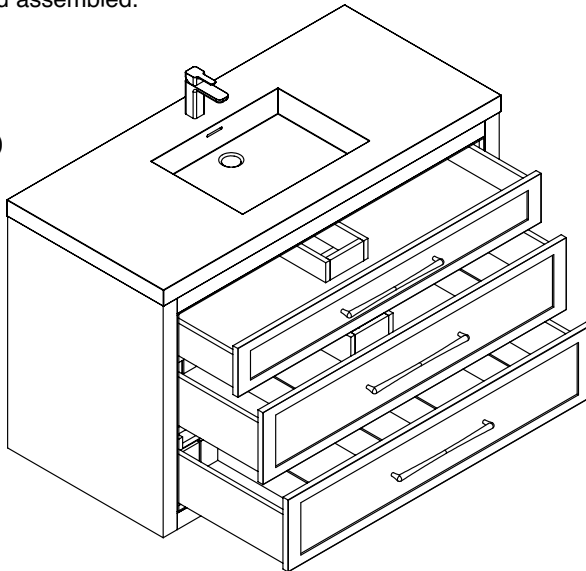
Cabinet Specifications

Features

- Renaissance-Wall hung vanity or Vision-Free Standing Vanity
- Bathroom Furniture grade plywood layered with solid wood veneer protected by polyurethane or finished with premium polyurethane solid color paints
- Matching finish inside out
- Three fully adjustable drawers with full-extension soft-close European hardware.
- Middle and Bottom drawers include adjustable tempered glass dividers
- Handle/Inlay/Feet finish options: polished chrome (PC), brushed nickel (BN), polished nickel (PN), matte black (MB) and satin brass (SB)
- Cabinet furnished assembled.

Colors/Finishes

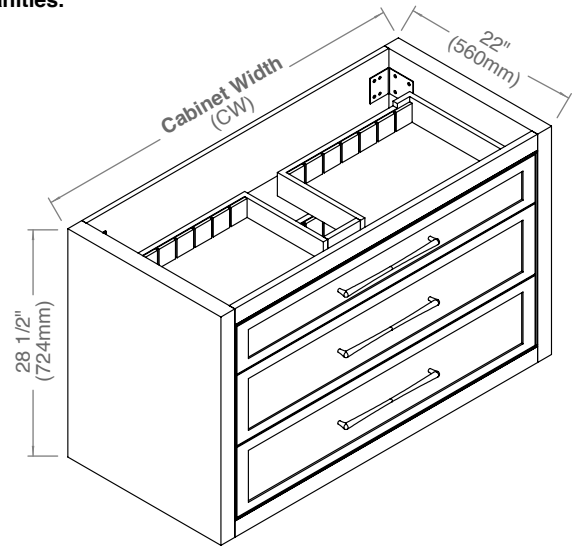
- Sapphire (SA)
- Studio Grey (TG)
- Brandy (BR)
- White (WH)



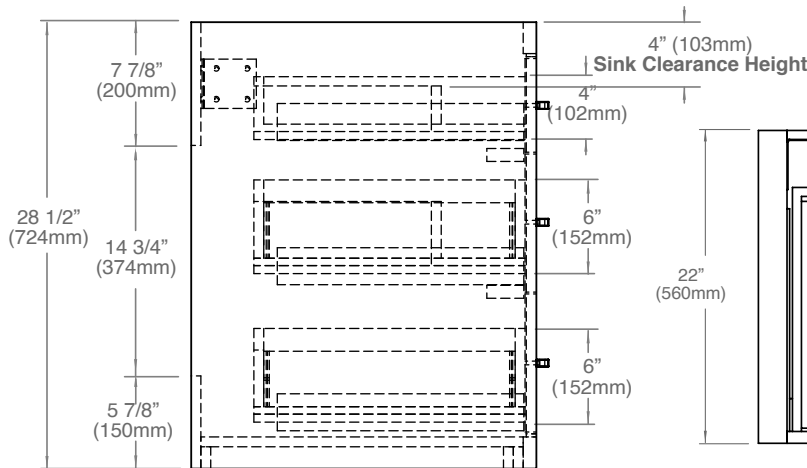
Top/Basin options

- Glass countertop with above-counter ceramic basin.
- Glossy White X-Stone 2"H top/basin
- Glossy White X-Stone 4-1/2" H Trough sink
- X-Stone 3/4"H countertop no holes. To be field drilled.
- X-Stone 3/4"H countertop with above-counter ceramic basin
- Quartzstone 3"H countertop with undermount ceramic basin

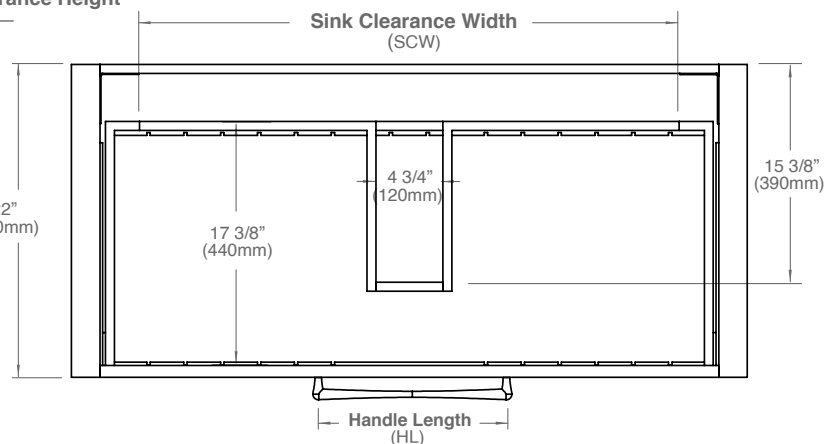
NOTE: All 3/4" countertops with undermount sinks including Madeli's Quartzstone QST2208 collection and CB-2015 cannot be used on the Villa-B850 & Estate-B860 vanities.



SIDE VIEW



TOP VIEW



MODEL	CW	SCW	HL (C.C.)	Package Dimensions	Weight
B855/B865-24-00X-XX	23 5/8" (600mm)	14" (356mm)	8" (203mm)	28"(711) x 26"(660) x 33"(838)	110 lbs / 50 Kgs
B855/B865-30-00X-XX	29 5/8" (753mm)	20" (509mm)	8" (203mm)	34"(864) x 26"(660) x 33"(838)	130 lbs / 59 Kgs
B855/B865-36-00X-XX	35 5/8" (905mm)	26" (661mm)	11" (279mm)	40"(1016) x 26"(660) x 33"(838)	145 lbs / 66 Kgs
B855/B865-42-00X-XX	41 5/8" (1058mm)	32" (814mm)	11" (279mm)	46"(1168) x 26"(660) x 33"(838)	165 lbs / 75 Kgs
B855/B865-48C-00X-XX	47 5/8" (1210mm)	38" (966mm)	13" (330mm)	52"(1321) x 26"(660) x 33"(838)	172 lbs / 78 Kgs

For clarification, please contact Madeli Customer Care at (800) 819-6988 Ext.1 or service@madeli.com

All dimensions are approximate and subject to standard tolerance. Specifications subject to change without prior notice.

Renaissance/Vision - 48" - Double Bowl

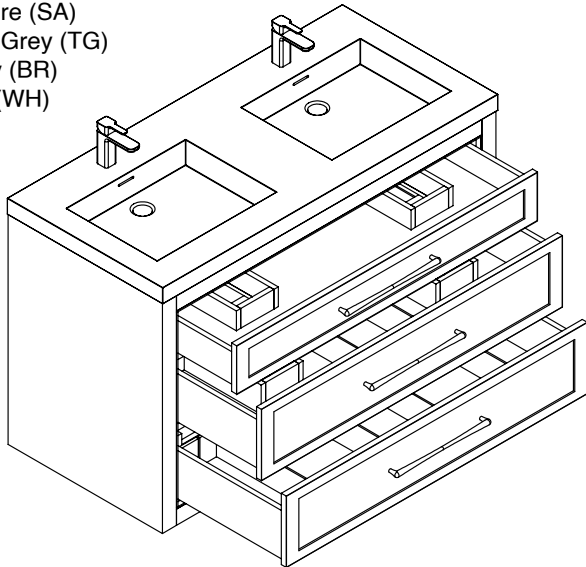
Cabinet Specifications

Features

- Renaissance-Wall hung vanity or Vision-Free Standing Vanity
- Bathroom Furniture grade plywood layered with solid wood veneer protected by polyurethane or finished with premium polyurethane solid color paints
- Matching finish inside out
- Three fully adjustable drawers with full-extension soft-close European hardware.
- Middle and Bottom drawers include adjustable tempered glass dividers
- Handle/Inlay/Feet finish options: polished chrome (PC), brushed nickel (BN), polished nickel (PN), matte black (MB) and satin brass (SB)
- Cabinet furnished assembled.

Colors/Finishes

- Sapphire (SA)
- Studio Grey (TG)
- Brandy (BR)
- White (WH)



Top/Basin options

- Glass countertop with above-counter ceramic basin.
- Glossy White X-Stone 2"H top/basin
- Glossy White X-Stone 4-1/2" H Trough sink
- X-Stone 3/4"H countertop no holes. To be field drilled.
- X-Stone 3/4"H countertop with above-counter ceramic basin
- Quartzstone 3"H countertop with undermount ceramic basin

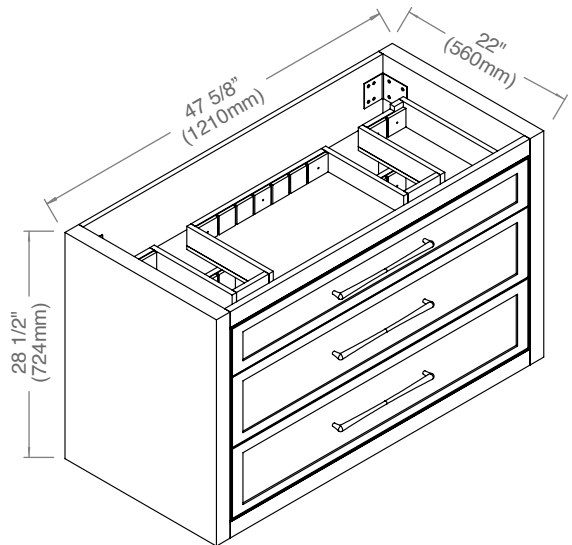
Package Dimensions

52"(1321mm) x 26"(660mm) x 36"(914mm)

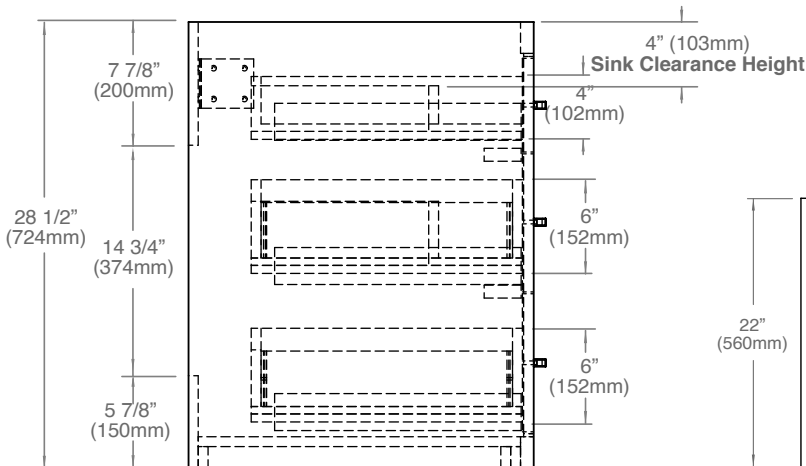
Weight

172 lbs / 78 kgs.

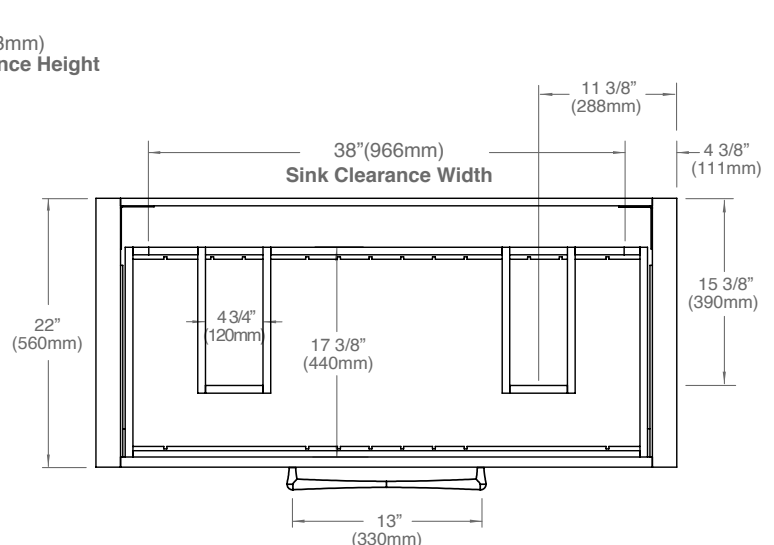
NOTE: All 3/4" countertops with undermount sinks including Madeli's Quartzstone QST2208 collection and CB-2015 cannot be used on the Villa-B850 & Estate-B860 vanities.



SIDE VIEW



TOP VIEW



For clarification, please contact Madeli Customer Care at (800) 819-6988 Ext.1 or service@madeli.com

All dimensions are approximate and subject to standard tolerance. Specifications subject to change without prior notice.

Renaissance/Vision - 60" Single Bowl

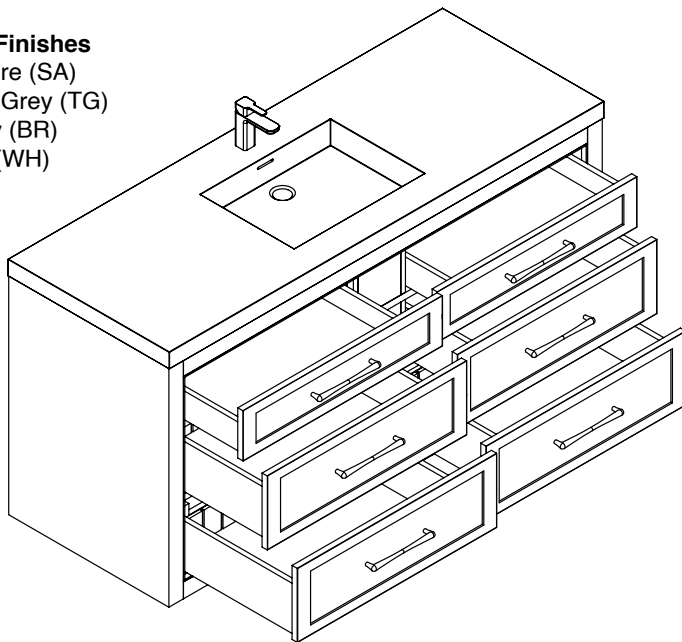
Cabinet Specifications

Features

- Renaissance-Wall hung vanity or Vision-Free Standing Vanity
- Bathroom Furniture grade plywood layered with solid wood veneer protected by polyurethane or finished with premium polyurethane solid color paints
- Matching finish inside out
- Six fully adjustable drawers with full-extension soft-close European hardware.
- Middle and Bottom drawers include adjustable tempered glass dividers
- Handle/Inlay/Feet finish options: polished chrome (PC), brushed nickel (BN), polished nickel (PN), matte black (MB) and satin brass (SB)
- Cabinet furnished assembled.

Colors/Finishes

- Sapphire (SA)
- Studio Grey (TG)
- Brandy (BR)
- White (WH)



Top/Basin options

- Glass countertop with above-counter ceramic basin.
- Glossy White X-Stone 2"H top/basin
- Glossy White X-Stone 4-1/2" H Trough sink
- X-Stone 3/4"H countertop no holes. To be field drilled.
- X-Stone 3/4"H countertop with above-counter ceramic basin
- Quartzstone 3"H countertop with undermount ceramic basin

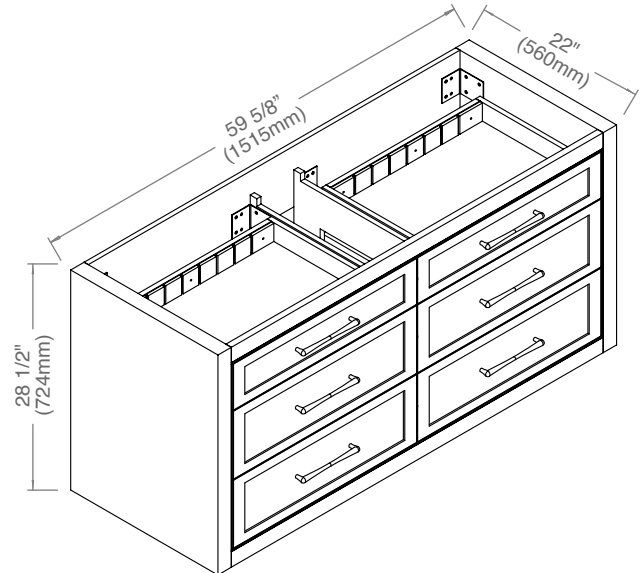
Package Dimensions

64"(1625mm) x 26"(660mm) x 36"(914mm)

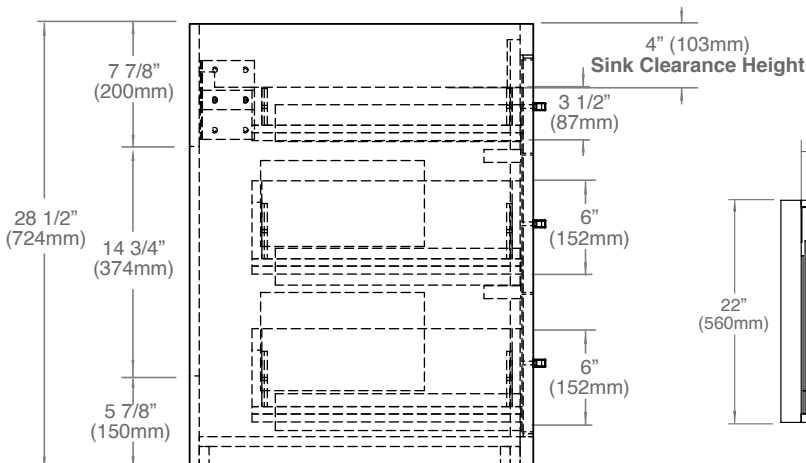
Weight

238 lbs / 108 kgs.

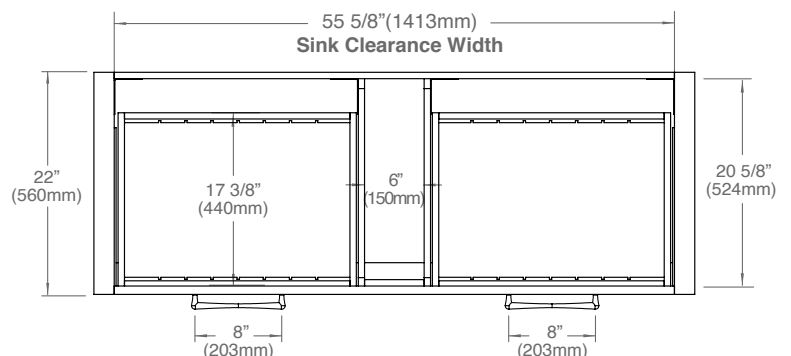
NOTE: All 3/4" countertops with undermount sinks including Madeli's Quartzstone QST2208 collection and CB-2015 cannot be used on the Villa-B850 & Estate-B860 vanities.



SIDE VIEW



TOP VIEW



For clarification, please contact Madeli Customer Care at (800) 819-6988 Ext.1 or service@madeli.com

All dimensions are approximate and subject to standard tolerance. Specifications subject to change without prior notice.

Renaissance/Vision - 60"/72" Double Bowl

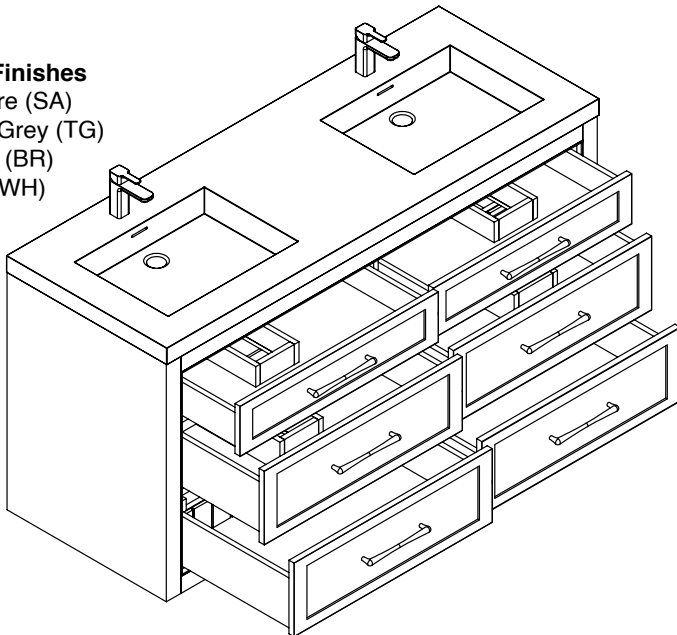
Cabinet Specifications

Features

- Renaissance-Wall hung vanity or Vision-Free Standing Vanity
- Bathroom Furniture grade plywood layered with solid wood veneer protected by polyurethane or finished with premium polyurethane solid color paints
- Matching finish inside out
- Six fully adjustable drawers with full-extension soft-close European hardware.
- Middle and Bottom drawers include adjustable tempered glass dividers
- Handle/Inlay/Feet finish options: polished chrome (PC), brushed nickel (BN), polished nickel (PN), matte black (MB) and satin brass (SB)
- Cabinet furnished assembled.

Colors/Finishes

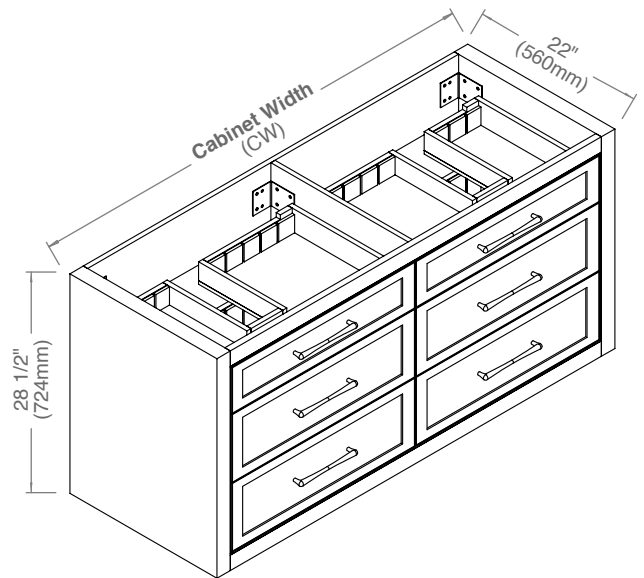
- Sapphire (SA)
- Studio Grey (TG)
- Brandy (BR)
- White (WH)



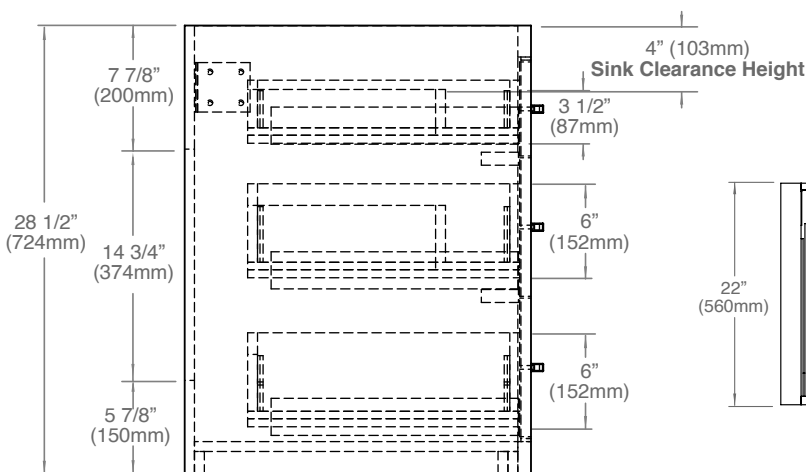
Top/Basin options

- Glass countertop with above-counter ceramic basin.
- Glossy White X-Stone 2"H top/basin
- Glossy White X-Stone 4-1/2" H Trough sink
- X-Stone 3/4"H countertop no holes. To be field drilled.
- X-Stone 3/4"H countertop with above-counter ceramic basin
- Quartzstone 3"H countertop with undermount ceramic basin

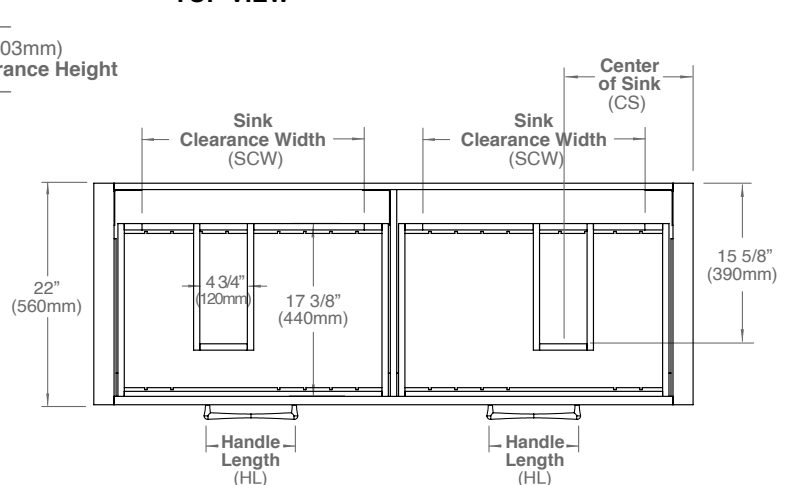
NOTE: All 3/4" countertops with undermount sinks including Madeli's Quartzstone QST2208 collection and CB-2015 cannot be used on the Villa-B850 & Estate-B860 vanities.



SIDE VIEW



TOP VIEW



MODEL	CW	CS	SCW	HL	Package Dimensions	Weight
B855/B865-60D-00X-XX	59 5/8"(1515mm)	13"(328mm)	22 1/16"(561mm)	8" (203mm)	64"(1626) x 26"(660) x 33"(838)	238 lbs / 108 Kgs
B855/B865-72D-00X-XX	71 5/8"(1820mm)	14 1/2"(368mm)	28 1/16"(714mm)	11" (279mm)	76"(1930) x 26"(660) x 33"(838)	280 lbs / 128 Kgs

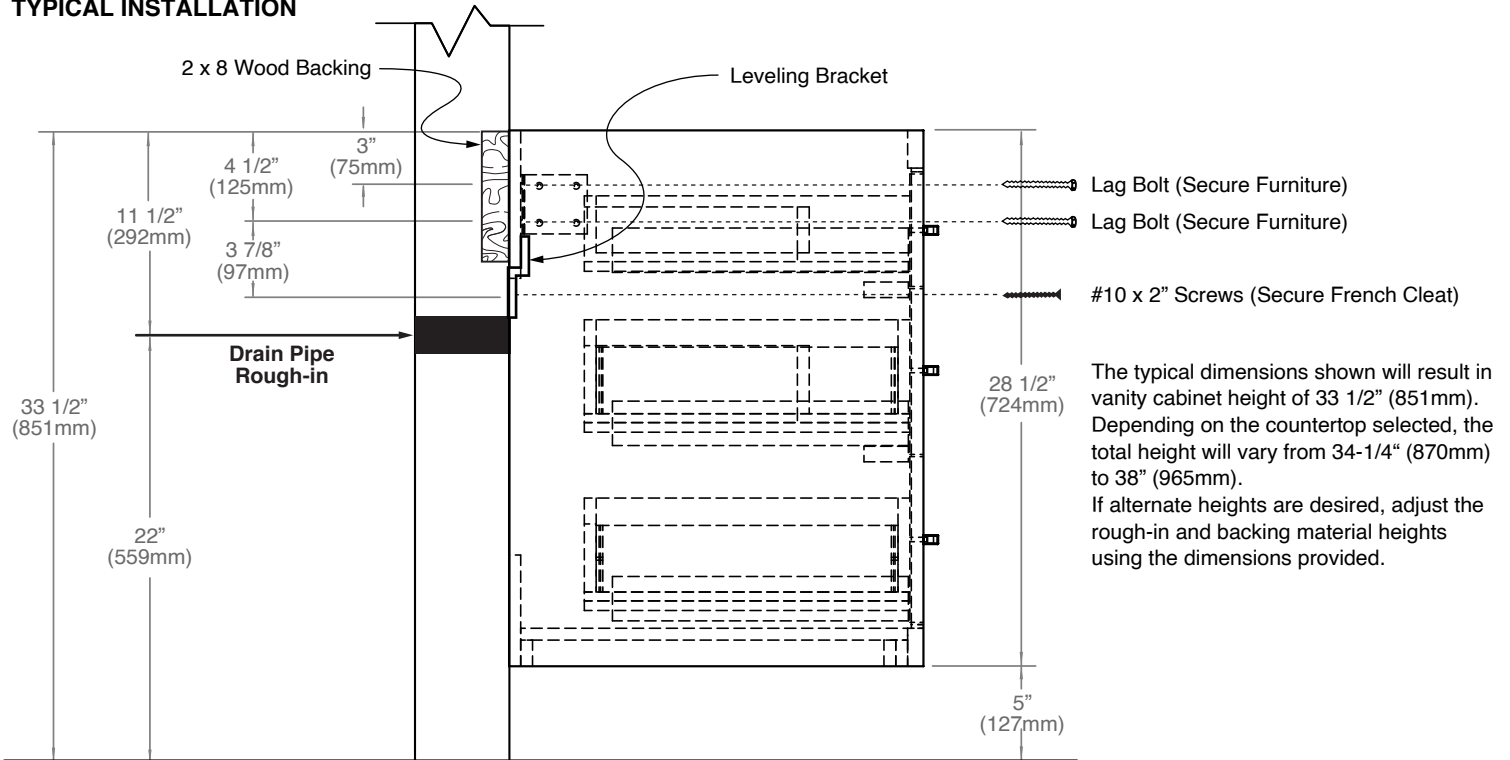
For clarification, please contact Madeli Customer Care at (800) 819-6988 Ext.1 or service@madeli.com

All dimensions are approximate and subject to standard tolerance. Specifications subject to change without prior notice.

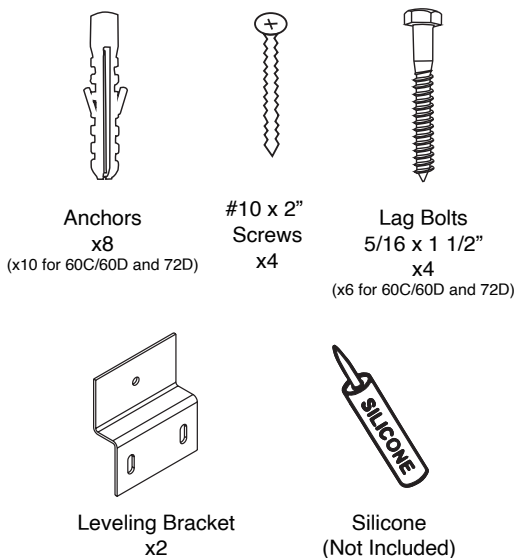
Renaissance - WALL HUNG VANITY

Installation Guide

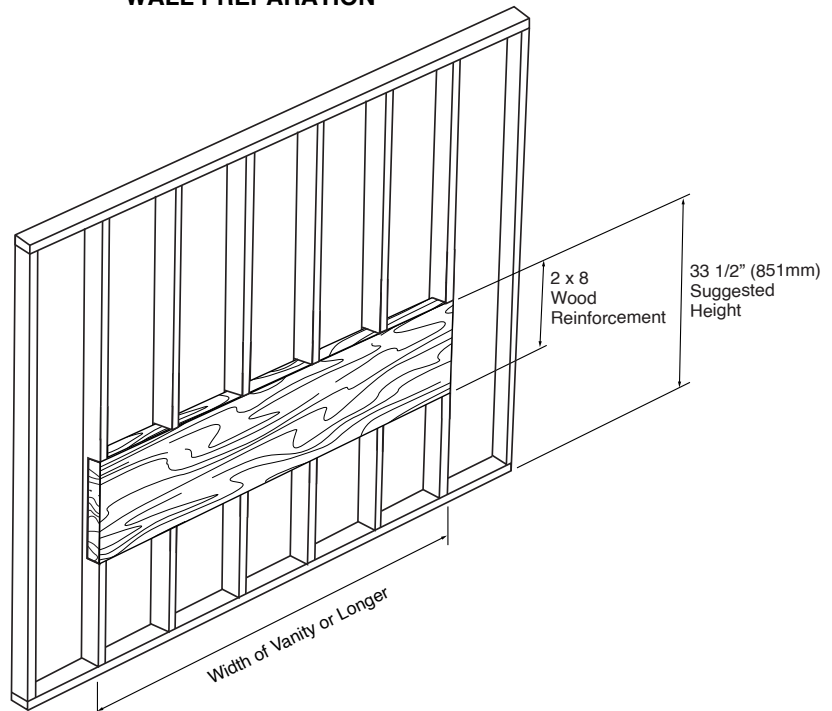
TYPICAL INSTALLATION



ACCESSORIES FOR INSTALLATION



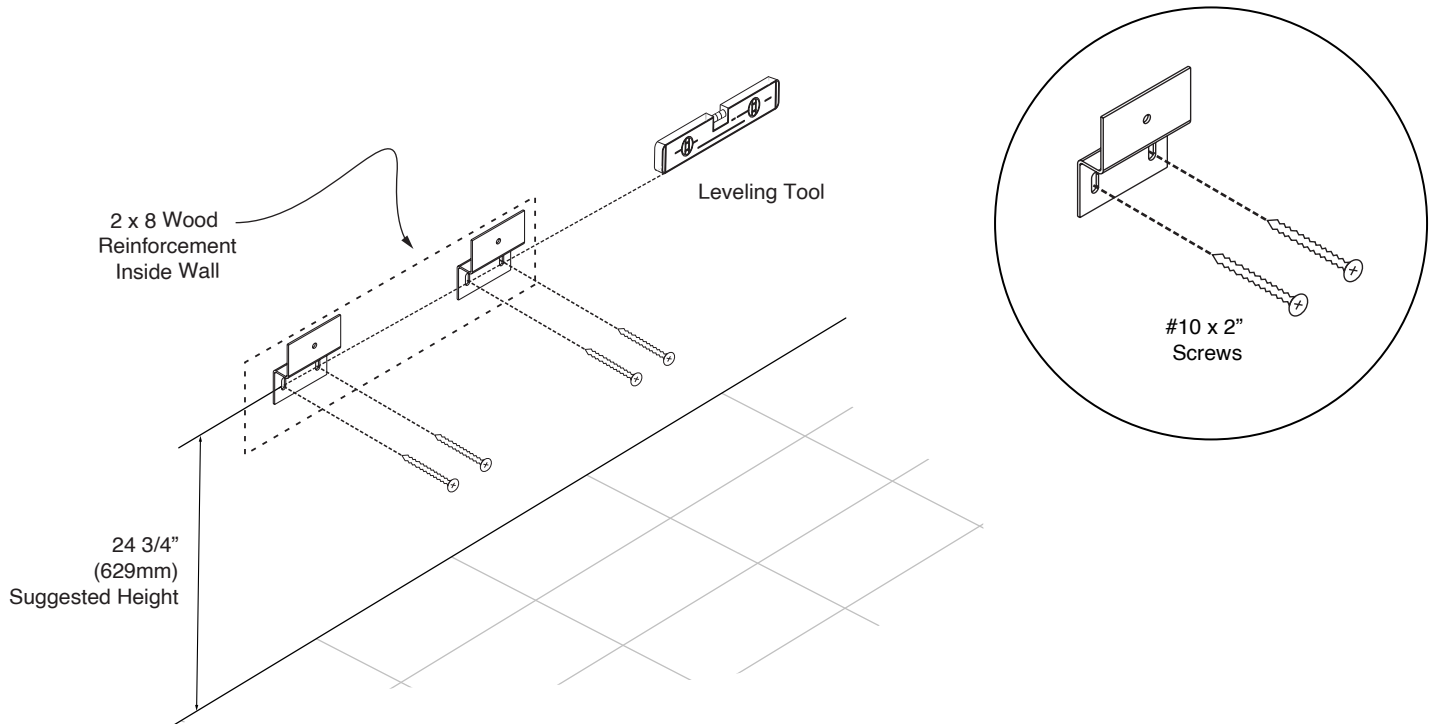
WALL PREPARATION



Renaissance - WALL HUNG VANITY

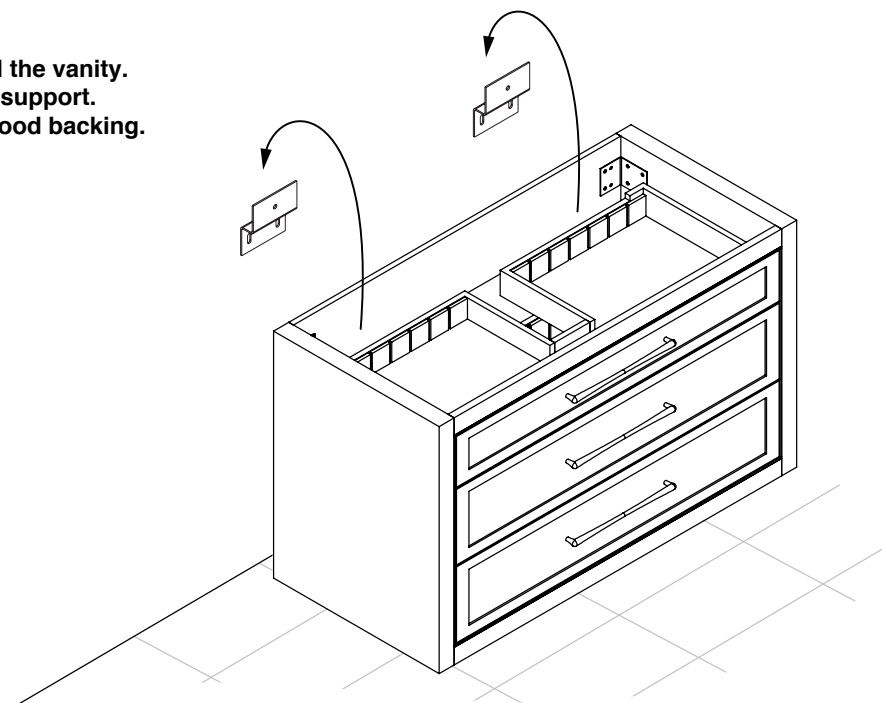
Installation Guide

STEP 1: Install leveling brackets



STEP 2: Place vanity on leveling bracket.

**The leveling brackets are only to level the vanity.
They are not designed for permanent support.
The cabinet needs to be secured to wood backing.**



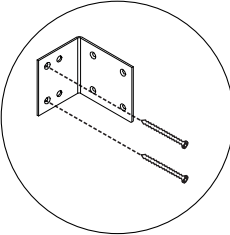
For clarification, please contact Madeli Customer Care at (800) 819-6988 Ext.1 or service@madeli.com
All dimensions are approximate and subject to standard tolerance. Specifications subject to change without prior notice.

Renaissance - WALL HUNG VANITY

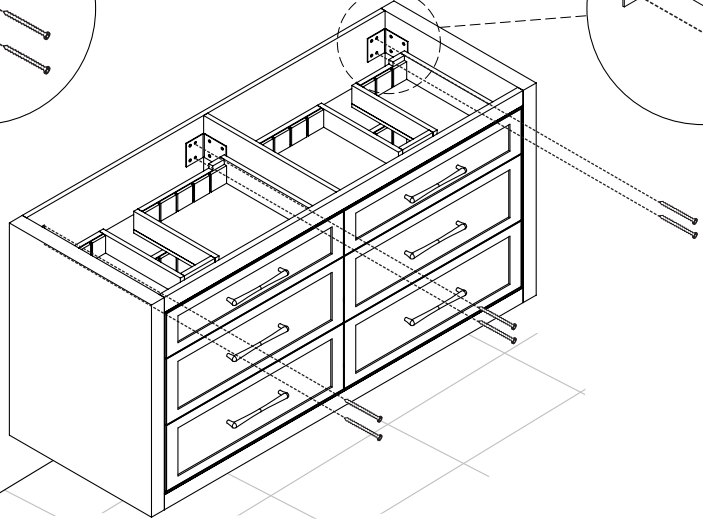
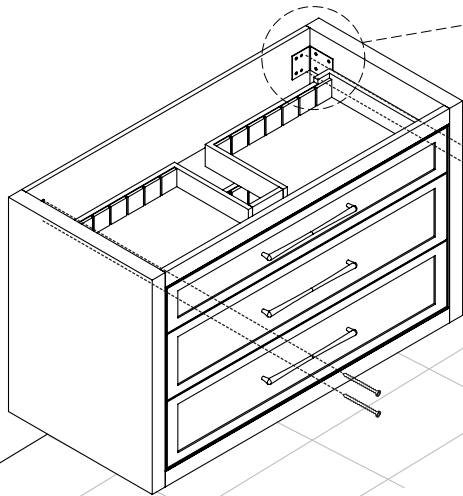
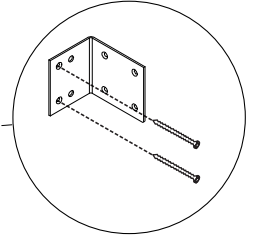
Installation Guide

STEP 3: Secure vanity to wood reinforcement backing.

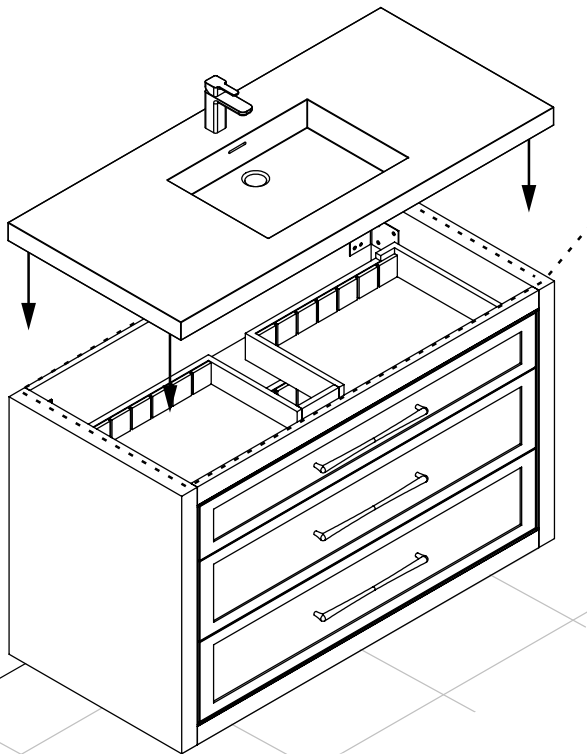
4 Screws for
24, 30, 36, 42, 48C and 48D



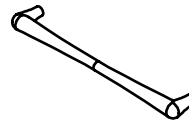
6 Screws for
Sizes 60C, 60D and 72D



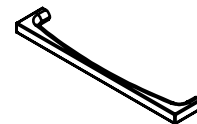
STEP 4: Install countertop with silicone as shown below.



HANDLE OPTIONS



R-HANDLE

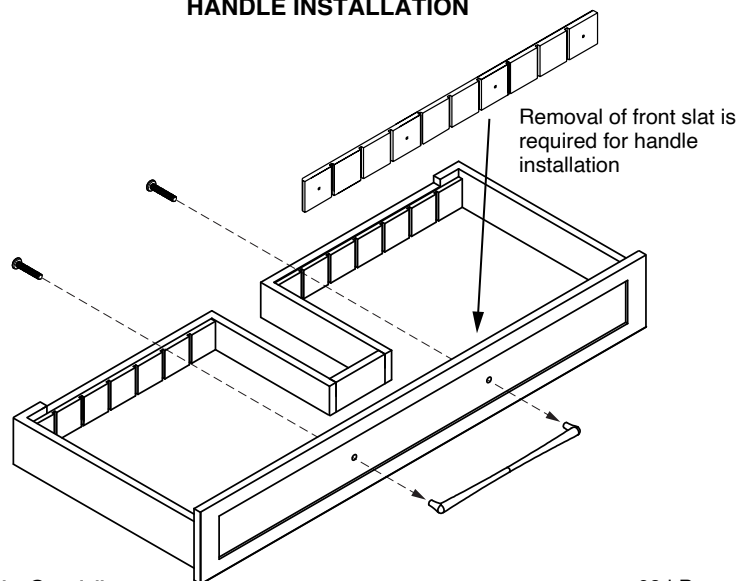


Y-HANDLE



HP-HANDLE

HANDLE INSTALLATION

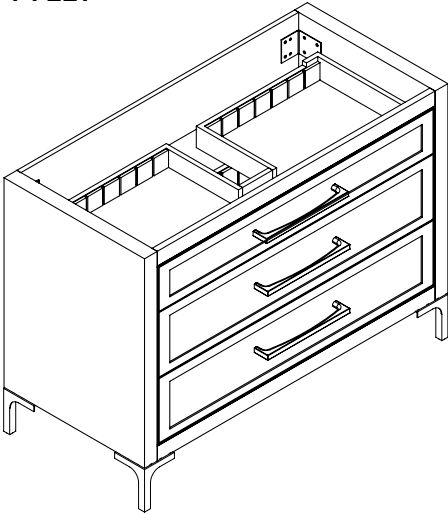


For clarification, please contact Madeli Customer Care at (800) 819-6988 Ext.1 or service@madeli.com
All dimensions are approximate and subject to standard tolerance. Specifications subject to change without prior notice.

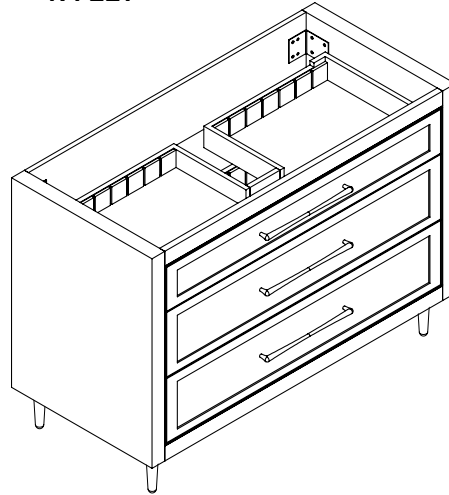
Vision - FREE STANDING VANITY

Feet/Base Installation

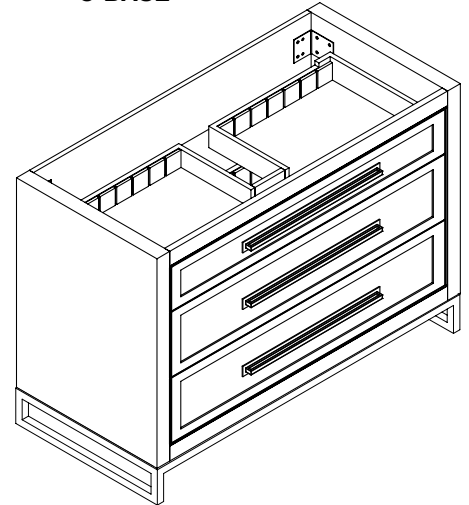
Y-FEET



R-FEET



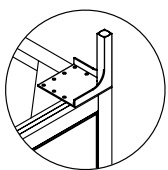
C-BASE



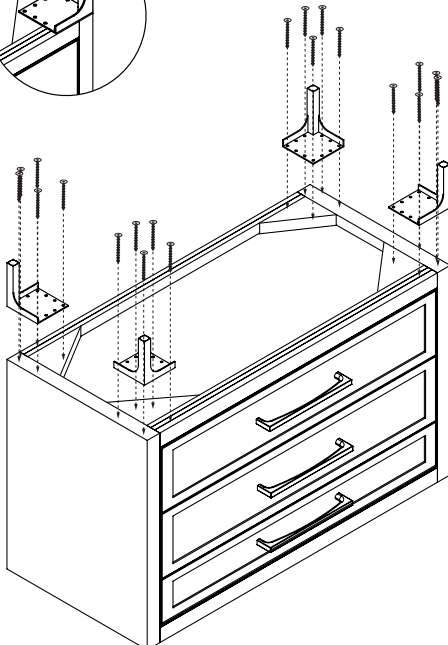
FEET/BASE INSTALLATION

1. Flip cabinet in the upside down position.
2. Mark screw locations using legs/base as template.
3. Pre-drill holes with 5/64", 3/32" or 7/64" drill bit about 1/2" deep.
4. Using provided screws, fix legs/base to cabinet as shown below.
If using a regular battery drill, set clutch to minimum and increase setting as needed.
DO NOT OVER TIGHTEN THE SCREWS. DOING SO WILL SPLIT THE WOOD SIDE PANEL.

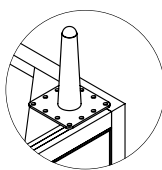
Y-FEET INSTALLATION



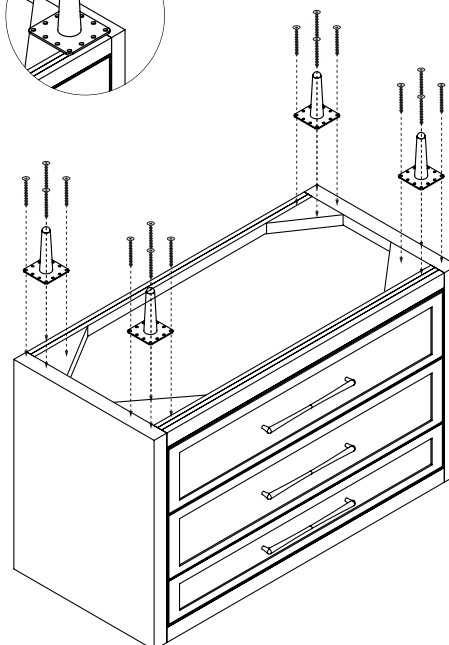
Flush with cabinet edges



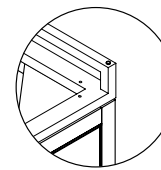
R-FEET INSTALLATION



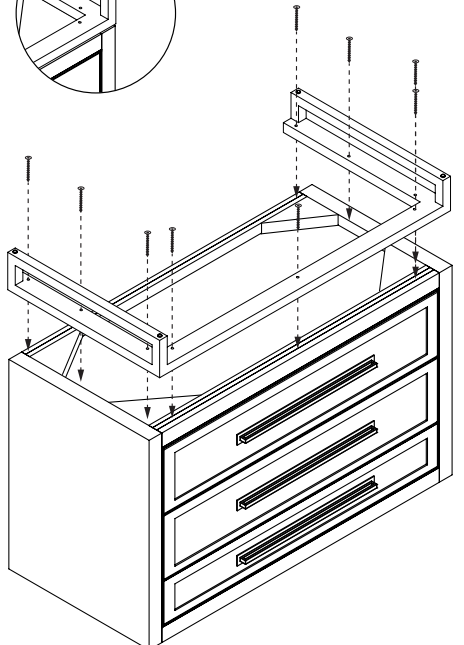
Recessed from cabinet edges



C-BASE INSTALLATION



Flush with cabinet edges

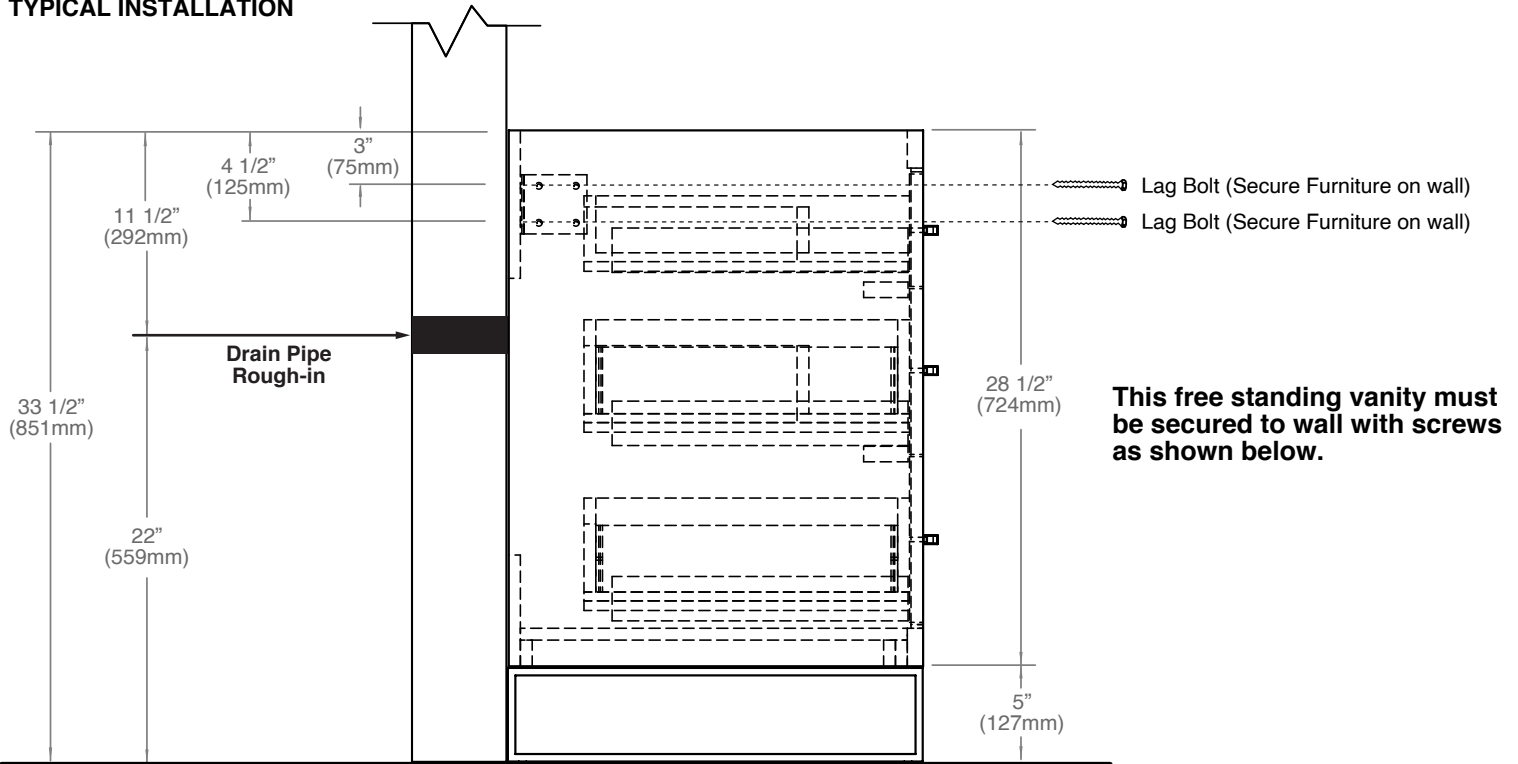


For clarification, please contact Madeli Customer Care at (800) 819-6988 Ext.1 or service@madeli.com
All dimensions are approximate and subject to standard tolerance. Specifications subject to change without prior notice.

Vision - FREE STANDING VANITY

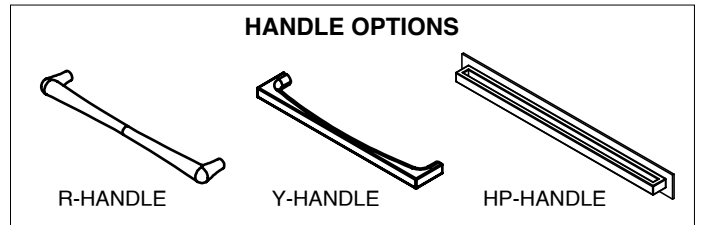
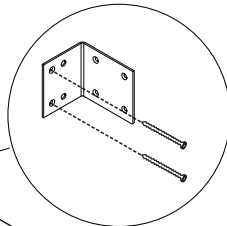
Installation Guide

TYPICAL INSTALLATION

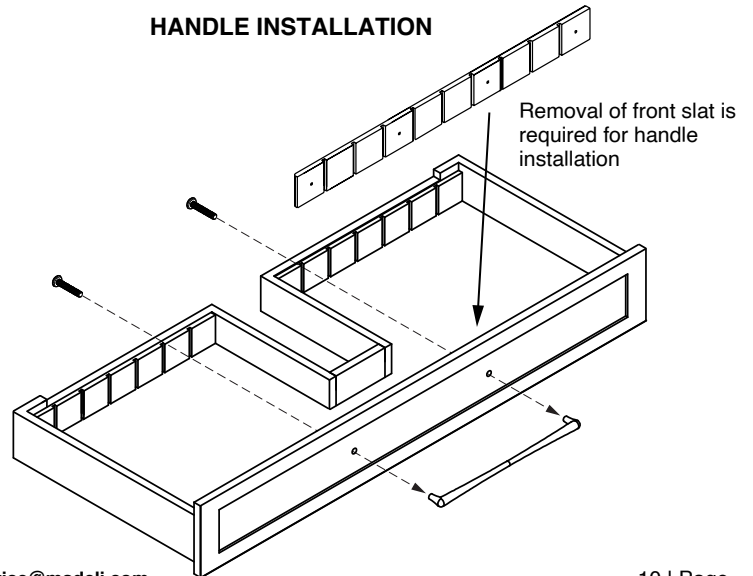


SECURE CABINET TO WALL

See step 4 (page 8) for countertop installation



HANDLE INSTALLATION



For clarification, please contact Madeli Customer Care at (800) 819-6988 Ext.1 or service@madeli.com
All dimensions are approximate and subject to standard tolerance. Specifications subject to change without prior notice.