

## Compact - 20"

## Specification & Installation Guide

### Features

- Wall hung 20" vanity : 20"(508mm)H x 18"(458mm)D x 19-11/16" (500mm)W
- Furniture grade plywood layered with solid wood veneer and protected with several coats of polyurethane.
- Matching finish inside out
- One soft-close door left-hinged with handle in Polished Chrome (PC), Brushed Nickel (BN), Polished Nickel (PN), Matte Black (MB) or Satin Brass (SB).
- Cabinet ships with polished chrome handle installed. Handles in other finishes are provided separately for field installation.

### Finishes

- Ash Grey (AG)
- Brandy (BR)
- Glossy White (GW)
- Sapphire (SA)
- Studio Grey (TG)

### Top/Basin options

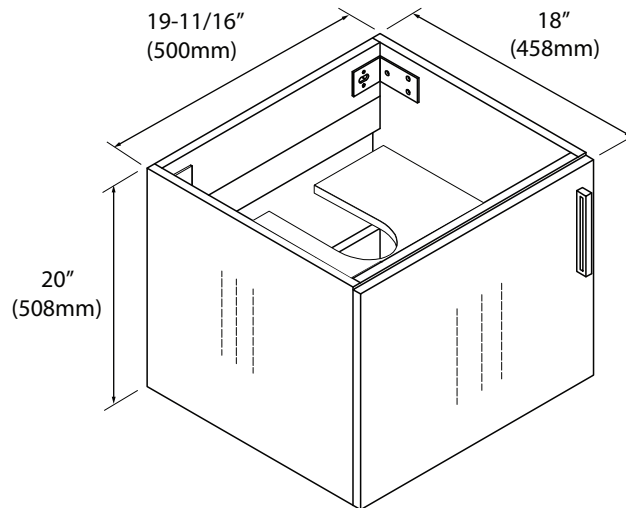
- X-Stone Basin: XTU-1845-20-110-WH

### Package Dimension

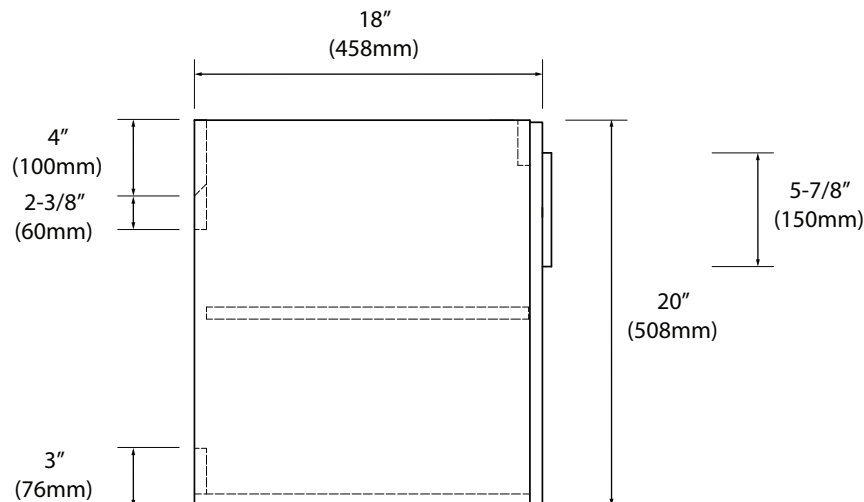
23" x 21" x 23"

### Gross Weight

29 lbs / 13.18 kgs



### SIDE VIEW

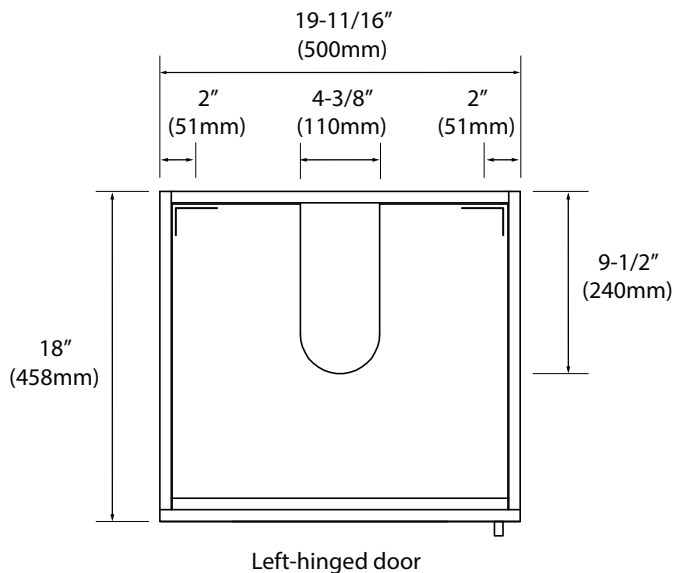


**For clarification, please contact Madeli Customer Care at (800)-819-6988 or (305)-718-8817 Ext. 1 or [service@madeli.com](mailto:service@madeli.com)**  
All dimensions are approximate and subject to standard tolerance. Specifications subject to change without prior notice.

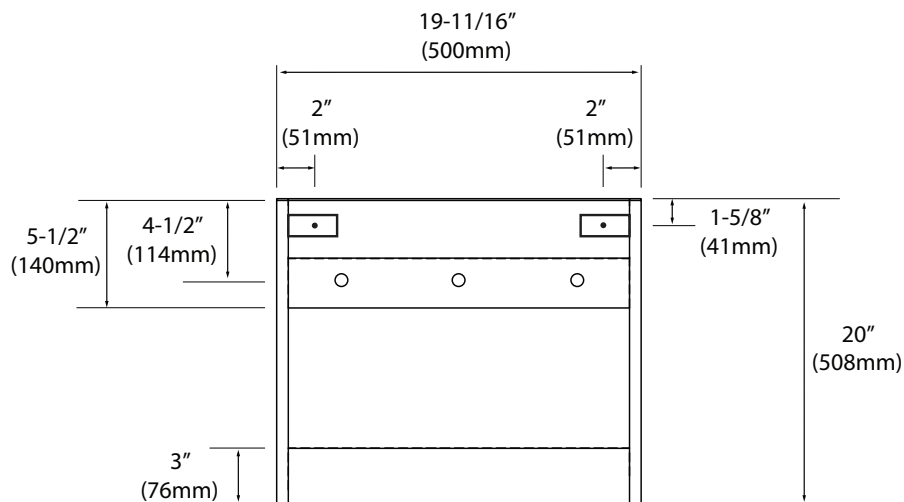
## Compact - 20"

## Specification & Installation Guide

### TOP VIEW



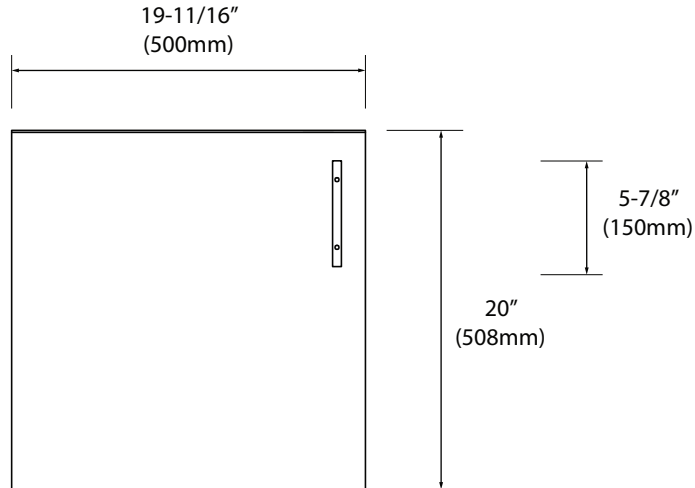
### BACK VIEW



## Compact - 20"

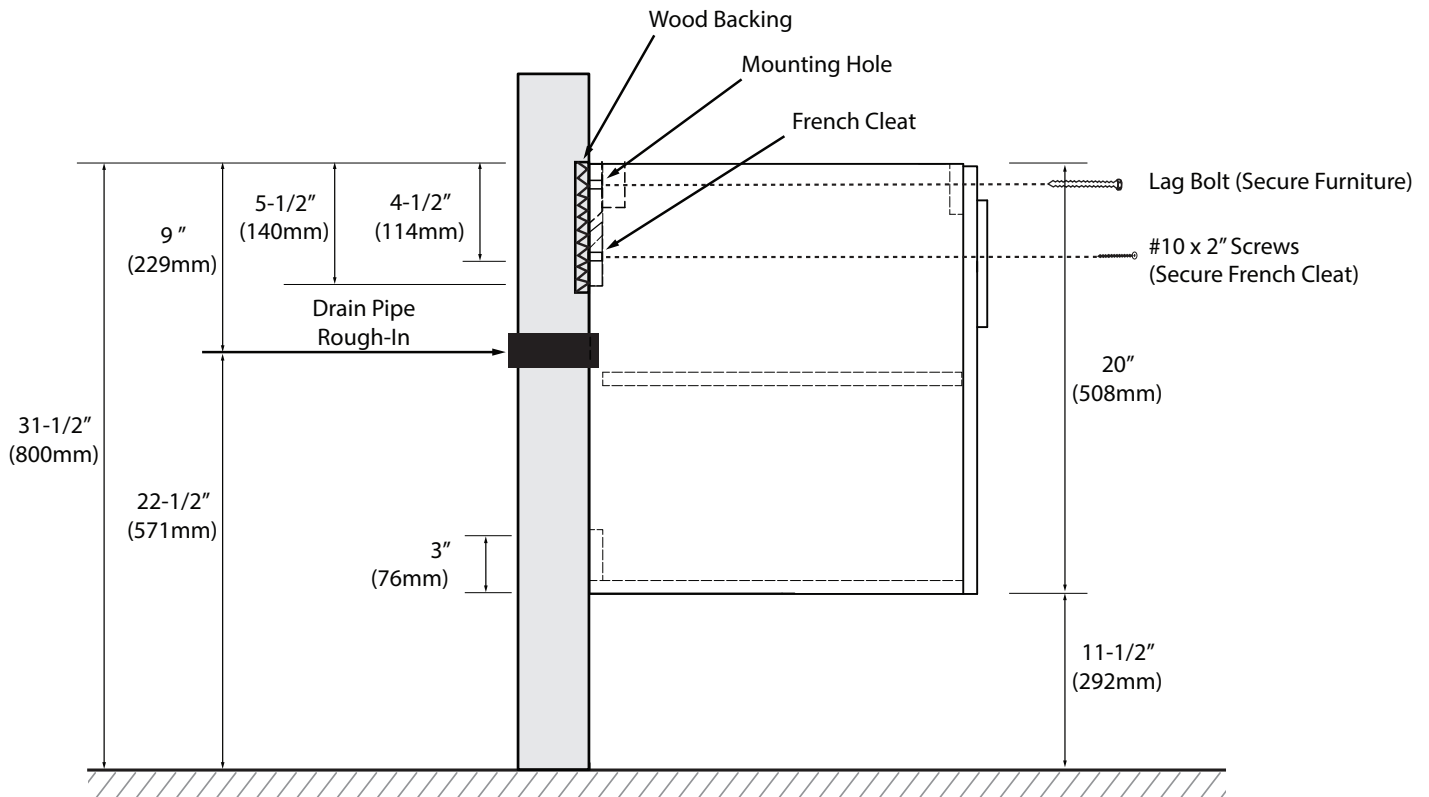
## Specification & Installation Guide

### FRONT VIEW



### TYPICAL INSTALLATION

The typical dimensions shown will result in vanity cabinet height of 31-1/2" (800mm). Total height including CB-1845-20-110-WH will be 36". If alternate heights are desired, adjust the rough-in and backing material heights using the dimensions provided.

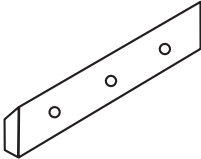






For clarification, please contact Madeli Customer Care at (800)-819-6988 or (305)-718-8817 Ext. 1 or [service@madeli.com](mailto:service@madeli.com)  
All dimensions are approximate and subject to standard tolerance. Specifications subject to change without prior notice.

## Compact - 20"

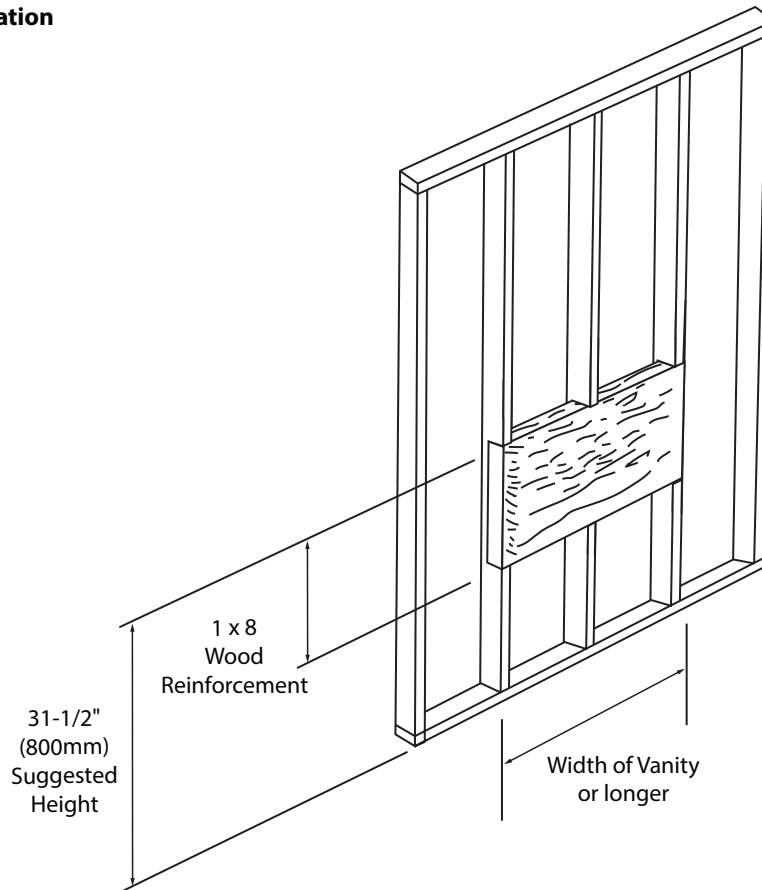
## Specification & Installation Guide

### INSTALLATION INSTRUCTIONS

Item	French Cleat	#10 x 2" Screws	Anchors	Lag Bolt	Silicone (not included)
Qty.	1	3	5	2	1
					

### STEP 1

#### Wall Preparation



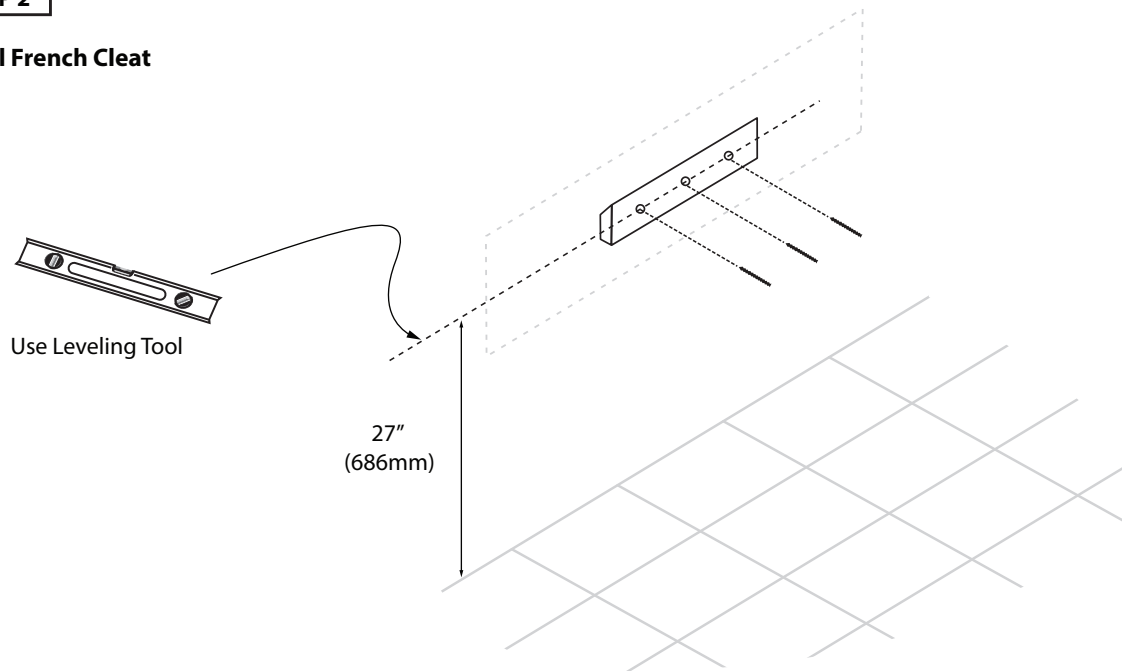
For clarification, please contact Madeli Customer Care at (800)-819-6988 or (305)-718-8817 Ext. 1 or [service@madeli.com](mailto:service@madeli.com)  
All dimensions are approximate and subject to standard tolerance. Specifications subject to change without prior notice.

## Compact - 20"

## Specification & Installation Guide

### STEP 2

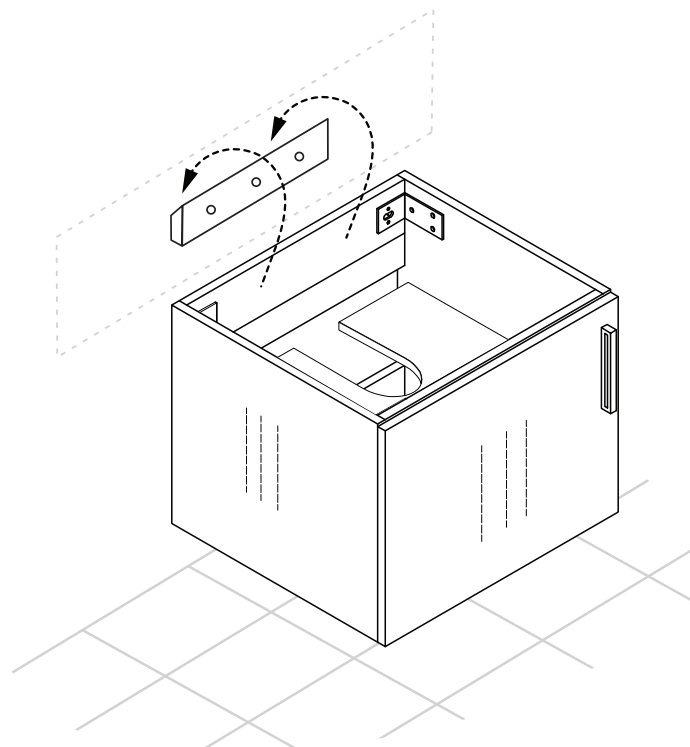
#### Install French Cleat



### STEP 3

#### Place vanity on French Cleat

French Cleat is only to level the vanity. It is not designed for permanent support. Cabinet needs to be secured to wood backing material.



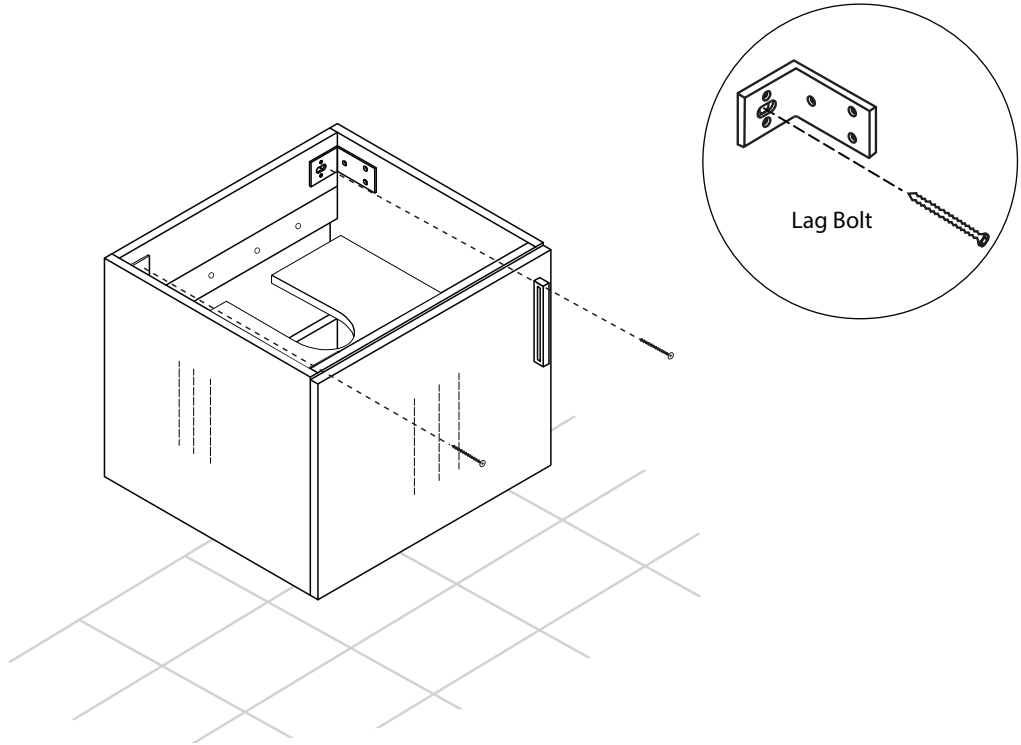
For clarification, please contact Madeli Customer Care at (800)-819-6988 or (305)-718-8817 Ext. 1 or [service@madeli.com](mailto:service@madeli.com)  
All dimensions are approximate and subject to standard tolerance. Specifications subject to change without prior notice.

## Compact - 20"

## Specification & Installation Guide

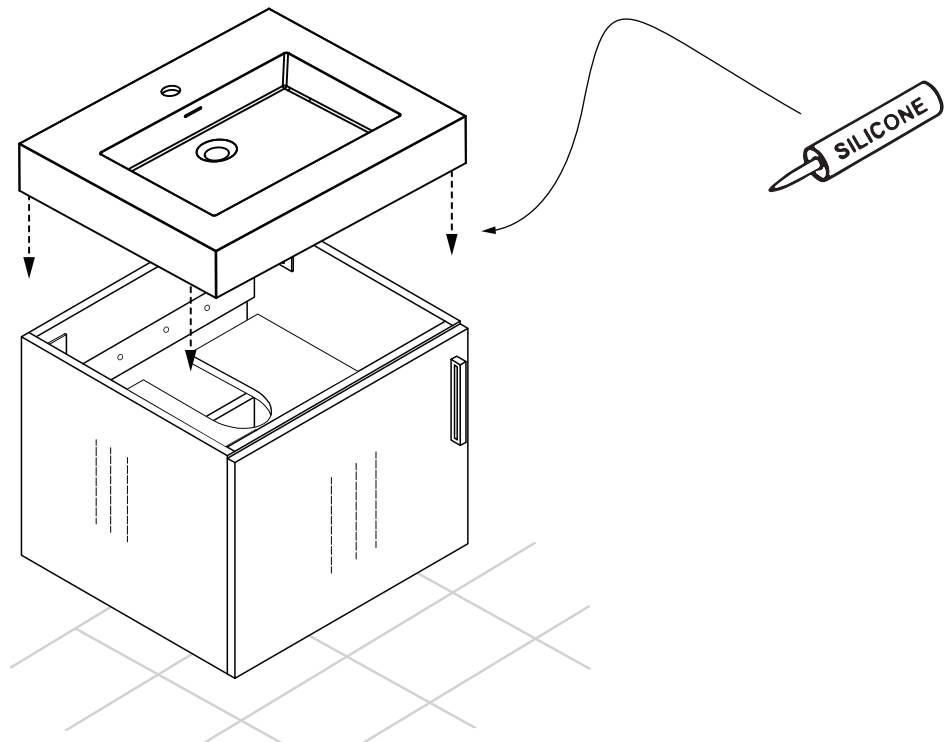
### STEP 4

Secure vanity to wood reinforcement backing



### STEP 5

Install countertop with Silicone



For clarification, please contact Madeli Customer Care at (800)-819-6988 or (305)-718-8817 Ext. 1 or [service@madeli.com](mailto:service@madeli.com)  
All dimensions are approximate and subject to standard tolerance. Specifications subject to change without prior notice.