

Venasca - 30"

Specification & Installation Guide

Features

- Wall hung 30" vanity: 15-3/4"(400mm)H x 18"(458mm)D x 29-5/8" (753mm)W
- Furniture grade plywood layered with solid wood veneer and protected with several coats of polyurethane.
- Matching finish inside out
- One fully adjustable drawer with full extension soft-close European hardware
- Handle: Polished Chrome or Brushed Nickel finish

Colors/Finishes

- Ash Grey (AG)
- Glossy White (GW)
- Walnut (WA)

Top/Basin options

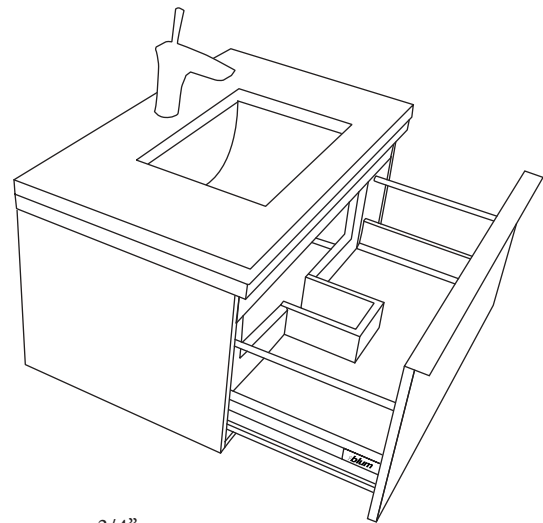
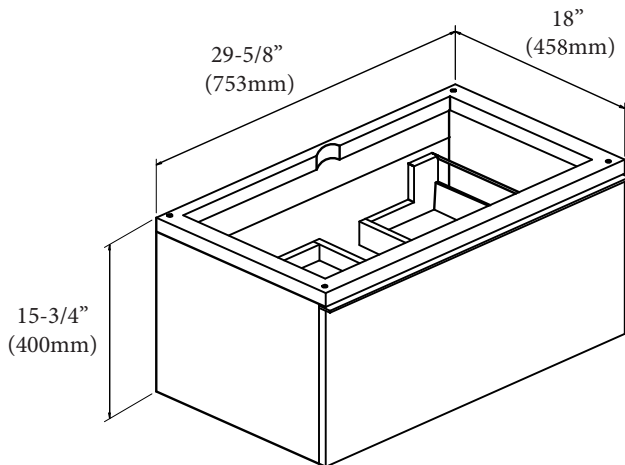
- White, Soft Grey or White Carrara Quartzstone™ top & white under mount ceramic basin
- Glossy White X-Stone top/basin
- Ceramic basin
- Tempered glass top/basin
- Glossy or Matte White X-Stone flat top

Package Dimension

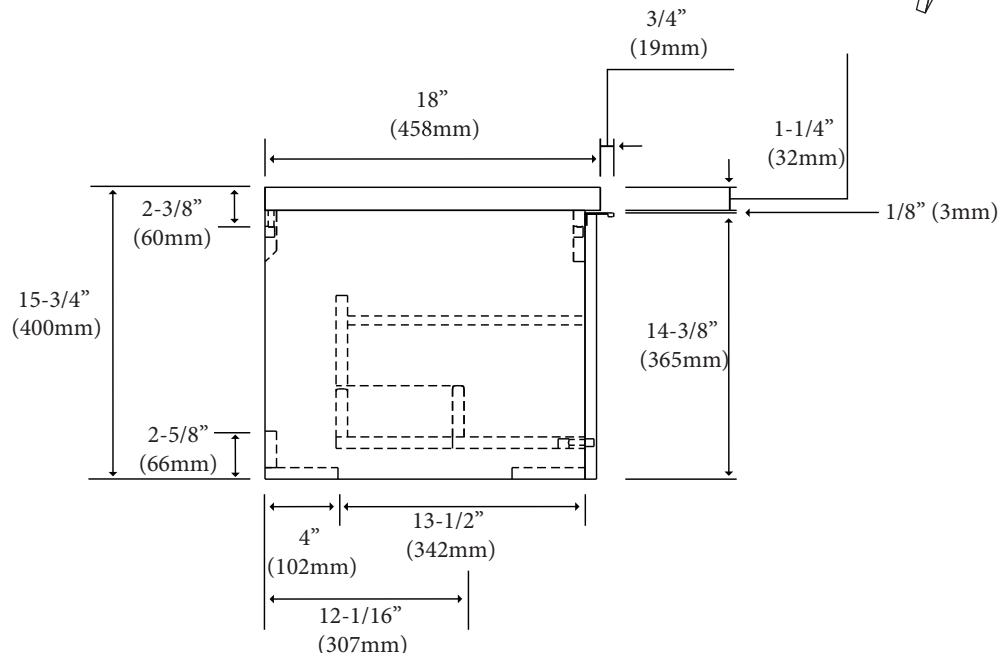
32" x 23" x 19"

Gross Weight

50 lbs / 22.73kgs



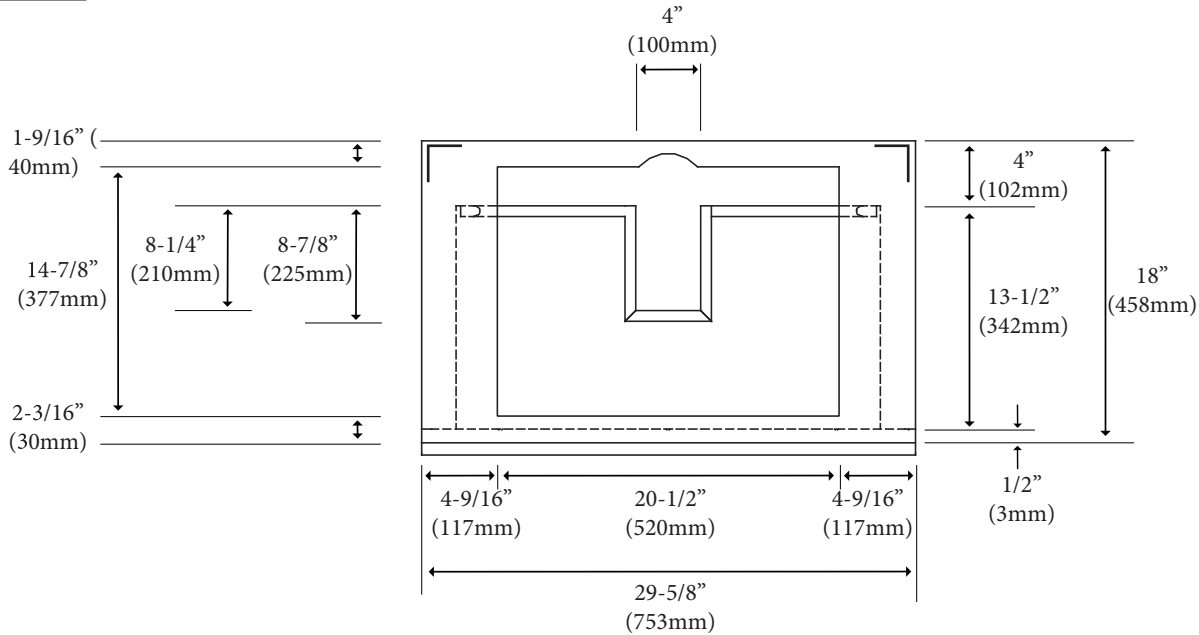
SIDE VIEW



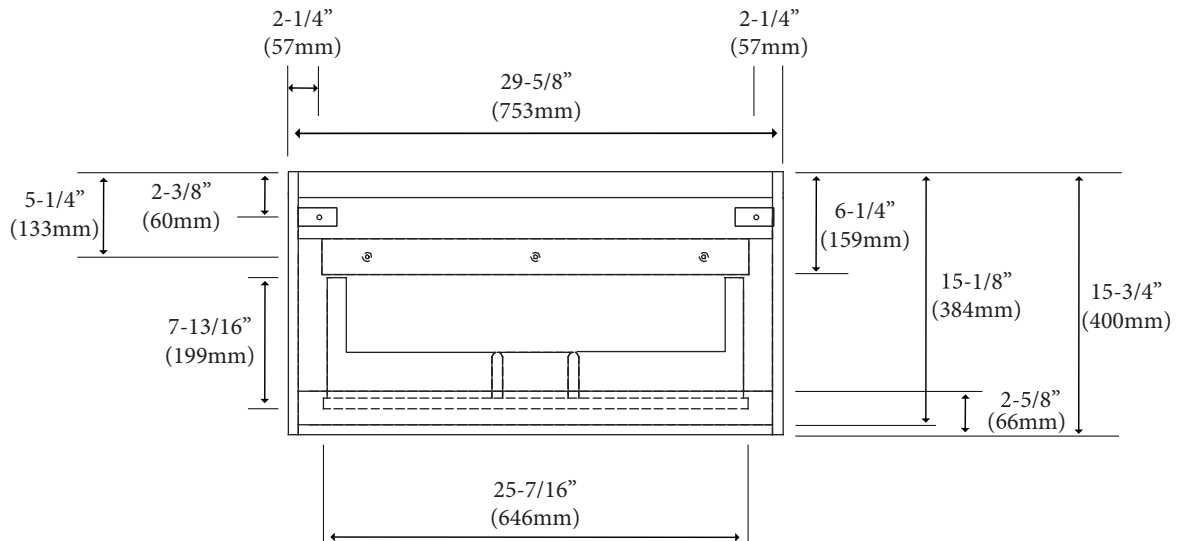
Venasca - 30"

Specification & Installation Guide

TOP VIEW



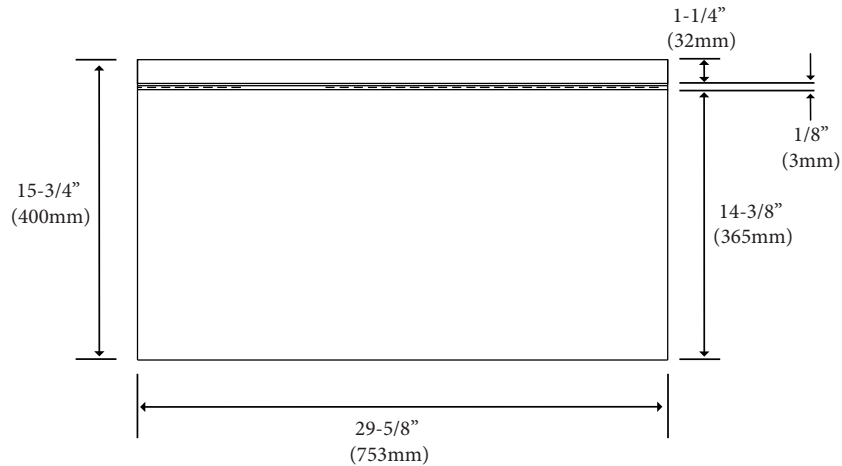
BACK VIEW



Venasca - 30"

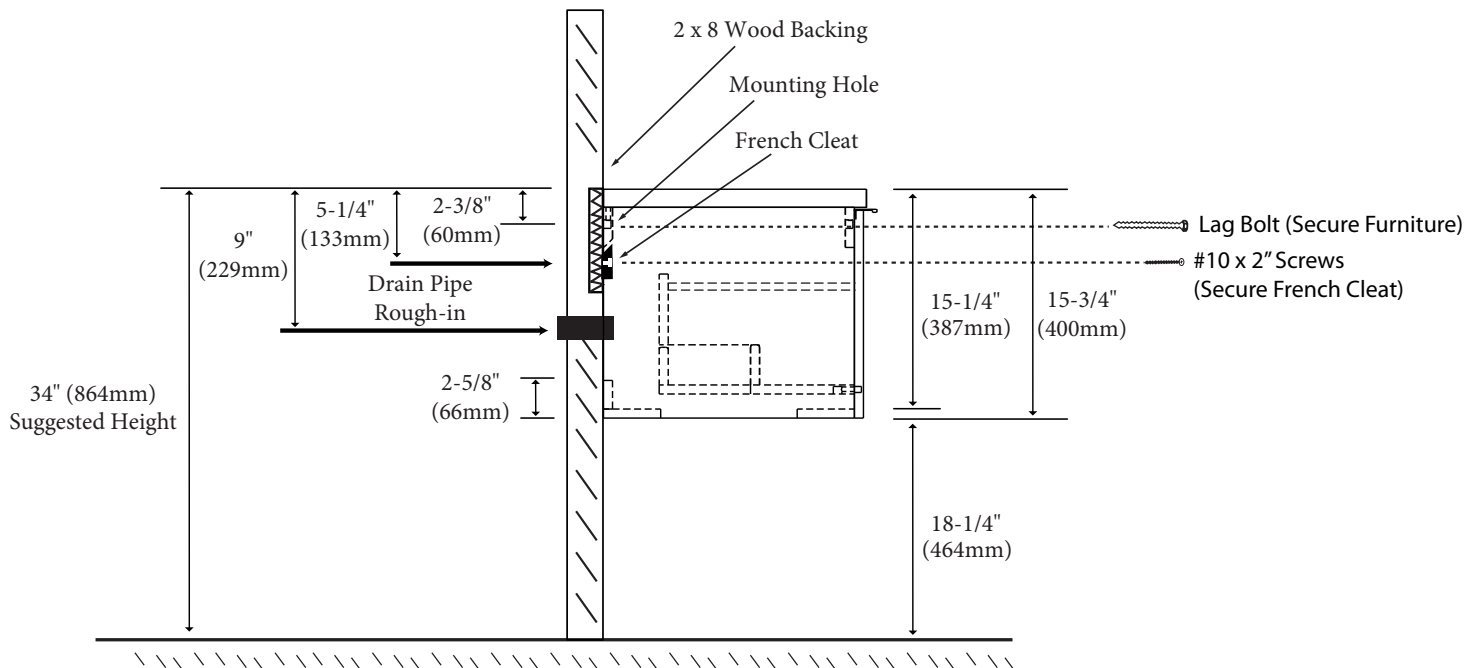
Specification & Installation Guide

FRONT VIEW



TYPICAL INSTALLATION

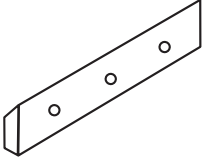




The typical dimensions shown will result in vanity cabinet height of 34" (864mm). Depending on the countertop selected, the total height will vary from 35-1/4" (895mm) to 36-1/2" (927mm). For above-counter vessels with typical heights between 4" and 6", it is suggested to lower the cabinet to 31" (785mm). If alternate heights are desired, adjust the rough-in and backing material heights using the dimensions provided.



Venasca - 30"

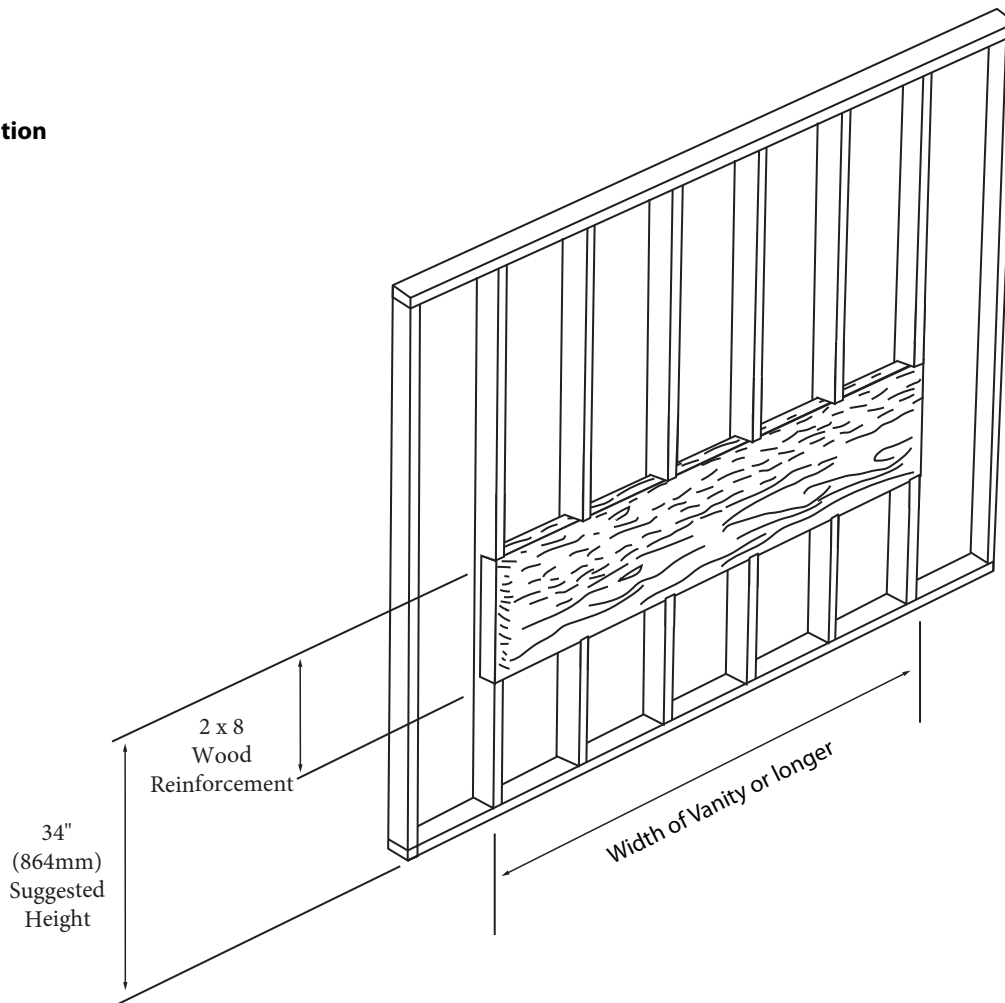
Specification & Installation Guide

INSTALLATION INSTRUCTIONS

Item	French Cleat	#10 x 2" Screws	Anchors	Screw	Silicone (not included)
Qty.	1	3	3	3	1
					

STEP 1

Wall Preparation



For clarification, please contact Madeli Customer Care at (800)-819-6988 or (305)-718-8817 Ext. 1

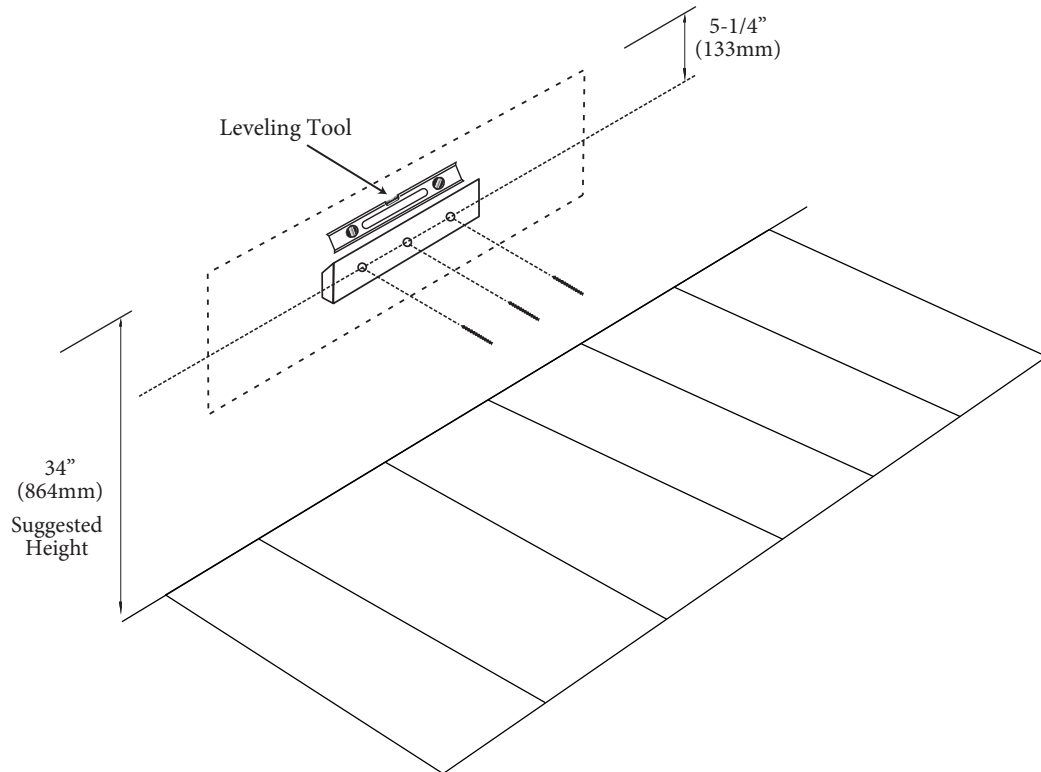
All dimensions are approximate and subject to standard tolerance. Specifications subject to change without prior notice.

Venasca - 30"

Specification & Installation Guide

STEP 2

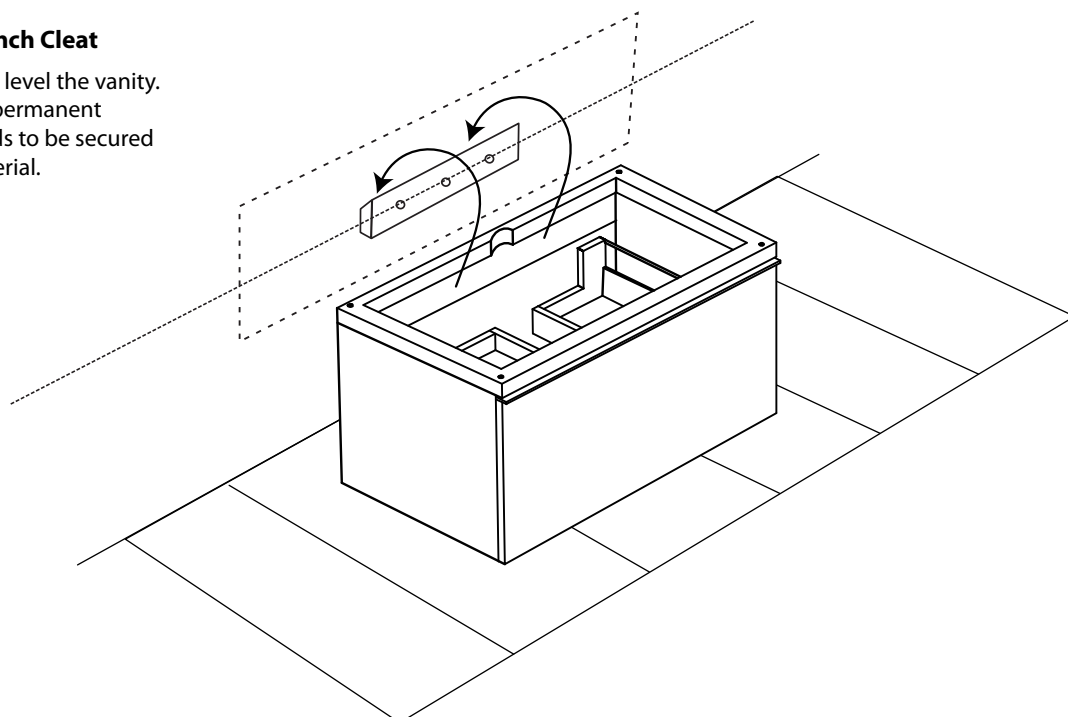
Install French Cleat



STEP 3

Place vanity on French Cleat

French Cleat is only to level the vanity. It is not designed for permanent support. Cabinet needs to be secured to wood backing material.

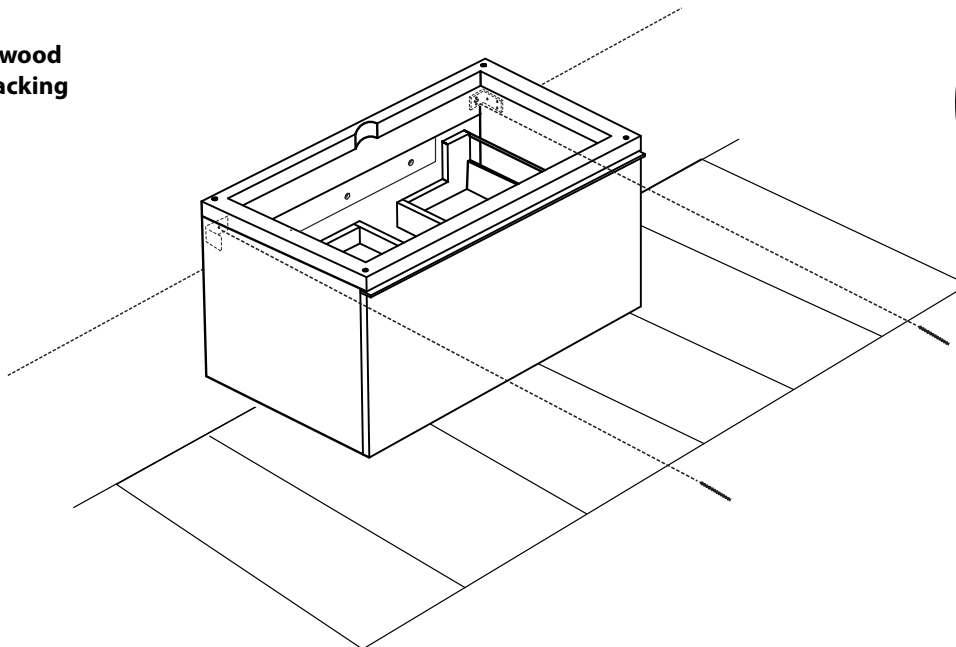


Venasca - 30"

Specification & Installation Guide

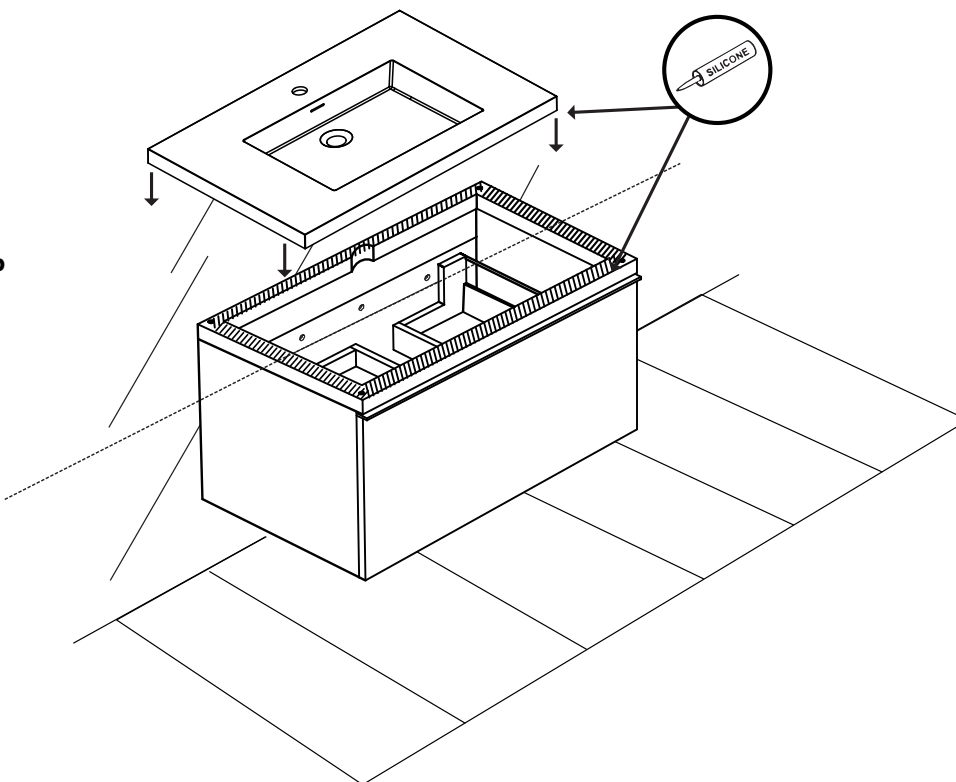
STEP 4

Secure vanity to wood reinforcement backing



STEP 5

Install countertop with Silicone



For clarification, please contact Madeli Customer Care at (800)-819-6988 or (305)-718-8817 Ext. 1
All dimensions are approximate and subject to standard tolerance. Specifications subject to change without prior notice.