

Ceramic Above Counter Bathroom Lavatory

Specification & Installation Guide

FEATURES

- Design: Rectangular / Contemporary
- Material: Vitreous China in white
- Type: Above Counter
- Overflow: Yes
- Overall Size: 24-1/8" (612mm)L x 18-5/16" (465mm)W x 3-1/16" (78mm)H
- Basin inside size: 22-15/16" (582mm)L x 13-1/4" (337mm) W x 2-3/4" (70mm)H
- Drain ϕ : 1-3/4" (45 mm)
- Faucet hole ϕ : 1-3/8" (35mm) - Available in single-hole or 8" (203mm) centers
 - Single: CB-7124-110-WH
 - 8" center: CB-7124-130-WH
- Basin Clamp Assembly: Not applicable.
- Packaging Dimensions: 26" (660mm) x 21" (535mm) x 10" (254mm)
- Weight: 46 lbs. / 21 kgs.

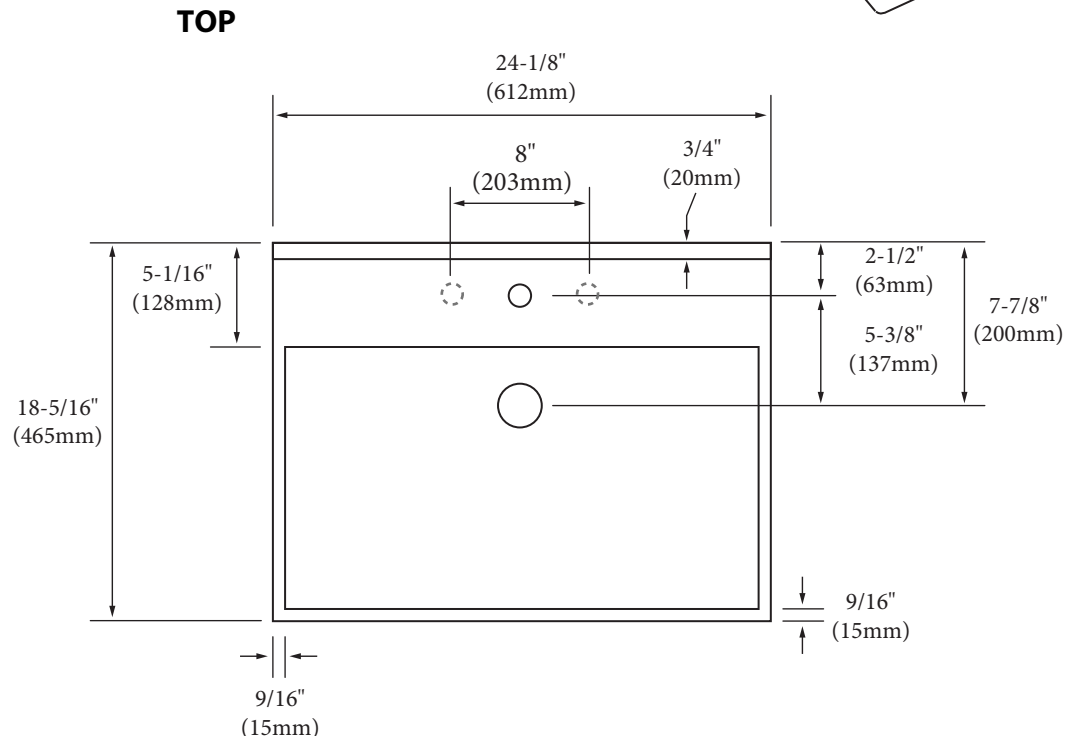
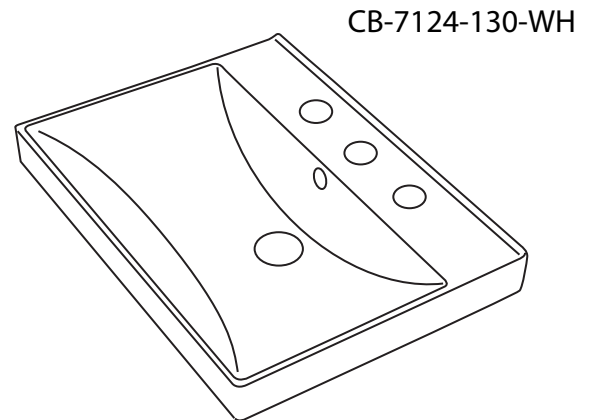
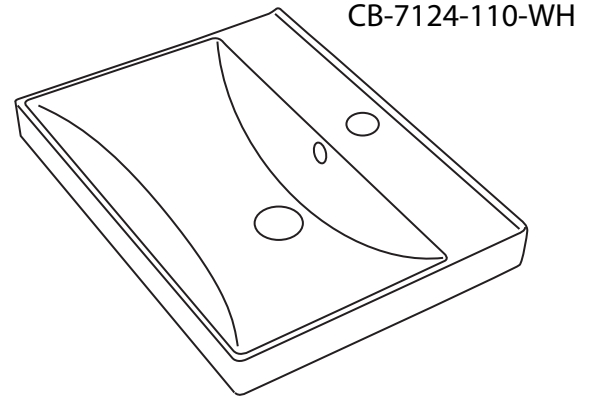
FINISHES

White (WH)

COMPLIANCE

CSA B45.5-11/IAPMO Z124-11

ADA Compliance when installed per ADA requirement.



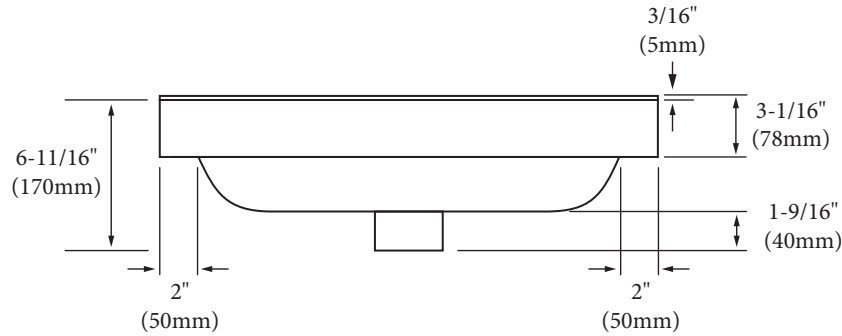
For clarification, please contact Madeli Customer Care at (800)-819-6988 or (305)-718-8817 Ext. 1

All dimensions are approximate and subject to standard tolerance. Specifications subject to change without prior notice.

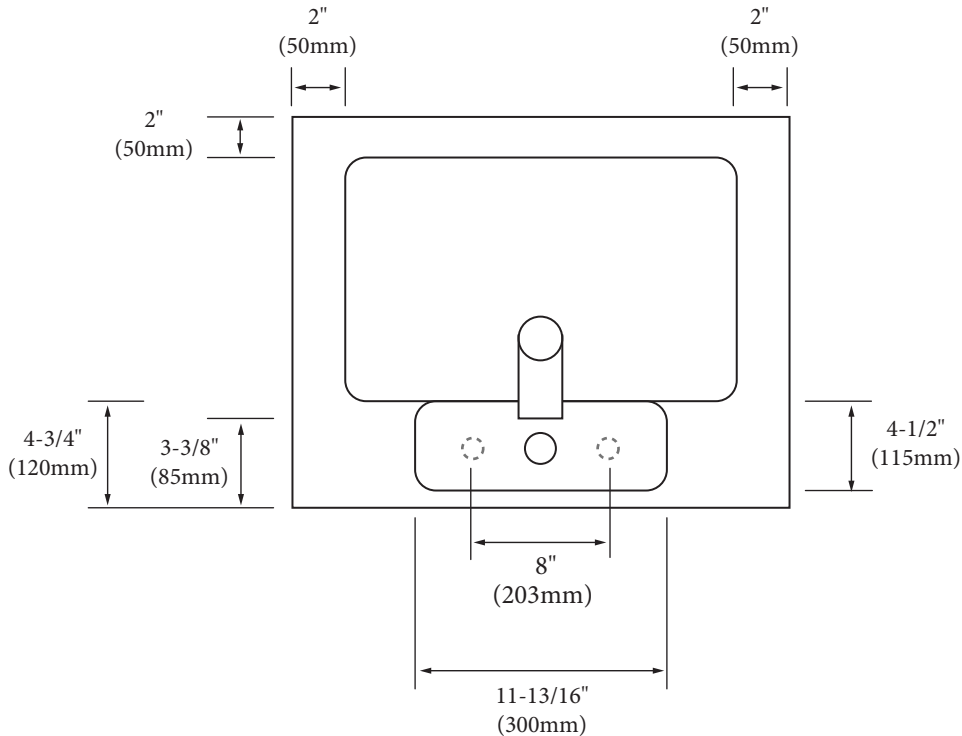
Ceramic Above Counter Bathroom Lavatory

Specification & Installation Guide

FRONT



UNDERSIDE



For clarification, please contact Madeli Customer Care at (800)-819-6988 or (305)-718-8817 Ext. 1

All dimensions are approximate and subject to standard tolerance. Specifications subject to change without prior notice.