

X-Stone Above-Counter Bathroom Vessel

Specification & Installation Guide

FEATURES

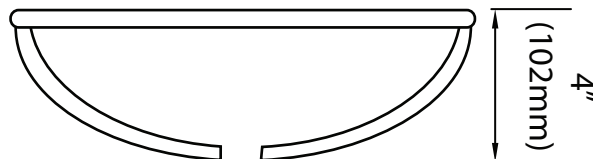
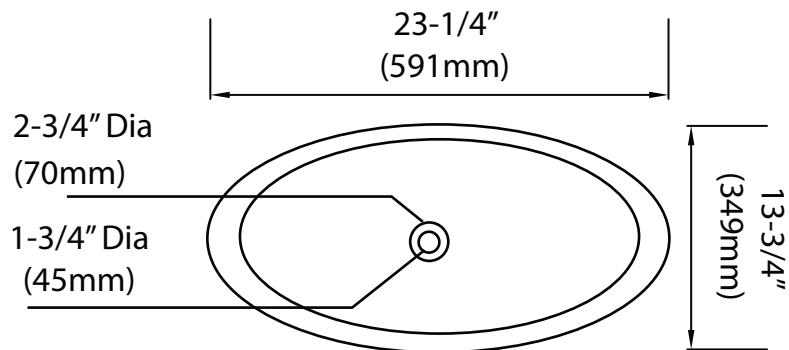
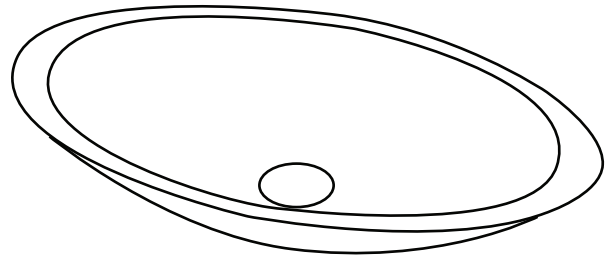
- Design: Oval / Contemporary
- Material: X-Stone solid surface
- Type: Above counter
- Overflow: No
- Size: 23-1/4"(591mm)L x 13-3/4"(349mm)W x 4"(102mm)H
- Basin inside depth: 3-1/4" (83mm)
- Drain hole: Diameter 1-3/4" (45 mm)
- Drain hole: No, Deck or Wall mounted faucet
- Packaging Dimensions: 27"(686 mm) x 17"(432mm) x 7" (178mm)
- Weight: 15 lbs. / 7 kgs.

FINISHES

Glossy White

COMPLIANCE

CSA B45.5-11/IAPMO Z124-11
ADA Compatible



For clarification, please contact Madeli Customer Care at (800)-819-6988 or (305)-718-8817 Ext. 1

All dimensions are approximate and subject to standard tolerance. Specifications subject to change without prior notice.