

Euro - 36"

Specification & Installation Guide

Features

- Wall hung 36" vanity : 16-15/16"(430mm)H x 17-3/4"(450mm)D x 34-5/8"(880mm)W
- Furniture grade plywood layered with solid wood veneer and protected with several coats of polyurethane.
- Matching finish inside out
- One fully adjustable drawer with full extension soft-close European hardware
- Four adjustable tempered glass dividers
- Interior magazine racks
- Glass side retainers

Colors/Finishes

- Ash Grey (AG)
- Glossy White (GW)
- Walnut (WA)

Top/Basin options

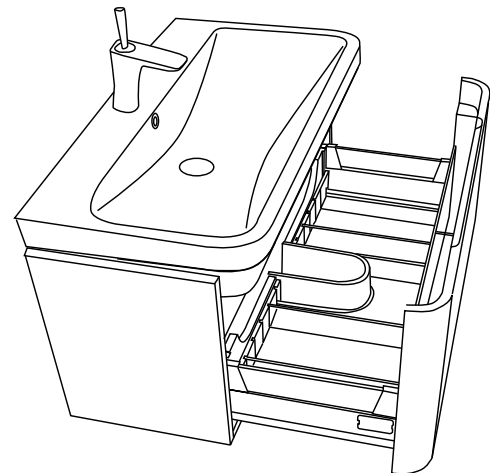
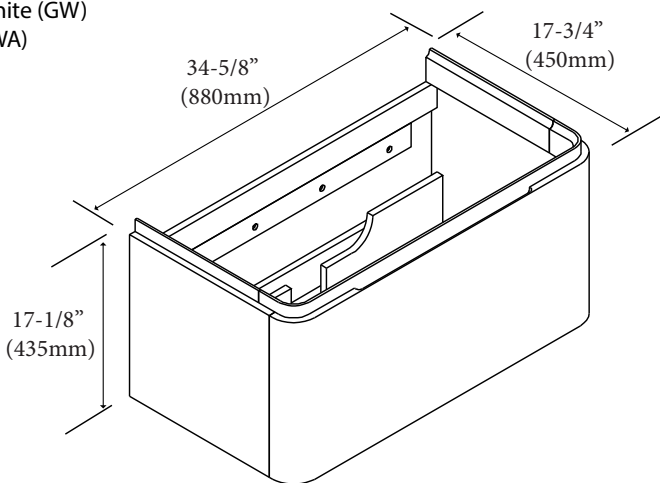
- Glossy White X-Stone top/basin
- Ceramic basin

Package Dimension

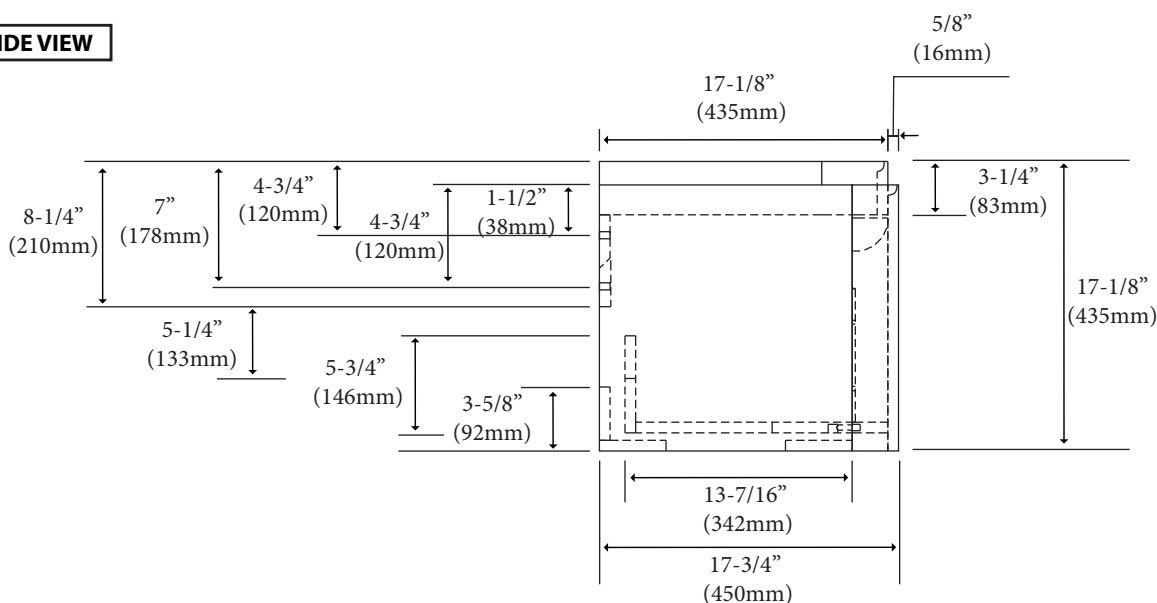
37" x 21" x 20"

Gross Weight

63 lbs / 28.64 kgs



SIDE VIEW



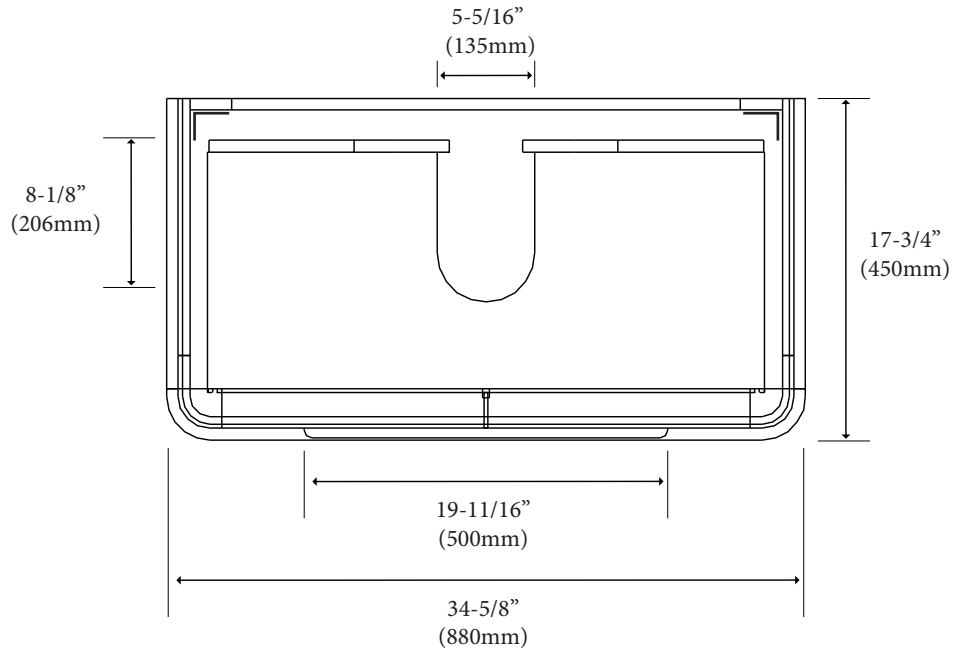
For clarification, please contact Madeli Customer Care at (800)-819-6988 or (305)-718-8817 Ext. 1

All dimensions are approximate and subject to standard tolerance. Specifications subject to change without prior notice.

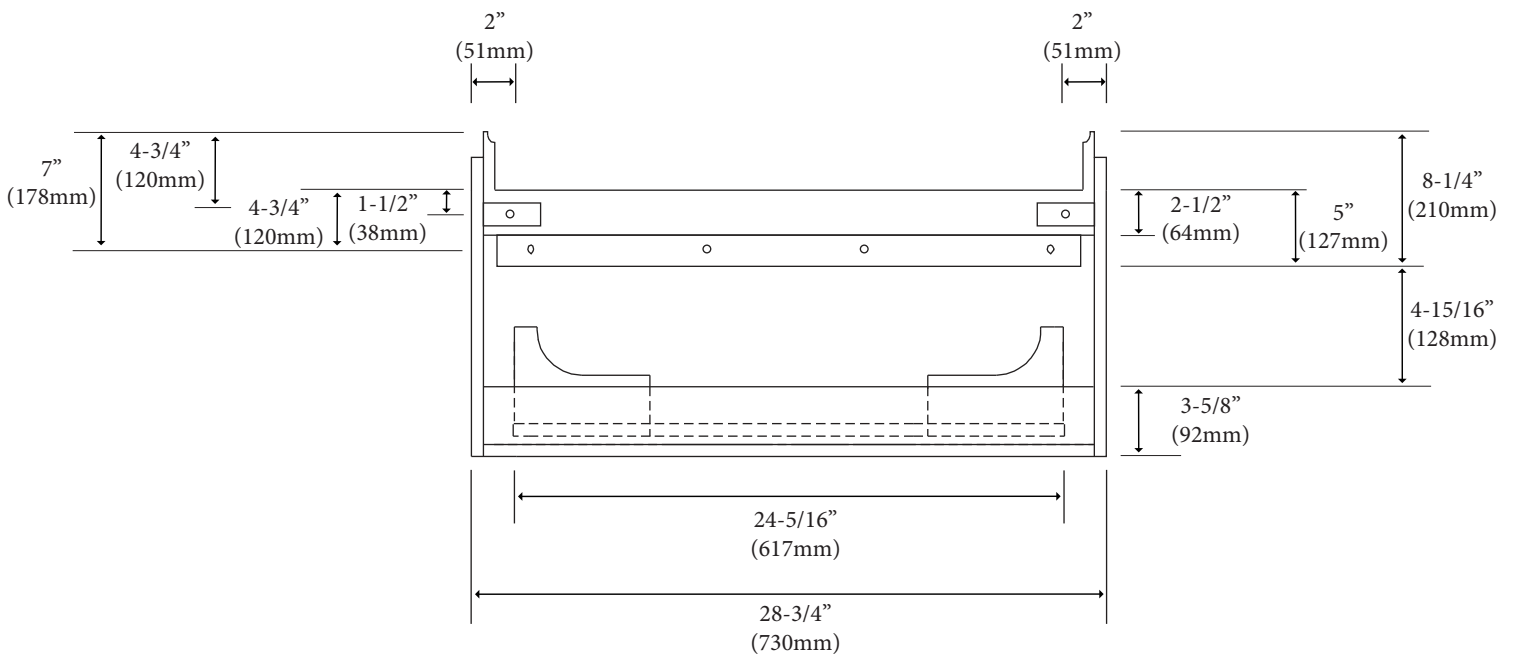
Euro - 36"

Specification & Installation Guide

TOP VIEW

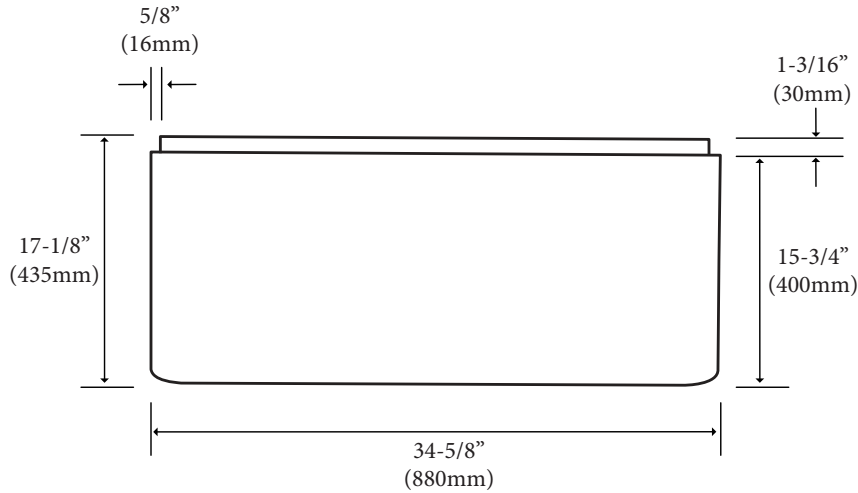


BACK VIEW



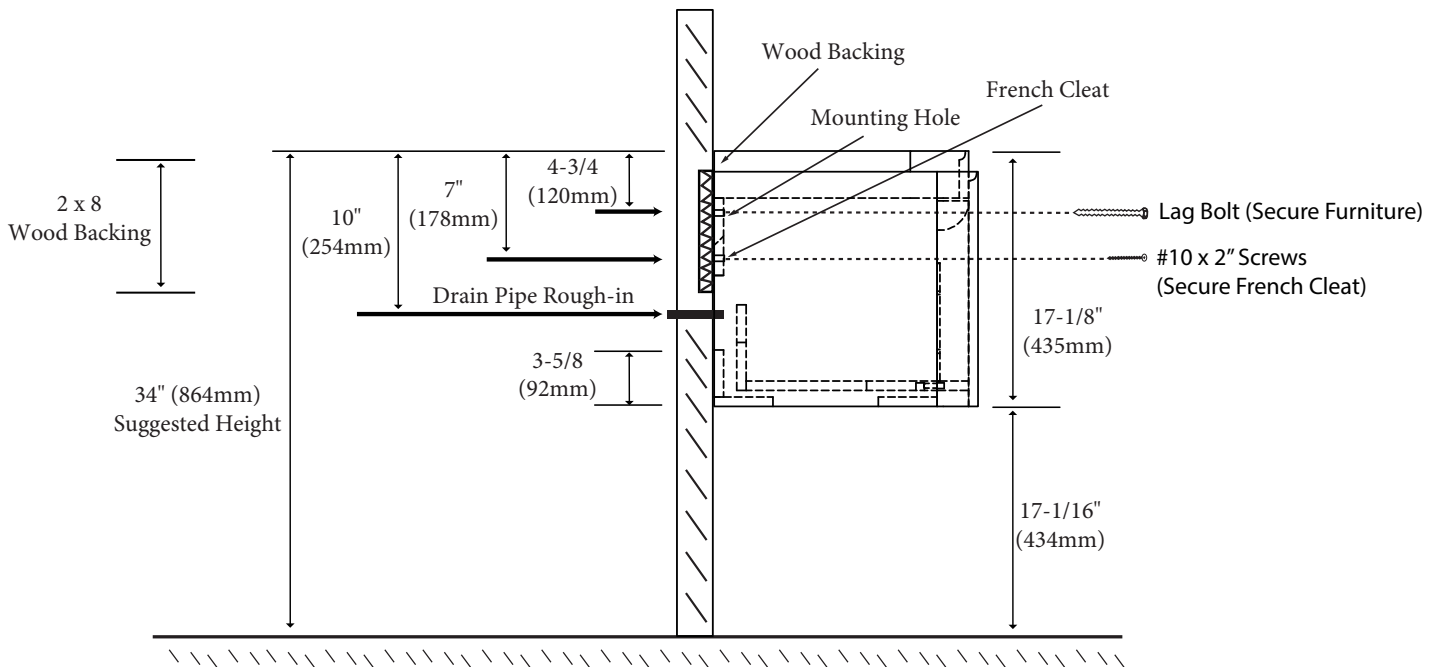
Euro - 36" Specification & Installation Guide

FRONT VIEW



TYPICAL INSTALLATION

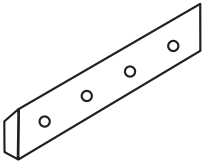




The typical dimensions shown will result in vanity cabinet height of 34" (864mm). Depending on the countertop selected, the total height will vary from 35-3/4" (908mm) to 36" (915mm). If alternate heights are desired, adjust the rough-in and backing material heights using the dimensions provided.



Euro - 36"

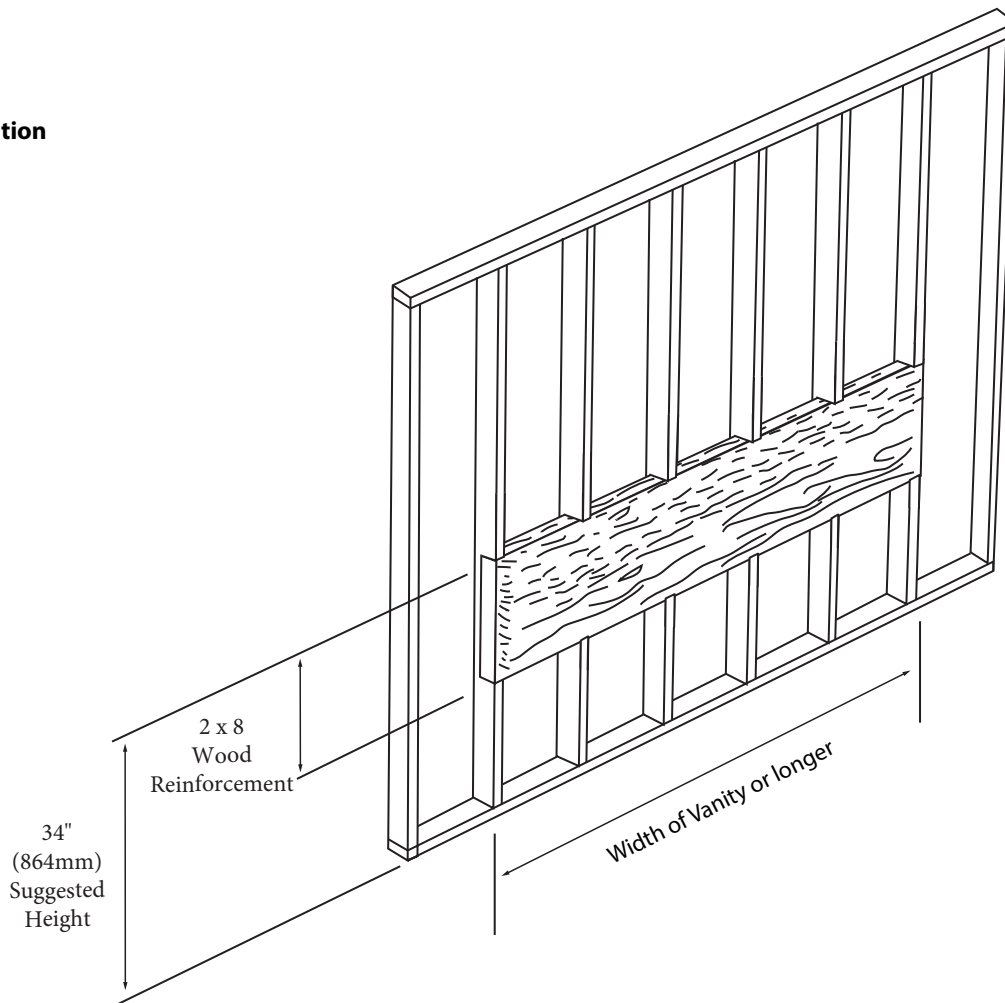
Specification & Installation Guide

INSTALLATION INSTRUCTIONS

Item	French Cleat	#10 x 2" Screws	Anchors	Screw	Silicone (not included)
Qty.	1	4	4	2	1
					

STEP 1

Wall Preparation



For clarification, please contact Madeli Customer Care at (800)-819-6988 or (305)-718-8817 Ext. 1

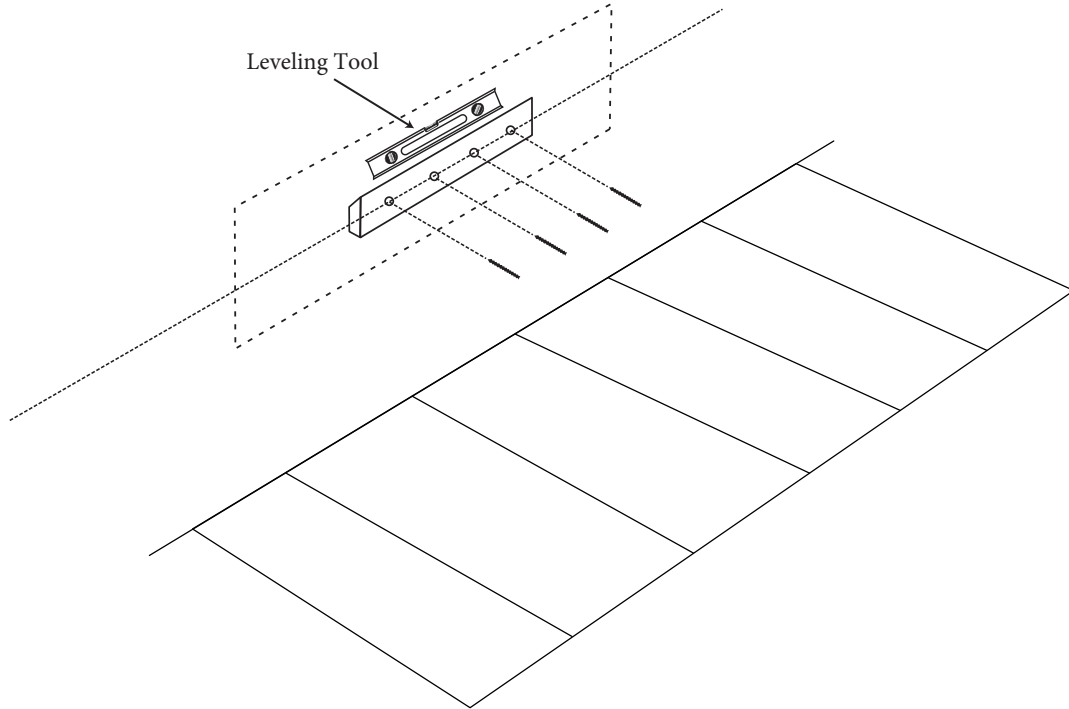
All dimensions are approximate and subject to standard tolerance. Specifications subject to change without prior notice.

Euro - 36"

Specification & Installation Guide

STEP 2

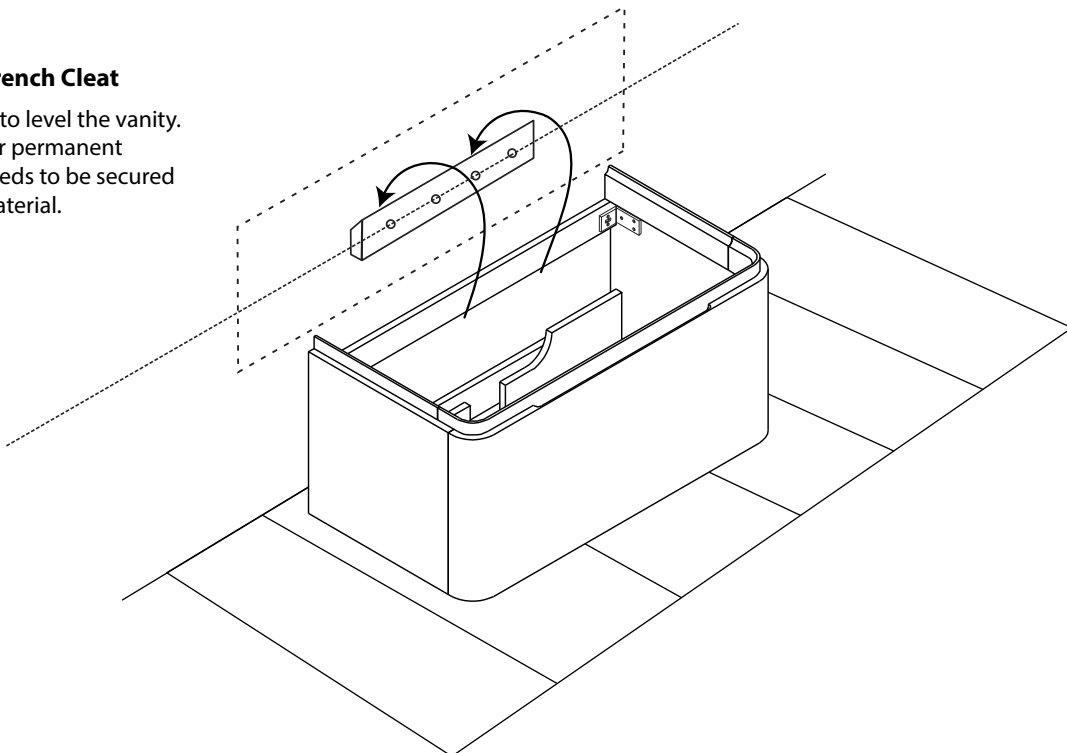
Install French Cleat



STEP 3

Place vanity on French Cleat

French Cleat is only to level the vanity. It is not designed for permanent support. Cabinet needs to be secured to wood backing material.

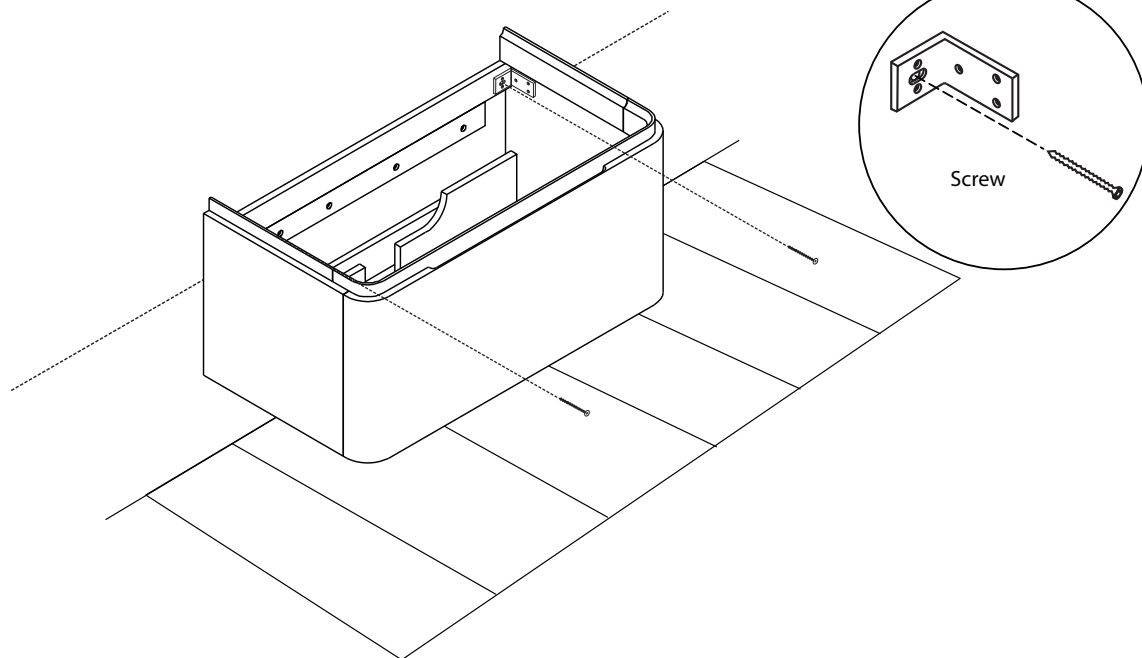


Euro - 36"

Specification & Installation Guide

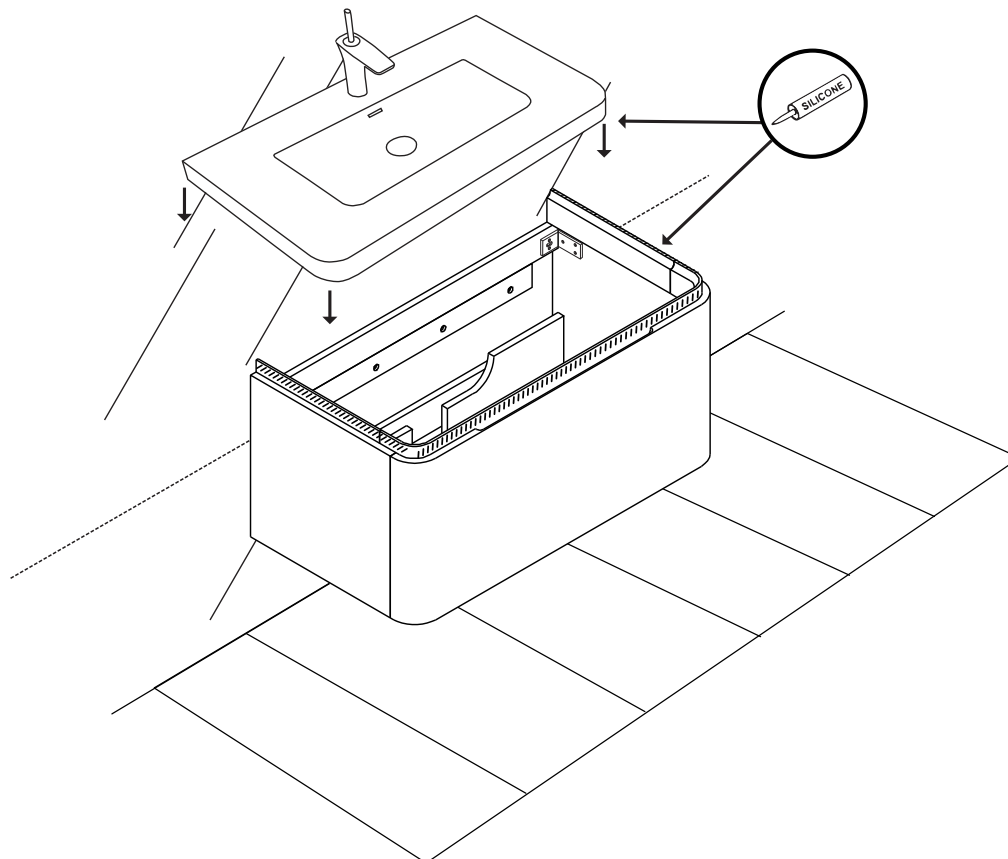
STEP 4

Secure vanity to wood reinforcement backing



STEP 5

Install basin with silicone



For clarification, please contact Madeli Customer Care at (800)-819-6988 or (305)-718-8817 Ext. 1
All dimensions are approximate and subject to standard tolerance. Specifications subject to change without prior notice.